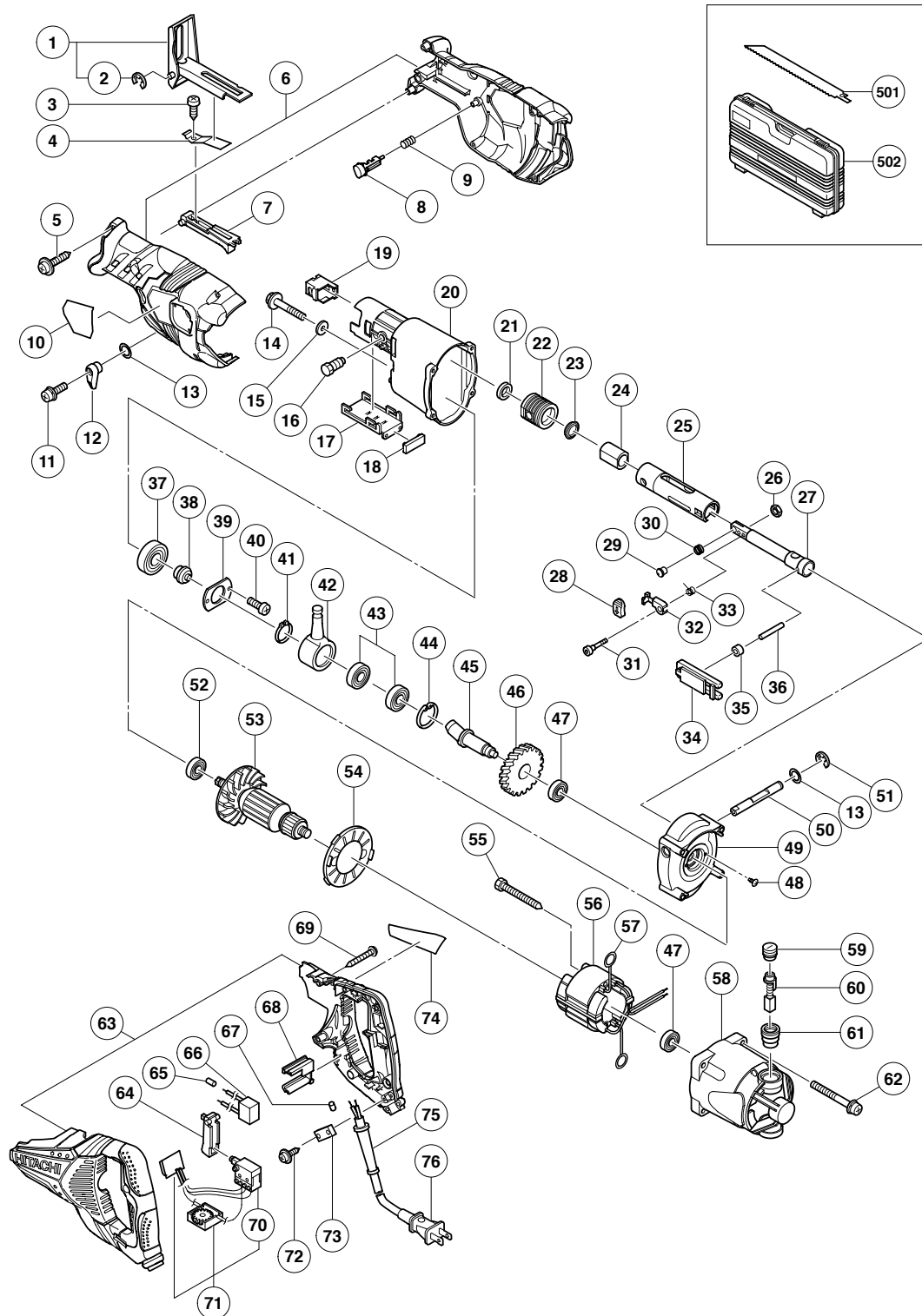


ELECTRIC TOOL PARTS LIST

■ RECIPROCATING SAW Model CR 13VB

2006 · 11 · 7

(E1)



PARTS

CR 13VB

ITEM NO.	CODE NO.	DESCRIPTION	NO. USED	REMARKS
1	326-575	BASE ASS'Y (C)	1	INCLUD. 2
2	872-971	RETAINING RING (E-TYPE) FOR D3 SHAFT	1	
3	310-222	TAPPING SCREW D4X8	1	
4	326-595	HOLD SPRING (C)	1	
5	307-028	TAPPING SCREW (W/FLANGE) D4X25 (BLACK)	9	
6	326-584	FRONT COVER (D),(E) SET	1	
7	326-597	BASE LEVER (C)	1	
8	326-596	PUSHING BUTTON (C)	1	
9	326-594	PUSHING SPRING	1	
10		HITACHI LABEL	1	
11	303-851	SEAL LOCK SCREW (W/WASHERS) M4X10 (BLACK)	1	
12	326-593	CHANGE KNOB (C)	1	
13	872-654	O-RING (1AP-10)	2	
14	318-451	NYLOCK BOLT (W/FLANGE) M6X35	1	
15	318-452	WASHER (G)	1	
16	318-493	BOLT M10	2	
17	326-574	BASE ADAPTER (C)	1	
18	326-779	CUSHION RUBBER (C)	1	
19	326-589	BLADE HOLDER (C)	1	
20	326-582	GEAR COVER (C)	1	
21	318-458	FELT WASHER	1	
22	326-576	SEAL SLEEVE (C)	1	
23	318-459	V-RING	1	
24	326-579	METAL (C)	1	
25	326-578	GUIDE SLEEVE (C) ASS'Y	1	INCLUD. 24
26	949-566	LOCK NUT M5 (10 PCS.)	1	
27	326-580	PLUNGER (C)	1	
28	321-130	CAP	1	
29	321-134	HOLDER PIN (B)	1	
30	318-483	SPRING (B)	1	
31	326-590	SPECIAL BOLT M5	1	
32	326-588	LEVER (C)	1	
33	326-591	BLADE SPRING	1	
34	326-592	SWING RAIL (C)	2	
35	321-136	SWING ROLLER	2	
36	326-585	PIN D6	1	
37	600-3DD	BALL BEARING 6003DDCMPS2S	1	
38	326-587	SUB SHAFT (C)	1	
39	318-476	BEARING COVER (B)	1	
40	326-573	SEAL LOCK SCREW M4X10	2	
41	967-261	RETAINING RING FOR D17 SHAFT	1	
42	326-581	RECIPRO PLATE (C)	1	
43	600-3VV	BALL BEARING 6003VVCMP2L	2	
44	939-556	RETAINING RING FOR D35 HOLE (10 PCS.)	1	
45	326-586	SECOND SHAFT (C)	1	
46	318-473	GEAR	1	
47	608-VVM	BALL BEARING 608VVC2PS2L	2	
48	314-430	SLOTTED HD. SCREW (SEAL LOCK) M4X10	2	
49	326-583	INNER COVER (C)	1	
* 50	326-603	CHANGE SHAFT (C2)	1	
* 50	326-602	CHANGE SHAFT (C1)	1	FOR NZL, AUS

