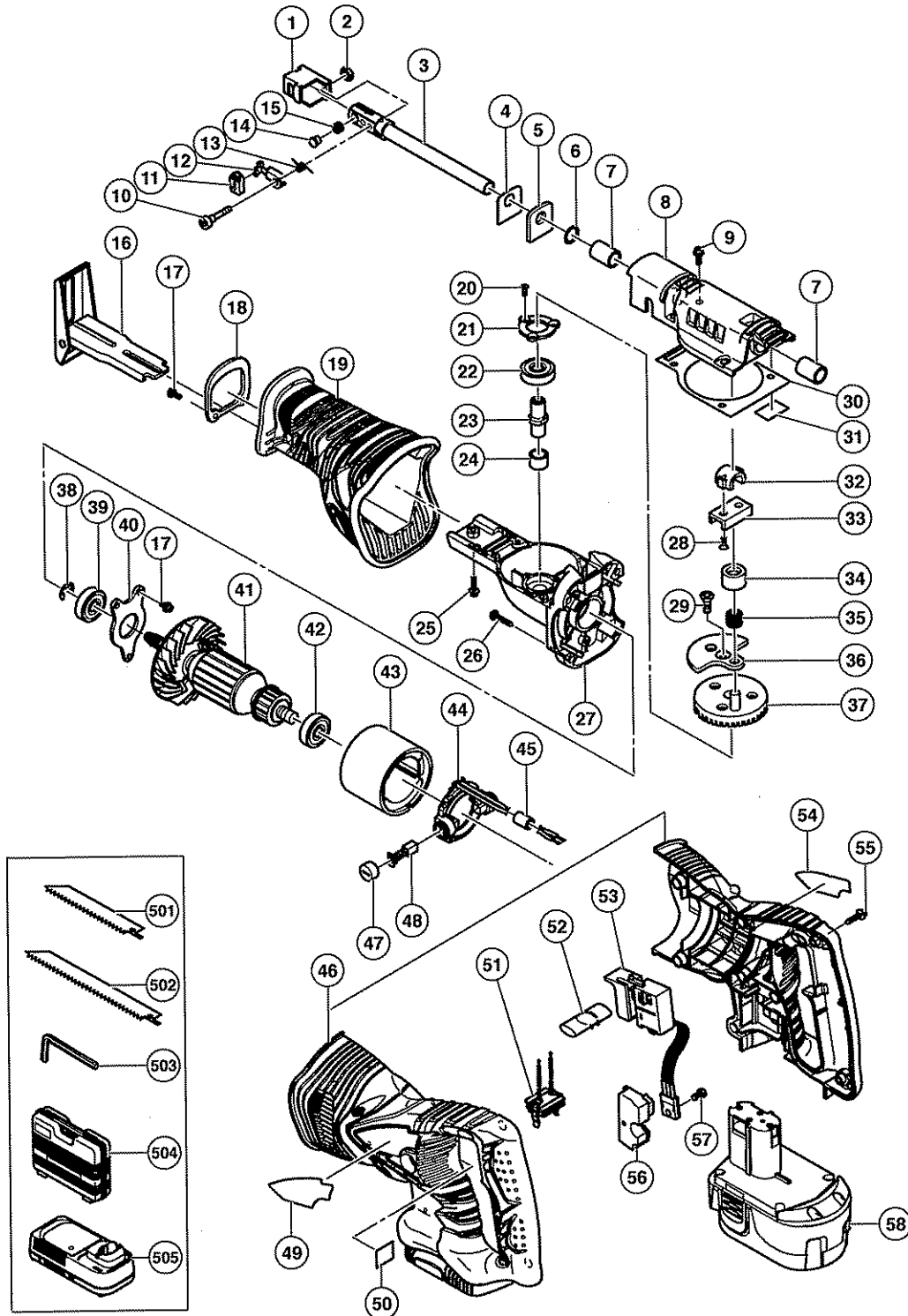


ELECTRIC TOOL PARTS LIST

■ CORDLESS RECIPROCATING SAW 2005 · 4 · 15
Model CR 18DMR (E1)



PARTS

CR 18DMR

ITEM NO.	CODE NO.	DESCRIPTION	NO. USED	REMARKS
1	321-132	BLADE HOLDER (A)	1	
2	322-709	NUT M4 (BLACK)	1	
3	324-472	PLUNGER	1	
4	996-401	PACKING WASHER	1	
5	996-400	FELT PACKING	1	
6	996-407	O-RING (1AP-12)	1	
7	956-589	METAL	2	
8	324-471	UPPER COVER	1	
9	305-574	HEX. SOCKET HD. BOLT (W/SP. WASHER) M5X16	4	
10	322-134	SPECIAL BOLT M4	1	
11	321-130	CAP	1	
12	321-131	LEVER (A)	1	
13	321-135	SPRING (D)	1	
14	321-134	HOLDER PIN (B)	1	
15	318-483	SPRING (B)	1	
16	319-866	BASE	1	
17	951-039	MACHINE SCREW (W/SP. WASHER) M4X12	5	
18	324-474	COVER PLATE	1	
19	324-473	FRONT COVER	1	
20	993-244	SEAL LOCK FLAT HD. SCREW M4X12	3	
21	319-849	BEARING COVER (B)	1	
22	690-1ZZ	BALL BEARING 6901ZZCMPS2L	1	
23	319-848	SPINDLE	1	
24	954-789	METAL (B)	1	
25	996-399	HEX. SOCKET HD. BOLT (W/FLANGE) M5X12	1	
26	986-011	TAPPING SCREW (W/SP. WASHER) D5X30	4	
27	319-844	GEAR COVER ASS'Y	1	INCLUD. 24
28	319-875	SEAL LOCK HEX. SOCKET FLAT HD. BOLT M5X12	2	
29	319-851	NYLOCK HEX. SOCKET FLAT HD. BOLT M6X16	1	
30	319-856	SEAL PACKING	1	
31	319-874	PACKING (B)	1	
32	983-567	CONNECTOR HOLDER	1	
33	996-405	CONNECTOR	1	
34	983-541	CONNECTING PIECE (A)	1	
35	324-470	NEEDLE ROLLER	1	
36	319-852	BALANCE WEIGHT	1	
37	324-469	GEAR	1	
38	670-514	RETAINING RING (E-TYPE) FOR D10 SHAFT	1	
39	600-1VV	BALL BEARING 6001VVCMP2L	1	
40	319-843	BEARING COVER (A)	1	
41	360-703	ARMATURE ASS'Y DC 18V	1	INCLUD. 38-40, 42
42	608-VVM	BALL BEARING 608VVC2PS2L	1	
43	324-468	MAGNET	1	
44	324-478	BRUSH BLOCK	1	
* 45	318-247	FERRITE CORE	1	EXCEPT FOR AUS, NZL, USA, CAN, CHN
46	324-475	HOUSING (A). (B) SET	1	
47	319-847	BRUSH CAP	2	
48	999-058	CARBON BRUSH (1 PAIR)	2	
49		HITACHI LABEL	1	
50		CAUTION LABEL	1	
51	324-517	TERMINAL PIECE	1	

