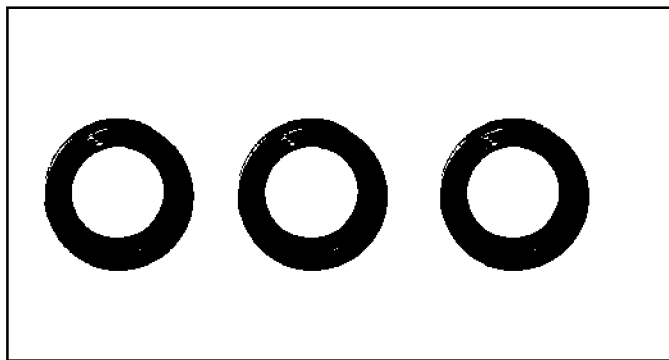
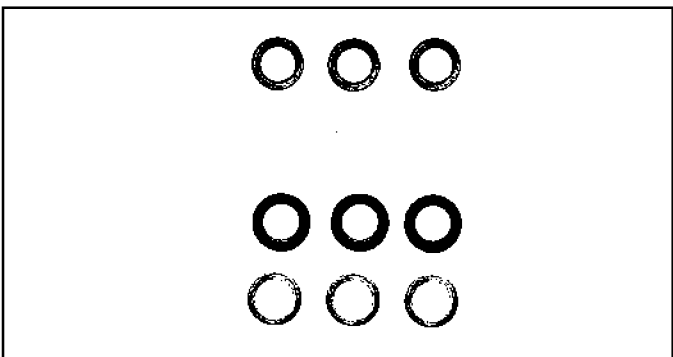


A08927 Valve Kit



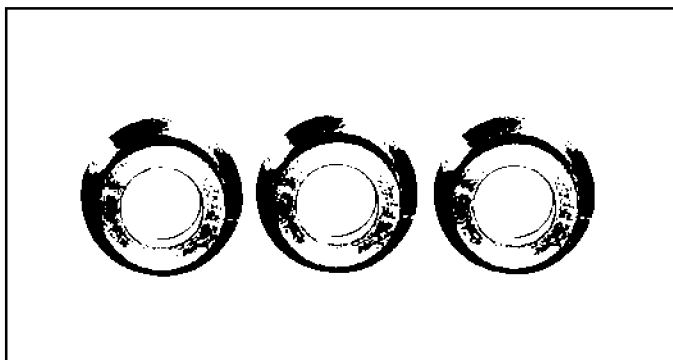
A08928 Oil Seal Kit



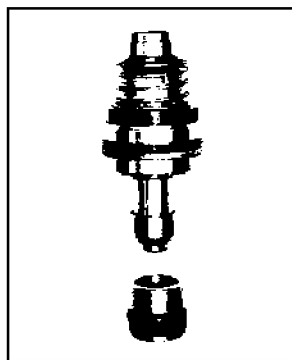
A08929 Water Pack Kit



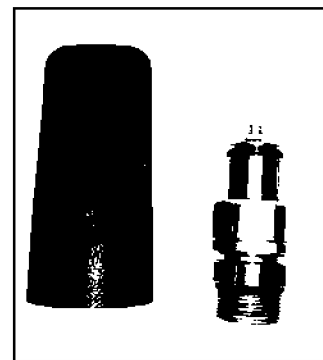
A08930 LP Retainer Kit



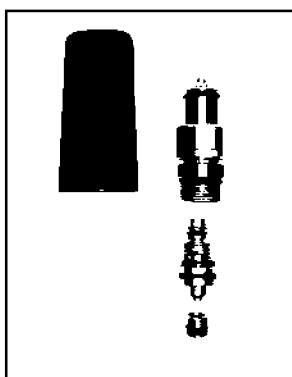
A08931 HP Retainer Kit



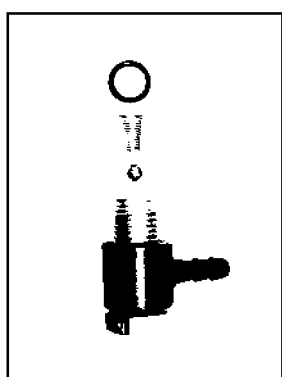
A08932 Lower Unloader Kit



A08933 HP Upper Unloader Kit



A08934 Unloader Kit



A08935 Chemical Injector Kit

## Parts List for DP3900 Type 1

| Item Number | Part Number | Description          | Qty Required |
|-------------|-------------|----------------------|--------------|
| 1           | A03496      | PUMP                 | 1            |
| 2           | A08896      | SCREW                | 4            |
| 3           | P313        | WASHER LOCK GEN 9670 | 4            |
| 9           | A08904      | ORING                | 6            |
| 10          | A08905      | CAP VALVE            | 6            |
| 11          | A08927      | KIT VALVE            | 1            |
| 12          | 15713       | SCREW .250-20X.50 GE | 4            |
| 13          | 15898       | COVER BEARING        | 1            |
| 14          | A08906      | INDICATOR OIL LEVEL  | 1            |
| 15          | 15727       | ORING                | 2            |
| 17          | A08928      | KIT OIL SEAL         | 1            |
| 19          | P467        | DIPSTICK             | 1            |
| 22          | A08907      | GUIDE PLUNGER        | 3            |
| 23          | A08908      | ROD CONNECTING       | 3            |
| 24          | A08909      | ORING COVER          | 1            |
| 25          | A08910      | COVER REAR CRANKCASE | 1            |
| 26          | A08911      | SCREW                | 1            |
| 27          | A08912      | ORING                | 1            |
| 28          | A08913      | PLUG                 | 2            |
| 29          | A08914      | PIN CON ROD          | 3            |
| 30          | A08915      | FLINGER WASHER       | 3            |
| 31          | A08916      | RING ANTI EXTRUSION  | 3            |
| 32          | A08917      | ORING                | 3            |
| 33          | P619        | PLUNGER CERAMIC GEN  | 3            |
| 34          | A08918      | BUSHING              | 3            |
| 35          | 15838       | NUT PLUNGER GEN 9222 | 3            |
| 40          | A08930      | RETAINER             | 1            |

COPYRIGHT© 2005. All Rights Reserved.

Parts list, pricing, and availability subject to change. Please visit [www.dewaltservicenet.com](http://www.dewaltservicenet.com) for current parts information.

## Parts List for DP3900 Type 1

| Item Number | Part Number | Description          | Qty Required |
|-------------|-------------|----------------------|--------------|
| 41          | A08929      | KIT WATER PACK       | 1            |
| 42          | 5140058-69  | O-RING               | 3            |
| 43          | A08931      | RETAINER             | 1            |
| 49          | A08919      | INDICATOR OIL LEVEL  | 1            |
| 50          | A08920      | ORING                | 1            |
| 61          | A08921      | FLANGE ENGINE        | 1            |
| 62          | 5140046-41  | OIL SEAL             | 1            |
| 63          | A08922      | WASHER               | 4            |
| 64          | A08923      | SCREW                | 4            |
| 91          | A08934      | KIT UNLOADER         | 1            |
| 91          | 5140047-15  | HANDLE               | 1            |
| 120         | P064        | ORING GEN 90383200   | 1            |
| 121         | A08924      | NIPPLE               | 1            |
| 130         | A08925      | ORING                | 1            |
| 131         | A08926      | NOZZLE               | 1            |
| 132         | A08935      | INJECTOR CHEMICAL    | 1            |
| 201         | A08642      | ENGINE               | 1            |
| 202         | D23124      | LABEL, WARNING       | 1            |
| 203         | A14552      | LABEL HOT SURFACE    | 1            |
| 205         | A03496      | PUMP                 | 1            |
| 206         | A20826      | WARNING LABEL        | 1            |
| 208         | A11349      | BOLT .375-16X1.25 FL | 4            |
| 209         | A13853      | FRAME                | 1            |
| 210         | A14639      | HANDLE               | 1            |
| 211         | A18466      | NUT                  | 4            |
| 212         | 18300       | BOLT .375-16X1.75 FL | 4            |
| 213         | A14452      | TIRE, PNEUMATIC      | 2            |

COPYRIGHT© 2005. All Rights Reserved.

Parts list, pricing, and availability subject to change. Please visit [www.dewaltservicenet.com](http://www.dewaltservicenet.com) for current parts information.

## Parts List for DP3900 Type 1

| Item Number | Part Number | Description          | Qty Required |
|-------------|-------------|----------------------|--------------|
| 214         | D30249      | COLLER AXLE SET SCRE | 2            |
| 215         | A16267      | LABEL WARNING        | 1            |
| 216         | A16268      | LABEL WARNING        | 1            |
| 217         | A16269      | LABEL WARNING        | 1            |
| 218         | H140        | HOSE ASSY CHEMICAL   | 1            |
| 219         | D21436      | SCREW .250-20X.750 U | 2            |
| 220         | D21437      | NUT.250-20 FLANGEHEA | 2            |
| 221         | D22268      | ISOLATOR RECESSED RU | 2            |
| 222         | NCT001      | TOOL NOZZLE CLEANING | 1            |
| 223         | D30374      | NOZZLE HOLDER RUBBER | 1            |
| 224         | 17730       | NOZZLE KIT 4.5 5 PAC | 1            |
| 225         | 90510760    | GUN                  | 1            |
| 225         | F179        | ORING 1/4 QC         | 1            |
| 226         | N000579     | HOSE ASSEMBLY        | 1            |
| 226         | A20559      | HOSE ASSEMBLY        | 1            |
| 227         | A21252      | LANCE EXT            | 1            |
| 228         | A19985      | SOCKET QUIK CONNECT  | 1            |
| 229         | D30492      | BUTTON SNAP .302 DIA | 2            |
| 230         | A20817      | NAMEPLATE            | 1            |
| 231         | 17086       | REEL HOSE 100 CAP 3/ | 1            |
| 232         | A16255      | HANDLE               | 1            |
| 233         | 16087       | NUT .313-18 UNC FLAN | 4            |
| 234         | F064        | SCREW .313-18X1.00 H | 4            |
| 238         | F039        | PLUG QUICK CONNECT F | 1            |
| 239         | 17657       | VALVE THERMAL RELIEF | 1            |
| 241         | A08076      | HOSE                 | 1            |
| 242         | S065        | CLAMP PRESS WASHER   | 2            |

COPYRIGHT© 2005. All Rights Reserved.

Parts list, pricing, and availability subject to change. Please visit [www.dewaltservicenet.com](http://www.dewaltservicenet.com) for current parts information.

## Parts List for DP3900 Type 1

| Item Number | Part Number | Description        | Qty Required |
|-------------|-------------|--------------------|--------------|
| 250         | 90509698    | SIDE HANDLE        | 1            |
| 251         | 90510816    | NAMEPLATE          | 1            |
| 252         | 90510282    | WARNING LABEL      | 1            |
| 253         | 90510283    | WARNING LABEL      | 1            |
| 256         | A06754      | VALVE              | 1            |
| 257         | 17098       | FILTER INLINE ASSY | 1            |
| 260         | A15412      | SCREW              | 4            |
| 261         | A14647      | PLATE              | 1            |
| 401         | 285805-44   | GASKET             | 1            |
| 402         | 285807-16   | ELEMENT            | 1            |
| 403         | 285807-17   | FILTER             | 1            |
| 404         | 285807-18   | COVER              | 1            |
| 405         | 285800-05   | GROMMET            | 1            |
| 406         | 285805-48   | COLLAR             | 2            |
| 407         | 285800-07   | COLLAR             | 1            |
| 408         | 285807-20   | ELBOW              | 1            |
| 409         | 285800-46   | NUT                | 2            |
| 411         | 285800-11   | WING NUT           | 2            |
| 412         | 285807-19   | NOSE               | 1            |
| 413         | 285805-50   | BOLT               | 1            |
| 419         | 285803-03   | FAN                | 1            |
| 420         | 285807-01   | FLYWHEEL           | 1            |
| 421         | 285803-05   | NUT                | 1            |
| 422         | 285803-06   | KEY                | 1            |
| 423         | 285807-00   | PULLEY             | 1            |
| 424         | 285803-08   | WEIGHT             | 1            |
| 425         | 285806-95   | CRANKSHAFT         | 1            |

COPYRIGHT© 2005. All Rights Reserved.

Parts list, pricing, and availability subject to change. Please visit [www.dewaltservicenetwork.com](http://www.dewaltservicenetwork.com) for current parts information.

## Parts List for DP3900 Type 1

| Item Number | Part Number | Description   | Qty Required |
|-------------|-------------|---------------|--------------|
| 426         | 285806-09   | BALL BEARING  | 1            |
| 427         | 285806-10   | CAMSHAFT      | 1            |
| 428         | 285803-11   | PUSH ROD      | 2            |
| 429         | 285803-12   | ARM           | 2            |
| 430         | 285803-13   | LIFTER        | 2            |
| 431         | 285800-18   | PIVOT         | 2            |
| 432         | 285800-19   | SPRING        | 1            |
| 433         | 285803-14   | INTAKE VALVE  | 1            |
| 434         | 285803-15   | VALVE         | 1            |
| 435         | 285803-16   | SPRING        | 2            |
| 436         | 285803-17   | RETAINER      | 1            |
| 437         | 285803-18   | RETAINER      | 1            |
| 438         | 285803-19   | SEAT          | 1            |
| 439         | 285803-20   | ROTATOR VALVE | 1            |
| 440         | 285803-21   | PLATE         | 1            |
| 441         | 285800-27   | BOLT          | 2            |
| 442         | 285800-28   | NUT           | 2            |
| 443         | 285803-22   | SEAL          | 1            |
| 447         | 285805-51   | GASKET SET    | 1            |
| 448         | 285803-76   | VALVE SET     | 1            |
| 449         | 285803-77   | FLOAT SET     | 1            |
| 450         | 285805-61   | CHAMBER SET   | 1            |
| 451         | 285800-51   | SET SCREW     | 1            |
| 452         | 285800-52   | SET SCREW     | 1            |
| 453         | 285800-53   | SET SCREW     | 1            |
| 454         | 285806-82   | CHOKE SET     | 1            |
| 455         | 285806-83   | CARBURETOR    | 1            |

COPYRIGHT© 2005. All Rights Reserved.

Parts list, pricing, and availability subject to change. Please visit [www.dewaltservicenet.com](http://www.dewaltservicenet.com) for current parts information.

## Parts List for DP3900 Type 1

| Item Number | Part Number | Description    | Qty Required |
|-------------|-------------|----------------|--------------|
| 456         | 285800-56   | SCREW          | 1            |
| 457         | 285806-84   | NOZZLE         | 1            |
| 458         | 285800-58   | O-RING         | 1            |
| 459         | 285806-85   | INSULATOR      | 1            |
| 460         | 285806-05   | GASKET         | 1            |
| 461         | 285805-56   | SPACER         | 1            |
| 462         | 285806-04   | GASKET         | 1            |
| 463         | 285800-63   | LEVER          | 1            |
| 464         | 285800-64   | LEVER          | 1            |
| 465         | 285800-65   | PLATE          | 1            |
| 466         | 285800-66   | SPRING         | 1            |
| 467         | 285800-67   | GASKET         | 1            |
| 468         | 285800-68   | CUP            | 1            |
| 469         | 285800-69   | SCREW          | 2            |
| 470         | 285800-70   | PIN            | 1            |
| 471         | 285806-87   | MAIN JET       | 1            |
| 471         | 285806-86   | MAIN JET       | 1            |
| 471         | 285805-59   | MAIN JET       | 1            |
| 472         | 285804-58   | JET            | 1            |
| 473         | 285802-81   | OIL SEAL       | 1            |
| 474         | 285801-10   | O-RING         | 1            |
| 475         | 285801-11   | NUT            | 1            |
| 476         | 285802-82   | WASHER         | 2            |
| 477         | 285802-83   | LOCK PIN       | 1            |
| 478         | 285801-14   | BOLT           | 2            |
| 479         | 285802-70   | BEARING        | 1            |
| 480         | 285801-22   | OIL ALERT UNIT | 1            |

COPYRIGHT© 2005. All Rights Reserved.

Parts list, pricing, and availability subject to change. Please visit [www.dewaltservicenet.com](http://www.dewaltservicenet.com) for current parts information.

## Parts List for DP3900 Type 1

| Item Number | Part Number | Description   | Qty Required |
|-------------|-------------|---------------|--------------|
| 481         | 285800-41   | BOLT          | 1            |
| 482         | 285802-85   | CYLINDER HEAD | 1            |
| 483         | 285802-86   | GUIDE         | 1            |
| 484         | 285802-87   | GUIDE         | 1            |
| 485         | 285802-88   | CLIP          | 1            |
| 486         | 285806-22   | GASKET        | 1            |
| 487         | 285802-90   | COVER         | 1            |
| 488         | 285802-91   | GASKET        | 1            |
| 489         | 285802-92   | BOLT          | 1            |
| 490         | 285806-97   | BOLT          | 2            |
| 491         | 285803-51   | TUBE          | 1            |
| 492         | 285802-95   | BOLT          | 2            |
| 493         | 285802-96   | WASHER        | 1            |
| 494         | 285802-97   | PIN           | 1            |
| 495         | 285804-79   | BOLT          | 4            |
| 496         | 285800-98   | SPARK PLUG    | 1            |
| 497         | 285803-39   | STARTER ASSY. | 1            |
| 498         | 285803-40   | CASE          | 1            |
| 499         | 285803-41   | PULLEY        | 1            |
| 500         | 285803-42   | RATCHET       | 2            |
| 501         | 285803-43   | SPRING        | 1            |
| 502         | 285803-44   | SPRING        | 1            |
| 503         | 285804-38   | BOLT          | 2            |
| 504         | 285803-46   | RETAINER      | 1            |
| 505         | 285803-45   | SPRING        | 1            |
| 506         | 285803-48   | GRIP          | 1            |
| 507         | 285803-49   | ROPE          | 1            |

COPYRIGHT© 2005. All Rights Reserved.

Parts list, pricing, and availability subject to change. Please visit [www.dewaltservicenet.com](http://www.dewaltservicenet.com) for current parts information.



## Parts List for DP3900 Type 1

| Item Number | Part Number | Description    | Qty Required |
|-------------|-------------|----------------|--------------|
| 508         | 285802-71   | OIL SEAL       | 1            |
| 510         | 285803-50   | SCREW          | 1            |
| 511         | 285802-79   | WASHER         | 1            |
| 533         | 285801-33   | RUBBER TUBE    | 1            |
| 534         | 285801-34   | JOINT          | 1            |
| 535         | 285807-02   | TANK           | 1            |
| 536         | 285807-03   | FUEL CAP       | 1            |
| 537         | 285807-04   | GASKET         | 1            |
| 538         | 285801-10   | O-RING         | 1            |
| 539         | 285803-72   | NUT            | 2            |
| 540         | 285801-40   | HOSE           | 1            |
| 541         | 285801-41   | CLIP           | 4            |
| 542         | 285805-87   | BOLT           | 2            |
| 543         | 285801-53   | BOLT           | 3            |
| 547         | 285803-84   | COLLAR         | 1            |
| 567         | 285807-05   | MUFFLER        | 1            |
| 568         | 285807-06   | PROTECTOR      | 1            |
| 569         | 285807-07   | PROTECTOR      | 1            |
| 570         | 285805-92   | EXHAUST PIPE   | 1            |
| 571         | 285807-08   | CAP            | 1            |
| 572         | 285807-09   | GASKET         | 1            |
| 573         | 285807-10   | SPARK ARRESTOR | 1            |
| 574         | 285805-95   | GASKET         | 1            |
| 575         | 285800-41   | BOLT           | 1            |
| 576         | 285801-71   | SCREW          | 5            |
| 577         | 285801-72   | SCREW          | 3            |
| 578         | 285803-72   | NUT            | 5            |

COPYRIGHT© 2005. All Rights Reserved.

Parts list, pricing, and availability subject to change. Please visit [www.dewaltservicenet.com](http://www.dewaltservicenet.com) for current parts information.

## Parts List for DP3900 Type 1

| Item Number | Part Number | Description    | Qty Required |
|-------------|-------------|----------------|--------------|
| 579         | 285807-12   | CAUTION LABEL  | 1            |
| 580         | 285807-11   | SCREW          | 1            |
| 583         | 285804-86   | IGNITION COIL  | 1            |
| 584         | 285801-30   | CAPACITOR ASSY | 1            |
| 588         | 285804-24   | GROMMET        | 1            |
| 589         | 285804-88   | WIRE           | 1            |
| 593         | 285802-29   | BOLT           | 2            |
| 594         | 285806-23   | EMBLEM         | 1            |
| 599         | 285805-86   | FILTER         | 1            |
| 602         | 285806-93   | COVER ASSEMBLY | 1            |
| 603         | 285804-36   | GASKET         | 1            |
| 604         | 285800-77   | CAP ASSY.      | 1            |
| 605         | 285802-74   | CAP ASSY.      | 1            |
| 606         | 285800-78   | GASKET         | 2            |
| 607         | 285802-64   | GOVERNOR       | 1            |
| 608         | 285802-66   | WEIGHT         | 2            |
| 609         | 285802-65   | HOLDER         | 1            |
| 610         | 285802-67   | PIN            | 1            |
| 611         | 285802-68   | SLIDER         | 1            |
| 612         | 285801-07   | CLIP           | 1            |
| 613         | 285802-73   | DOWEL PIN      | 2            |
| 614         | 285802-71   | OIL SEAL       | 1            |
| 615         | 285801-12   | WASHER         | 1            |
| 616         | 285802-72   | BOLT           | 1            |
| 617         | 285802-70   | BEARING        | 1            |
| 618         | 285802-69   | BEARING        | 1            |
| 620         | 285805-77   | KEY            | 1            |

COPYRIGHT© 2005. All Rights Reserved.

Parts list, pricing, and availability subject to change. Please visit [www.dewaltservicenet.com](http://www.dewaltservicenet.com) for current parts information.

## Parts List for DP3900 Type 1

| Item Number | Part Number | Description   | Qty Required |
|-------------|-------------|---------------|--------------|
| 626         | 285805-80   | CLIP          | 1            |
| 629         | 285806-90   | CONTROL ASSY  | 1            |
| 630         | 285806-88   | ARM           | 1            |
| 631         | 285803-25   | ROD           | 1            |
| 632         | 285803-26   | SPRING        | 1            |
| 633         | 285806-89   | SPRING        | 1            |
| 634         | 285806-91   | CONTROL LEVER | 1            |
| 635         | 285800-35   | SPRING        | 1            |
| 636         | 285805-66   | WASHER        | 1            |
| 637         | 285800-37   | HOLDER        | 1            |
| 638         | 285805-67   | SPACER        | 1            |
| 639         | 285800-39   | SPRING        | 1            |
| 640         | 285805-69   | SPRING        | 1            |
| 641         | 285800-41   | BOLT          | 2            |
| 642         | 285800-42   | BOLT          | 1            |
| 643         | 285800-43   | NUT           | 1            |
| 644         | 285806-92   | SCREW         | 1            |
| 645         | 285802-21   | SCREW         | 1            |
| 646         | 285800-46   | NUT           | 1            |
| 654         | 285806-13   | RING SET      | 1            |
| 654         | 285806-14   | RING SET      | 1            |
| 654         | 285806-12   | RING SET      | 1            |
| 654         | 285806-24   | RING SET      | 1            |
| 655         | 285806-17   | PISTON        | 1            |
| 655         | 285806-18   | PISTON        | 1            |
| 655         | 285806-15   | PISTON        | 1            |
| 655         | 285806-16   | PISTON        | 1            |

COPYRIGHT© 2005. All Rights Reserved.

Parts list, pricing, and availability subject to change. Please visit [www.dewaltservicenet.com](http://www.dewaltservicenet.com) for current parts information.

## Parts List for DP3900 Type 1

| Item Number | Part Number | Description    | Qty Required |
|-------------|-------------|----------------|--------------|
| 656         | 285807-15   | PIN            | 1            |
| 657         | 285806-20   | CONNECTING ROD | 1            |
| 657         | 285806-19   | CONNECTING ROD | 1            |
| 658         | 285803-37   | BOLT           | 2            |
| 659         | 285803-38   | CLIP           | 2            |
| 660         | 285806-98   | COVER          | 1            |
| 661         | 285803-00   | SHROUD         | 1            |
| 662         | 285806-99   | SWITCH ASSY.   | 1            |
| 663         | 285800-41   | BOLT           | 6            |
| 664         | 285805-82   | CLIP           | 1            |
| 665         | A08642      | ENGINE         | 1            |
| 666         | 285802-76   | SWITCH ASSY    | 1            |
| 667         | 285802-77   | SHAFT          | 1            |
| 675         | 285801-75   | LABEL          | 1            |
| 676         | 285805-88   | LABEL          | 1            |
| 678         | 285801-78   | LABEL          | 1            |

COPYRIGHT© 2005. All Rights Reserved.

Parts list, pricing, and availability subject to change. Please visit [www.dewaltservicenet.com](http://www.dewaltservicenet.com) for current parts information.



## Parts List for DP3900 Type 1

| Item Number | Part Number | Description          | Qty Required |
|-------------|-------------|----------------------|--------------|
| 1           | A03496      | PUMP                 | 1            |
| 2           | A08896      | SCREW                | 4            |
| 3           | P313        | WASHER LOCK GEN 9670 | 4            |
| 9           | A08904      | ORING                | 6            |
| 10          | A08905      | CAP VALVE            | 6            |
| 11          | A08927      | KIT VALVE            | 1            |
| 12          | 15713       | SCREW .250-20X.50 GE | 4            |
| 13          | 15898       | COVER BEARING        | 1            |
| 14          | A08906      | INDICATOR OIL LEVEL  | 1            |
| 15          | 15727       | ORING                | 2            |
| 17          | A08928      | KIT OIL SEAL         | 1            |
| 19          | P467        | DIPSTICK             | 1            |
| 22          | A08907      | GUIDE PLUNGER        | 3            |
| 23          | A08908      | ROD CONNECTING       | 3            |
| 24          | A08909      | ORING COVER          | 1            |
| 25          | A08910      | COVER REAR CRANKCASE | 1            |
| 26          | A08911      | SCREW                | 1            |
| 27          | A08912      | ORING                | 1            |
| 28          | A08913      | PLUG                 | 2            |
| 29          | A08914      | PIN CON ROD          | 3            |
| 30          | A08915      | FLINGER WASHER       | 3            |
| 31          | A08916      | RING ANTI EXTRUSION  | 3            |
| 32          | A08917      | ORING                | 3            |
| 33          | P619        | PLUNGER CERAMIC GEN  | 3            |
| 34          | A08918      | BUSHING              | 3            |
| 35          | 15838       | NUT PLUNGER GEN 9222 | 3            |
| 40          | A08930      | RETAINER             | 1            |

COPYRIGHT© 2005. All Rights Reserved.

Parts list, pricing, and availability subject to change. Please visit [www.dewaltservicenet.com](http://www.dewaltservicenet.com) for current parts information.

## Parts List for DP3900 Type 1

| Item Number | Part Number | Description          | Qty Required |
|-------------|-------------|----------------------|--------------|
| 41          | A08929      | KIT WATER PACK       | 1            |
| 42          | 5140058-69  | O-RING               | 3            |
| 43          | A08931      | RETAINER             | 1            |
| 49          | A08919      | INDICATOR OIL LEVEL  | 1            |
| 50          | A08920      | ORING                | 1            |
| 61          | A08921      | FLANGE ENGINE        | 1            |
| 62          | 5140046-41  | OIL SEAL             | 1            |
| 63          | A08922      | WASHER               | 4            |
| 64          | A08923      | SCREW                | 4            |
| 91          | A08934      | KIT UNLOADER         | 1            |
| 91          | 5140047-15  | HANDLE               | 1            |
| 120         | P064        | ORING GEN 90383200   | 1            |
| 121         | A08924      | NIPPLE               | 1            |
| 130         | A08925      | ORING                | 1            |
| 131         | A08926      | NOZZLE               | 1            |
| 132         | A08935      | INJECTOR CHEMICAL    | 1            |
| 201         | A08642      | ENGINE               | 1            |
| 202         | D23124      | LABEL, WARNING       | 1            |
| 203         | A14552      | LABEL HOT SURFACE    | 1            |
| 205         | A03496      | PUMP                 | 1            |
| 206         | A20826      | WARNING LABEL        | 1            |
| 208         | A11349      | BOLT .375-16X1.25 FL | 4            |
| 209         | A13853      | FRAME                | 1            |
| 210         | A14639      | HANDLE               | 1            |
| 211         | A18466      | NUT                  | 4            |
| 212         | 18300       | BOLT .375-16X1.75 FL | 4            |
| 213         | A14452      | TIRE, PNEUMATIC      | 2            |

COPYRIGHT© 2005. All Rights Reserved.

Parts list, pricing, and availability subject to change. Please visit [www.dewaltservicenet.com](http://www.dewaltservicenet.com) for current parts information.

## Parts List for DP3900 Type 1

| Item Number | Part Number | Description          | Qty Required |
|-------------|-------------|----------------------|--------------|
| 214         | D30249      | COLLER AXLE SET SCRE | 2            |
| 215         | A16267      | LABEL WARNING        | 1            |
| 216         | A16268      | LABEL WARNING        | 1            |
| 217         | A16269      | LABEL WARNING        | 1            |
| 218         | H140        | HOSE ASSY CHEMICAL   | 1            |
| 219         | D21436      | SCREW .250-20X.750 U | 2            |
| 220         | D21437      | NUT.250-20 FLANGEHEA | 2            |
| 221         | D22268      | ISOLATOR RECESSED RU | 2            |
| 222         | NCT001      | TOOL NOZZLE CLEANING | 1            |
| 223         | D30374      | NOZZLE HOLDER RUBBER | 1            |
| 224         | 17730       | NOZZLE KIT 4.5 5 PAC | 1            |
| 225         | 90510760    | GUN                  | 1            |
| 225         | F179        | ORING 1/4 QC         | 1            |
| 226         | N000579     | HOSE ASSEMBLY        | 1            |
| 226         | A20559      | HOSE ASSEMBLY        | 1            |
| 227         | A21252      | LANCE EXT            | 1            |
| 228         | A19985      | SOCKET QUIK CONNECT  | 1            |
| 229         | D30492      | BUTTON SNAP .302 DIA | 2            |
| 230         | A20817      | NAMEPLATE            | 1            |
| 231         | 17086       | REEL HOSE 100 CAP 3/ | 1            |
| 232         | A16255      | HANDLE               | 1            |
| 233         | 16087       | NUT .313-18 UNC FLAN | 4            |
| 234         | F064        | SCREW .313-18X1.00 H | 4            |
| 238         | F039        | PLUG QUICK CONNECT F | 1            |
| 239         | 17657       | VALVE THERMAL RELIEF | 1            |
| 241         | A08076      | HOSE                 | 1            |
| 242         | S065        | CLAMP PRESS WASHER   | 2            |

COPYRIGHT© 2005. All Rights Reserved.

Parts list, pricing, and availability subject to change. Please visit [www.dewaltservicenetwork.com](http://www.dewaltservicenetwork.com) for current parts information.



## Parts List for DP3900 Type 1

| Item Number | Part Number | Description        | Qty Required |
|-------------|-------------|--------------------|--------------|
| 250         | 90509698    | SIDE HANDLE        | 1            |
| 251         | 90510816    | NAMEPLATE          | 1            |
| 252         | 90510282    | WARNING LABEL      | 1            |
| 253         | 90510283    | WARNING LABEL      | 1            |
| 256         | A06754      | VALVE              | 1            |
| 257         | 17098       | FILTER INLINE ASSY | 1            |
| 260         | A15412      | SCREW              | 4            |
| 261         | A14647      | PLATE              | 1            |
| 401         | 285805-44   | GASKET             | 1            |
| 402         | 285807-16   | ELEMENT            | 1            |
| 403         | 285807-17   | FILTER             | 1            |
| 404         | 285807-18   | COVER              | 1            |
| 405         | 285800-05   | GROMMET            | 1            |
| 406         | 285805-48   | COLLAR             | 2            |
| 407         | 285800-07   | COLLAR             | 1            |
| 408         | 285807-20   | ELBOW              | 1            |
| 409         | 285800-46   | NUT                | 2            |
| 411         | 285800-11   | WING NUT           | 2            |
| 412         | 285807-19   | NOSE               | 1            |
| 413         | 285805-50   | BOLT               | 1            |
| 419         | 285803-03   | FAN                | 1            |
| 420         | 285807-01   | FLYWHEEL           | 1            |
| 421         | 285803-05   | NUT                | 1            |
| 422         | 285803-06   | KEY                | 1            |
| 423         | 285807-00   | PULLEY             | 1            |
| 424         | 285803-08   | WEIGHT             | 1            |
| 425         | 285806-95   | CRANKSHAFT         | 1            |

COPYRIGHT© 2005. All Rights Reserved.

Parts list, pricing, and availability subject to change. Please visit [www.dewaltservicenet.com](http://www.dewaltservicenet.com) for current parts information.

## Parts List for DP3900 Type 1

| Item Number | Part Number | Description   | Qty Required |
|-------------|-------------|---------------|--------------|
| 426         | 285806-09   | BALL BEARING  | 1            |
| 427         | 285806-10   | CAMSHAFT      | 1            |
| 428         | 285803-11   | PUSH ROD      | 2            |
| 429         | 285803-12   | ARM           | 2            |
| 430         | 285803-13   | LIFTER        | 2            |
| 431         | 285800-18   | PIVOT         | 2            |
| 432         | 285800-19   | SPRING        | 1            |
| 433         | 285803-14   | INTAKE VALVE  | 1            |
| 434         | 285803-15   | VALVE         | 1            |
| 435         | 285803-16   | SPRING        | 2            |
| 436         | 285803-17   | RETAINER      | 1            |
| 437         | 285803-18   | RETAINER      | 1            |
| 438         | 285803-19   | SEAT          | 1            |
| 439         | 285803-20   | ROTATOR VALVE | 1            |
| 440         | 285803-21   | PLATE         | 1            |
| 441         | 285800-27   | BOLT          | 2            |
| 442         | 285800-28   | NUT           | 2            |
| 443         | 285803-22   | SEAL          | 1            |
| 447         | 285805-51   | GASKET SET    | 1            |
| 448         | 285803-76   | VALVE SET     | 1            |
| 449         | 285803-77   | FLOAT SET     | 1            |
| 450         | 285805-61   | CHAMBER SET   | 1            |
| 451         | 285800-51   | SET SCREW     | 1            |
| 452         | 285800-52   | SET SCREW     | 1            |
| 453         | 285800-53   | SET SCREW     | 1            |
| 454         | 285806-82   | CHOKE SET     | 1            |
| 455         | 285806-83   | CARBURETOR    | 1            |

COPYRIGHT© 2005. All Rights Reserved.

Parts list, pricing, and availability subject to change. Please visit [www.dewaltservicenet.com](http://www.dewaltservicenet.com) for current parts information.

## Parts List for DP3900 Type 1

| Item Number | Part Number | Description    | Qty Required |
|-------------|-------------|----------------|--------------|
| 456         | 285800-56   | SCREW          | 1            |
| 457         | 285806-84   | NOZZLE         | 1            |
| 458         | 285800-58   | O-RING         | 1            |
| 459         | 285806-85   | INSULATOR      | 1            |
| 460         | 285806-05   | GASKET         | 1            |
| 461         | 285805-56   | SPACER         | 1            |
| 462         | 285806-04   | GASKET         | 1            |
| 463         | 285800-63   | LEVER          | 1            |
| 464         | 285800-64   | LEVER          | 1            |
| 465         | 285800-65   | PLATE          | 1            |
| 466         | 285800-66   | SPRING         | 1            |
| 467         | 285800-67   | GASKET         | 1            |
| 468         | 285800-68   | CUP            | 1            |
| 469         | 285800-69   | SCREW          | 2            |
| 470         | 285800-70   | PIN            | 1            |
| 471         | 285806-87   | MAIN JET       | 1            |
| 471         | 285806-86   | MAIN JET       | 1            |
| 471         | 285805-59   | MAIN JET       | 1            |
| 472         | 285804-58   | JET            | 1            |
| 473         | 285802-81   | OIL SEAL       | 1            |
| 474         | 285801-10   | O-RING         | 1            |
| 475         | 285801-11   | NUT            | 1            |
| 476         | 285802-82   | WASHER         | 2            |
| 477         | 285802-83   | LOCK PIN       | 1            |
| 478         | 285801-14   | BOLT           | 2            |
| 479         | 285802-70   | BEARING        | 1            |
| 480         | 285801-22   | OIL ALERT UNIT | 1            |

COPYRIGHT© 2005. All Rights Reserved.

Parts list, pricing, and availability subject to change. Please visit [www.dewaltservicenet.com](http://www.dewaltservicenet.com) for current parts information.

## Parts List for DP3900 Type 1

| Item Number | Part Number | Description   | Qty Required |
|-------------|-------------|---------------|--------------|
| 481         | 285800-41   | BOLT          | 1            |
| 482         | 285802-85   | CYLINDER HEAD | 1            |
| 483         | 285802-86   | GUIDE         | 1            |
| 484         | 285802-87   | GUIDE         | 1            |
| 485         | 285802-88   | CLIP          | 1            |
| 486         | 285806-22   | GASKET        | 1            |
| 487         | 285802-90   | COVER         | 1            |
| 488         | 285802-91   | GASKET        | 1            |
| 489         | 285802-92   | BOLT          | 1            |
| 490         | 285806-97   | BOLT          | 2            |
| 491         | 285803-51   | TUBE          | 1            |
| 492         | 285802-95   | BOLT          | 2            |
| 493         | 285802-96   | WASHER        | 1            |
| 494         | 285802-97   | PIN           | 1            |
| 495         | 285804-79   | BOLT          | 4            |
| 496         | 285800-98   | SPARK PLUG    | 1            |
| 497         | 285803-39   | STARTER ASSY. | 1            |
| 498         | 285803-40   | CASE          | 1            |
| 499         | 285803-41   | PULLEY        | 1            |
| 500         | 285803-42   | RATCHET       | 2            |
| 501         | 285803-43   | SPRING        | 1            |
| 502         | 285803-44   | SPRING        | 1            |
| 503         | 285804-38   | BOLT          | 2            |
| 504         | 285803-46   | RETAINER      | 1            |
| 505         | 285803-45   | SPRING        | 1            |
| 506         | 285803-48   | GRIP          | 1            |
| 507         | 285803-49   | ROPE          | 1            |

COPYRIGHT© 2005. All Rights Reserved.

Parts list, pricing, and availability subject to change. Please visit [www.dewaltservicenet.com](http://www.dewaltservicenet.com) for current parts information.

## Parts List for DP3900 Type 1

| Item Number | Part Number | Description    | Qty Required |
|-------------|-------------|----------------|--------------|
| 508         | 285802-71   | OIL SEAL       | 1            |
| 510         | 285803-50   | SCREW          | 1            |
| 511         | 285802-79   | WASHER         | 1            |
| 533         | 285801-33   | RUBBER TUBE    | 1            |
| 534         | 285801-34   | JOINT          | 1            |
| 535         | 285807-02   | TANK           | 1            |
| 536         | 285807-03   | FUEL CAP       | 1            |
| 537         | 285807-04   | GASKET         | 1            |
| 538         | 285801-10   | O-RING         | 1            |
| 539         | 285803-72   | NUT            | 2            |
| 540         | 285801-40   | HOSE           | 1            |
| 541         | 285801-41   | CLIP           | 4            |
| 542         | 285805-87   | BOLT           | 2            |
| 543         | 285801-53   | BOLT           | 3            |
| 547         | 285803-84   | COLLAR         | 1            |
| 567         | 285807-05   | MUFFLER        | 1            |
| 568         | 285807-06   | PROTECTOR      | 1            |
| 569         | 285807-07   | PROTECTOR      | 1            |
| 570         | 285805-92   | EXHAUST PIPE   | 1            |
| 571         | 285807-08   | CAP            | 1            |
| 572         | 285807-09   | GASKET         | 1            |
| 573         | 285807-10   | SPARK ARRESTOR | 1            |
| 574         | 285805-95   | GASKET         | 1            |
| 575         | 285800-41   | BOLT           | 1            |
| 576         | 285801-71   | SCREW          | 5            |
| 577         | 285801-72   | SCREW          | 3            |
| 578         | 285803-72   | NUT            | 5            |

COPYRIGHT© 2005. All Rights Reserved.

Parts list, pricing, and availability subject to change. Please visit [www.dewaltservicenet.com](http://www.dewaltservicenet.com) for current parts information.

## Parts List for DP3900 Type 1

| Item Number | Part Number | Description    | Qty Required |
|-------------|-------------|----------------|--------------|
| 579         | 285807-12   | CAUTION LABEL  | 1            |
| 580         | 285807-11   | SCREW          | 1            |
| 583         | 285804-86   | IGNITION COIL  | 1            |
| 584         | 285801-30   | CAPACITOR ASSY | 1            |
| 588         | 285804-24   | GROMMET        | 1            |
| 589         | 285804-88   | WIRE           | 1            |
| 593         | 285802-29   | BOLT           | 2            |
| 594         | 285806-23   | EMBLEM         | 1            |
| 599         | 285805-86   | FILTER         | 1            |
| 602         | 285806-93   | COVER ASSEMBLY | 1            |
| 603         | 285804-36   | GASKET         | 1            |
| 604         | 285800-77   | CAP ASSY.      | 1            |
| 605         | 285802-74   | CAP ASSY.      | 1            |
| 606         | 285800-78   | GASKET         | 2            |
| 607         | 285802-64   | GOVERNOR       | 1            |
| 608         | 285802-66   | WEIGHT         | 2            |
| 609         | 285802-65   | HOLDER         | 1            |
| 610         | 285802-67   | PIN            | 1            |
| 611         | 285802-68   | SLIDER         | 1            |
| 612         | 285801-07   | CLIP           | 1            |
| 613         | 285802-73   | DOWEL PIN      | 2            |
| 614         | 285802-71   | OIL SEAL       | 1            |
| 615         | 285801-12   | WASHER         | 1            |
| 616         | 285802-72   | BOLT           | 1            |
| 617         | 285802-70   | BEARING        | 1            |
| 618         | 285802-69   | BEARING        | 1            |
| 620         | 285805-77   | KEY            | 1            |

COPYRIGHT© 2005. All Rights Reserved.

Parts list, pricing, and availability subject to change. Please visit [www.dewaltservicenetwork.com](http://www.dewaltservicenetwork.com) for current parts information.

## Parts List for DP3900 Type 1

| Item Number | Part Number | Description   | Qty Required |
|-------------|-------------|---------------|--------------|
| 626         | 285805-80   | CLIP          | 1            |
| 629         | 285806-90   | CONTROL ASSY  | 1            |
| 630         | 285806-88   | ARM           | 1            |
| 631         | 285803-25   | ROD           | 1            |
| 632         | 285803-26   | SPRING        | 1            |
| 633         | 285806-89   | SPRING        | 1            |
| 634         | 285806-91   | CONTROL LEVER | 1            |
| 635         | 285800-35   | SPRING        | 1            |
| 636         | 285805-66   | WASHER        | 1            |
| 637         | 285800-37   | HOLDER        | 1            |
| 638         | 285805-67   | SPACER        | 1            |
| 639         | 285800-39   | SPRING        | 1            |
| 640         | 285805-69   | SPRING        | 1            |
| 641         | 285800-41   | BOLT          | 2            |
| 642         | 285800-42   | BOLT          | 1            |
| 643         | 285800-43   | NUT           | 1            |
| 644         | 285806-92   | SCREW         | 1            |
| 645         | 285802-21   | SCREW         | 1            |
| 646         | 285800-46   | NUT           | 1            |
| 654         | 285806-13   | RING SET      | 1            |
| 654         | 285806-14   | RING SET      | 1            |
| 654         | 285806-12   | RING SET      | 1            |
| 654         | 285806-24   | RING SET      | 1            |
| 655         | 285806-17   | PISTON        | 1            |
| 655         | 285806-18   | PISTON        | 1            |
| 655         | 285806-15   | PISTON        | 1            |
| 655         | 285806-16   | PISTON        | 1            |

COPYRIGHT© 2005. All Rights Reserved.

Parts list, pricing, and availability subject to change. Please visit [www.dewaltservicenetwork.com](http://www.dewaltservicenetwork.com) for current parts information.

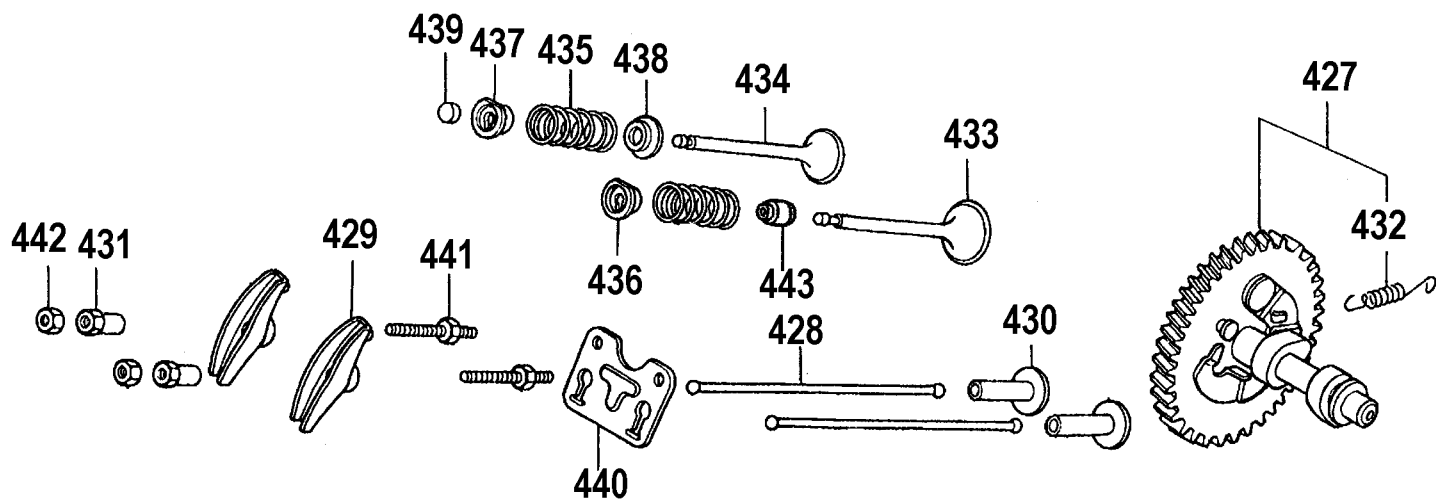
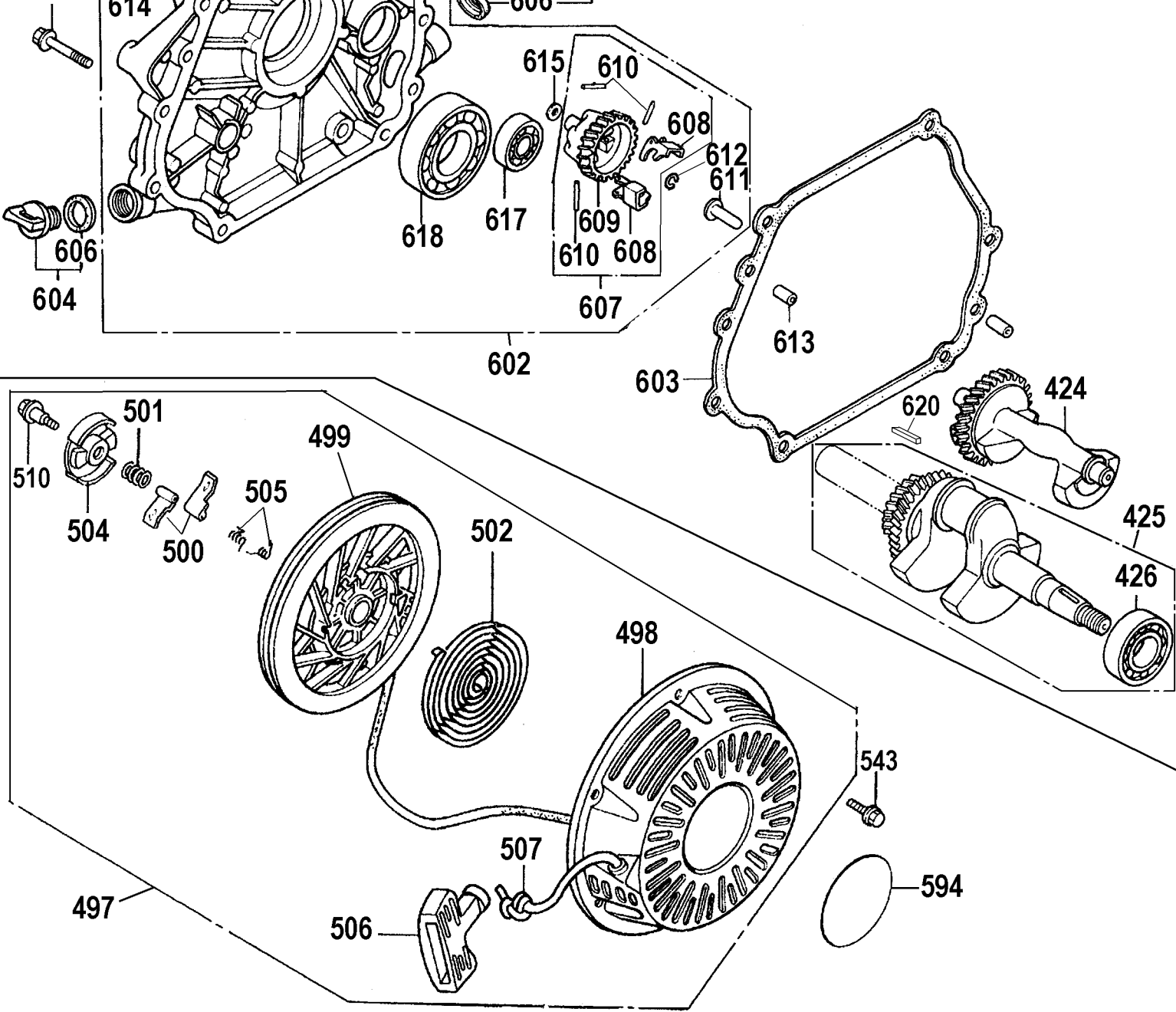
## Parts List for DP3900 Type 1

| Item Number | Part Number | Description    | Qty Required |
|-------------|-------------|----------------|--------------|
| 656         | 285807-15   | PIN            | 1            |
| 657         | 285806-20   | CONNECTING ROD | 1            |
| 657         | 285806-19   | CONNECTING ROD | 1            |
| 658         | 285803-37   | BOLT           | 2            |
| 659         | 285803-38   | CLIP           | 2            |
| 660         | 285806-98   | COVER          | 1            |
| 661         | 285803-00   | SHROUD         | 1            |
| 662         | 285806-99   | SWITCH ASSY.   | 1            |
| 663         | 285800-41   | BOLT           | 6            |
| 664         | 285805-82   | CLIP           | 1            |
| 665         | A08642      | ENGINE         | 1            |
| 666         | 285802-76   | SWITCH ASSY    | 1            |
| 667         | 285802-77   | SHAFT          | 1            |
| 675         | 285801-75   | LABEL          | 1            |
| 676         | 285805-88   | LABEL          | 1            |
| 678         | 285801-78   | LABEL          | 1            |

COPYRIGHT© 2005. All Rights Reserved.

Parts list, pricing, and availability subject to change. Please visit [www.dewaltservicenet.com](http://www.dewaltservicenet.com) for current parts information.





## Parts List for DP3900 Type 1

| Item Number | Part Number | Description          | Qty Required |
|-------------|-------------|----------------------|--------------|
| 1           | A03496      | PUMP                 | 1            |
| 2           | A08896      | SCREW                | 4            |
| 3           | P313        | WASHER LOCK GEN 9670 | 4            |
| 9           | A08904      | ORING                | 6            |
| 10          | A08905      | CAP VALVE            | 6            |
| 11          | A08927      | KIT VALVE            | 1            |
| 12          | 15713       | SCREW .250-20X.50 GE | 4            |
| 13          | 15898       | COVER BEARING        | 1            |
| 14          | A08906      | INDICATOR OIL LEVEL  | 1            |
| 15          | 15727       | ORING                | 2            |
| 17          | A08928      | KIT OIL SEAL         | 1            |
| 19          | P467        | DIPSTICK             | 1            |
| 22          | A08907      | GUIDE PLUNGER        | 3            |
| 23          | A08908      | ROD CONNECTING       | 3            |
| 24          | A08909      | ORING COVER          | 1            |
| 25          | A08910      | COVER REAR CRANKCASE | 1            |
| 26          | A08911      | SCREW                | 1            |
| 27          | A08912      | ORING                | 1            |
| 28          | A08913      | PLUG                 | 2            |
| 29          | A08914      | PIN CON ROD          | 3            |
| 30          | A08915      | FLINGER WASHER       | 3            |
| 31          | A08916      | RING ANTI EXTRUSION  | 3            |
| 32          | A08917      | ORING                | 3            |
| 33          | P619        | PLUNGER CERAMIC GEN  | 3            |
| 34          | A08918      | BUSHING              | 3            |
| 35          | 15838       | NUT PLUNGER GEN 9222 | 3            |
| 40          | A08930      | RETAINER             | 1            |

COPYRIGHT© 2005. All Rights Reserved.

Parts list, pricing, and availability subject to change. Please visit [www.dewaltservicenet.com](http://www.dewaltservicenet.com) for current parts information.

## Parts List for DP3900 Type 1

| Item Number | Part Number | Description          | Qty Required |
|-------------|-------------|----------------------|--------------|
| 41          | A08929      | KIT WATER PACK       | 1            |
| 42          | 5140058-69  | O-RING               | 3            |
| 43          | A08931      | RETAINER             | 1            |
| 49          | A08919      | INDICATOR OIL LEVEL  | 1            |
| 50          | A08920      | ORING                | 1            |
| 61          | A08921      | FLANGE ENGINE        | 1            |
| 62          | 5140046-41  | OIL SEAL             | 1            |
| 63          | A08922      | WASHER               | 4            |
| 64          | A08923      | SCREW                | 4            |
| 91          | A08934      | KIT UNLOADER         | 1            |
| 91          | 5140047-15  | HANDLE               | 1            |
| 120         | P064        | ORING GEN 90383200   | 1            |
| 121         | A08924      | NIPPLE               | 1            |
| 130         | A08925      | ORING                | 1            |
| 131         | A08926      | NOZZLE               | 1            |
| 132         | A08935      | INJECTOR CHEMICAL    | 1            |
| 201         | A08642      | ENGINE               | 1            |
| 202         | D23124      | LABEL, WARNING       | 1            |
| 203         | A14552      | LABEL HOT SURFACE    | 1            |
| 205         | A03496      | PUMP                 | 1            |
| 206         | A20826      | WARNING LABEL        | 1            |
| 208         | A11349      | BOLT .375-16X1.25 FL | 4            |
| 209         | A13853      | FRAME                | 1            |
| 210         | A14639      | HANDLE               | 1            |
| 211         | A18466      | NUT                  | 4            |
| 212         | 18300       | BOLT .375-16X1.75 FL | 4            |
| 213         | A14452      | TIRE, PNEUMATIC      | 2            |

COPYRIGHT© 2005. All Rights Reserved.

Parts list, pricing, and availability subject to change. Please visit [www.dewaltservicenet.com](http://www.dewaltservicenet.com) for current parts information.

## Parts List for DP3900 Type 1

| Item Number | Part Number | Description          | Qty Required |
|-------------|-------------|----------------------|--------------|
| 214         | D30249      | COLLER AXLE SET SCRE | 2            |
| 215         | A16267      | LABEL WARNING        | 1            |
| 216         | A16268      | LABEL WARNING        | 1            |
| 217         | A16269      | LABEL WARNING        | 1            |
| 218         | H140        | HOSE ASSY CHEMICAL   | 1            |
| 219         | D21436      | SCREW .250-20X.750 U | 2            |
| 220         | D21437      | NUT.250-20 FLANGEHEA | 2            |
| 221         | D22268      | ISOLATOR RECESSED RU | 2            |
| 222         | NCT001      | TOOL NOZZLE CLEANING | 1            |
| 223         | D30374      | NOZZLE HOLDER RUBBER | 1            |
| 224         | 17730       | NOZZLE KIT 4.5 5 PAC | 1            |
| 225         | 90510760    | GUN                  | 1            |
| 225         | F179        | ORING 1/4 QC         | 1            |
| 226         | N000579     | HOSE ASSEMBLY        | 1            |
| 226         | A20559      | HOSE ASSEMBLY        | 1            |
| 227         | A21252      | LANCE EXT            | 1            |
| 228         | A19985      | SOCKET QUIK CONNECT  | 1            |
| 229         | D30492      | BUTTON SNAP .302 DIA | 2            |
| 230         | A20817      | NAMEPLATE            | 1            |
| 231         | 17086       | REEL HOSE 100 CAP 3/ | 1            |
| 232         | A16255      | HANDLE               | 1            |
| 233         | 16087       | NUT .313-18 UNC FLAN | 4            |
| 234         | F064        | SCREW .313-18X1.00 H | 4            |
| 238         | F039        | PLUG QUICK CONNECT F | 1            |
| 239         | 17657       | VALVE THERMAL RELIEF | 1            |
| 241         | A08076      | HOSE                 | 1            |
| 242         | S065        | CLAMP PRESS WASHER   | 2            |

COPYRIGHT© 2005. All Rights Reserved.

Parts list, pricing, and availability subject to change. Please visit [www.dewaltservicenet.com](http://www.dewaltservicenet.com) for current parts information.

## Parts List for DP3900 Type 1

| Item Number | Part Number | Description        | Qty Required |
|-------------|-------------|--------------------|--------------|
| 250         | 90509698    | SIDE HANDLE        | 1            |
| 251         | 90510816    | NAMEPLATE          | 1            |
| 252         | 90510282    | WARNING LABEL      | 1            |
| 253         | 90510283    | WARNING LABEL      | 1            |
| 256         | A06754      | VALVE              | 1            |
| 257         | 17098       | FILTER INLINE ASSY | 1            |
| 260         | A15412      | SCREW              | 4            |
| 261         | A14647      | PLATE              | 1            |
| 401         | 285805-44   | GASKET             | 1            |
| 402         | 285807-16   | ELEMENT            | 1            |
| 403         | 285807-17   | FILTER             | 1            |
| 404         | 285807-18   | COVER              | 1            |
| 405         | 285800-05   | GROMMET            | 1            |
| 406         | 285805-48   | COLLAR             | 2            |
| 407         | 285800-07   | COLLAR             | 1            |
| 408         | 285807-20   | ELBOW              | 1            |
| 409         | 285800-46   | NUT                | 2            |
| 411         | 285800-11   | WING NUT           | 2            |
| 412         | 285807-19   | NOSE               | 1            |
| 413         | 285805-50   | BOLT               | 1            |
| 419         | 285803-03   | FAN                | 1            |
| 420         | 285807-01   | FLYWHEEL           | 1            |
| 421         | 285803-05   | NUT                | 1            |
| 422         | 285803-06   | KEY                | 1            |
| 423         | 285807-00   | PULLEY             | 1            |
| 424         | 285803-08   | WEIGHT             | 1            |
| 425         | 285806-95   | CRANKSHAFT         | 1            |

COPYRIGHT© 2005. All Rights Reserved.

Parts list, pricing, and availability subject to change. Please visit [www.dewaltservicenet.com](http://www.dewaltservicenet.com) for current parts information.

## Parts List for DP3900 Type 1

| Item Number | Part Number | Description   | Qty Required |
|-------------|-------------|---------------|--------------|
| 426         | 285806-09   | BALL BEARING  | 1            |
| 427         | 285806-10   | CAMSHAFT      | 1            |
| 428         | 285803-11   | PUSH ROD      | 2            |
| 429         | 285803-12   | ARM           | 2            |
| 430         | 285803-13   | LIFTER        | 2            |
| 431         | 285800-18   | PIVOT         | 2            |
| 432         | 285800-19   | SPRING        | 1            |
| 433         | 285803-14   | INTAKE VALVE  | 1            |
| 434         | 285803-15   | VALVE         | 1            |
| 435         | 285803-16   | SPRING        | 2            |
| 436         | 285803-17   | RETAINER      | 1            |
| 437         | 285803-18   | RETAINER      | 1            |
| 438         | 285803-19   | SEAT          | 1            |
| 439         | 285803-20   | ROTATOR VALVE | 1            |
| 440         | 285803-21   | PLATE         | 1            |
| 441         | 285800-27   | BOLT          | 2            |
| 442         | 285800-28   | NUT           | 2            |
| 443         | 285803-22   | SEAL          | 1            |
| 447         | 285805-51   | GASKET SET    | 1            |
| 448         | 285803-76   | VALVE SET     | 1            |
| 449         | 285803-77   | FLOAT SET     | 1            |
| 450         | 285805-61   | CHAMBER SET   | 1            |
| 451         | 285800-51   | SET SCREW     | 1            |
| 452         | 285800-52   | SET SCREW     | 1            |
| 453         | 285800-53   | SET SCREW     | 1            |
| 454         | 285806-82   | CHOKE SET     | 1            |
| 455         | 285806-83   | CARBURETOR    | 1            |

COPYRIGHT© 2005. All Rights Reserved.

Parts list, pricing, and availability subject to change. Please visit [www.dewaltservicenetwork.com](http://www.dewaltservicenetwork.com) for current parts information.

## Parts List for DP3900 Type 1

| Item Number | Part Number | Description    | Qty Required |
|-------------|-------------|----------------|--------------|
| 456         | 285800-56   | SCREW          | 1            |
| 457         | 285806-84   | NOZZLE         | 1            |
| 458         | 285800-58   | O-RING         | 1            |
| 459         | 285806-85   | INSULATOR      | 1            |
| 460         | 285806-05   | GASKET         | 1            |
| 461         | 285805-56   | SPACER         | 1            |
| 462         | 285806-04   | GASKET         | 1            |
| 463         | 285800-63   | LEVER          | 1            |
| 464         | 285800-64   | LEVER          | 1            |
| 465         | 285800-65   | PLATE          | 1            |
| 466         | 285800-66   | SPRING         | 1            |
| 467         | 285800-67   | GASKET         | 1            |
| 468         | 285800-68   | CUP            | 1            |
| 469         | 285800-69   | SCREW          | 2            |
| 470         | 285800-70   | PIN            | 1            |
| 471         | 285806-87   | MAIN JET       | 1            |
| 471         | 285806-86   | MAIN JET       | 1            |
| 471         | 285805-59   | MAIN JET       | 1            |
| 472         | 285804-58   | JET            | 1            |
| 473         | 285802-81   | OIL SEAL       | 1            |
| 474         | 285801-10   | O-RING         | 1            |
| 475         | 285801-11   | NUT            | 1            |
| 476         | 285802-82   | WASHER         | 2            |
| 477         | 285802-83   | LOCK PIN       | 1            |
| 478         | 285801-14   | BOLT           | 2            |
| 479         | 285802-70   | BEARING        | 1            |
| 480         | 285801-22   | OIL ALERT UNIT | 1            |

COPYRIGHT© 2005. All Rights Reserved.

Parts list, pricing, and availability subject to change. Please visit [www.dewaltservicenet.com](http://www.dewaltservicenet.com) for current parts information.

## Parts List for DP3900 Type 1

| Item Number | Part Number | Description   | Qty Required |
|-------------|-------------|---------------|--------------|
| 481         | 285800-41   | BOLT          | 1            |
| 482         | 285802-85   | CYLINDER HEAD | 1            |
| 483         | 285802-86   | GUIDE         | 1            |
| 484         | 285802-87   | GUIDE         | 1            |
| 485         | 285802-88   | CLIP          | 1            |
| 486         | 285806-22   | GASKET        | 1            |
| 487         | 285802-90   | COVER         | 1            |
| 488         | 285802-91   | GASKET        | 1            |
| 489         | 285802-92   | BOLT          | 1            |
| 490         | 285806-97   | BOLT          | 2            |
| 491         | 285803-51   | TUBE          | 1            |
| 492         | 285802-95   | BOLT          | 2            |
| 493         | 285802-96   | WASHER        | 1            |
| 494         | 285802-97   | PIN           | 1            |
| 495         | 285804-79   | BOLT          | 4            |
| 496         | 285800-98   | SPARK PLUG    | 1            |
| 497         | 285803-39   | STARTER ASSY. | 1            |
| 498         | 285803-40   | CASE          | 1            |
| 499         | 285803-41   | PULLEY        | 1            |
| 500         | 285803-42   | RATCHET       | 2            |
| 501         | 285803-43   | SPRING        | 1            |
| 502         | 285803-44   | SPRING        | 1            |
| 503         | 285804-38   | BOLT          | 2            |
| 504         | 285803-46   | RETAINER      | 1            |
| 505         | 285803-45   | SPRING        | 1            |
| 506         | 285803-48   | GRIP          | 1            |
| 507         | 285803-49   | ROPE          | 1            |

COPYRIGHT© 2005. All Rights Reserved.

Parts list, pricing, and availability subject to change. Please visit [www.dewaltservicenet.com](http://www.dewaltservicenet.com) for current parts information.



## Parts List for DP3900 Type 1

| Item Number | Part Number | Description    | Qty Required |
|-------------|-------------|----------------|--------------|
| 508         | 285802-71   | OIL SEAL       | 1            |
| 510         | 285803-50   | SCREW          | 1            |
| 511         | 285802-79   | WASHER         | 1            |
| 533         | 285801-33   | RUBBER TUBE    | 1            |
| 534         | 285801-34   | JOINT          | 1            |
| 535         | 285807-02   | TANK           | 1            |
| 536         | 285807-03   | FUEL CAP       | 1            |
| 537         | 285807-04   | GASKET         | 1            |
| 538         | 285801-10   | O-RING         | 1            |
| 539         | 285803-72   | NUT            | 2            |
| 540         | 285801-40   | HOSE           | 1            |
| 541         | 285801-41   | CLIP           | 4            |
| 542         | 285805-87   | BOLT           | 2            |
| 543         | 285801-53   | BOLT           | 3            |
| 547         | 285803-84   | COLLAR         | 1            |
| 567         | 285807-05   | MUFFLER        | 1            |
| 568         | 285807-06   | PROTECTOR      | 1            |
| 569         | 285807-07   | PROTECTOR      | 1            |
| 570         | 285805-92   | EXHAUST PIPE   | 1            |
| 571         | 285807-08   | CAP            | 1            |
| 572         | 285807-09   | GASKET         | 1            |
| 573         | 285807-10   | SPARK ARRESTOR | 1            |
| 574         | 285805-95   | GASKET         | 1            |
| 575         | 285800-41   | BOLT           | 1            |
| 576         | 285801-71   | SCREW          | 5            |
| 577         | 285801-72   | SCREW          | 3            |
| 578         | 285803-72   | NUT            | 5            |

COPYRIGHT© 2005. All Rights Reserved.

Parts list, pricing, and availability subject to change. Please visit [www.dewaltservicenet.com](http://www.dewaltservicenet.com) for current parts information.

## Parts List for DP3900 Type 1

| Item Number | Part Number | Description    | Qty Required |
|-------------|-------------|----------------|--------------|
| 579         | 285807-12   | CAUTION LABEL  | 1            |
| 580         | 285807-11   | SCREW          | 1            |
| 583         | 285804-86   | IGNITION COIL  | 1            |
| 584         | 285801-30   | CAPACITOR ASSY | 1            |
| 588         | 285804-24   | GROMMET        | 1            |
| 589         | 285804-88   | WIRE           | 1            |
| 593         | 285802-29   | BOLT           | 2            |
| 594         | 285806-23   | EMBLEM         | 1            |
| 599         | 285805-86   | FILTER         | 1            |
| 602         | 285806-93   | COVER ASSEMBLY | 1            |
| 603         | 285804-36   | GASKET         | 1            |
| 604         | 285800-77   | CAP ASSY.      | 1            |
| 605         | 285802-74   | CAP ASSY.      | 1            |
| 606         | 285800-78   | GASKET         | 2            |
| 607         | 285802-64   | GOVERNOR       | 1            |
| 608         | 285802-66   | WEIGHT         | 2            |
| 609         | 285802-65   | HOLDER         | 1            |
| 610         | 285802-67   | PIN            | 1            |
| 611         | 285802-68   | SLIDER         | 1            |
| 612         | 285801-07   | CLIP           | 1            |
| 613         | 285802-73   | DOWEL PIN      | 2            |
| 614         | 285802-71   | OIL SEAL       | 1            |
| 615         | 285801-12   | WASHER         | 1            |
| 616         | 285802-72   | BOLT           | 1            |
| 617         | 285802-70   | BEARING        | 1            |
| 618         | 285802-69   | BEARING        | 1            |
| 620         | 285805-77   | KEY            | 1            |

COPYRIGHT© 2005. All Rights Reserved.

Parts list, pricing, and availability subject to change. Please visit [www.dewaltservicenet.com](http://www.dewaltservicenet.com) for current parts information.

## Parts List for DP3900 Type 1

| Item Number | Part Number | Description   | Qty Required |
|-------------|-------------|---------------|--------------|
| 626         | 285805-80   | CLIP          | 1            |
| 629         | 285806-90   | CONTROL ASSY  | 1            |
| 630         | 285806-88   | ARM           | 1            |
| 631         | 285803-25   | ROD           | 1            |
| 632         | 285803-26   | SPRING        | 1            |
| 633         | 285806-89   | SPRING        | 1            |
| 634         | 285806-91   | CONTROL LEVER | 1            |
| 635         | 285800-35   | SPRING        | 1            |
| 636         | 285805-66   | WASHER        | 1            |
| 637         | 285800-37   | HOLDER        | 1            |
| 638         | 285805-67   | SPACER        | 1            |
| 639         | 285800-39   | SPRING        | 1            |
| 640         | 285805-69   | SPRING        | 1            |
| 641         | 285800-41   | BOLT          | 2            |
| 642         | 285800-42   | BOLT          | 1            |
| 643         | 285800-43   | NUT           | 1            |
| 644         | 285806-92   | SCREW         | 1            |
| 645         | 285802-21   | SCREW         | 1            |
| 646         | 285800-46   | NUT           | 1            |
| 654         | 285806-13   | RING SET      | 1            |
| 654         | 285806-14   | RING SET      | 1            |
| 654         | 285806-12   | RING SET      | 1            |
| 654         | 285806-24   | RING SET      | 1            |
| 655         | 285806-17   | PISTON        | 1            |
| 655         | 285806-18   | PISTON        | 1            |
| 655         | 285806-15   | PISTON        | 1            |
| 655         | 285806-16   | PISTON        | 1            |

COPYRIGHT© 2005. All Rights Reserved.

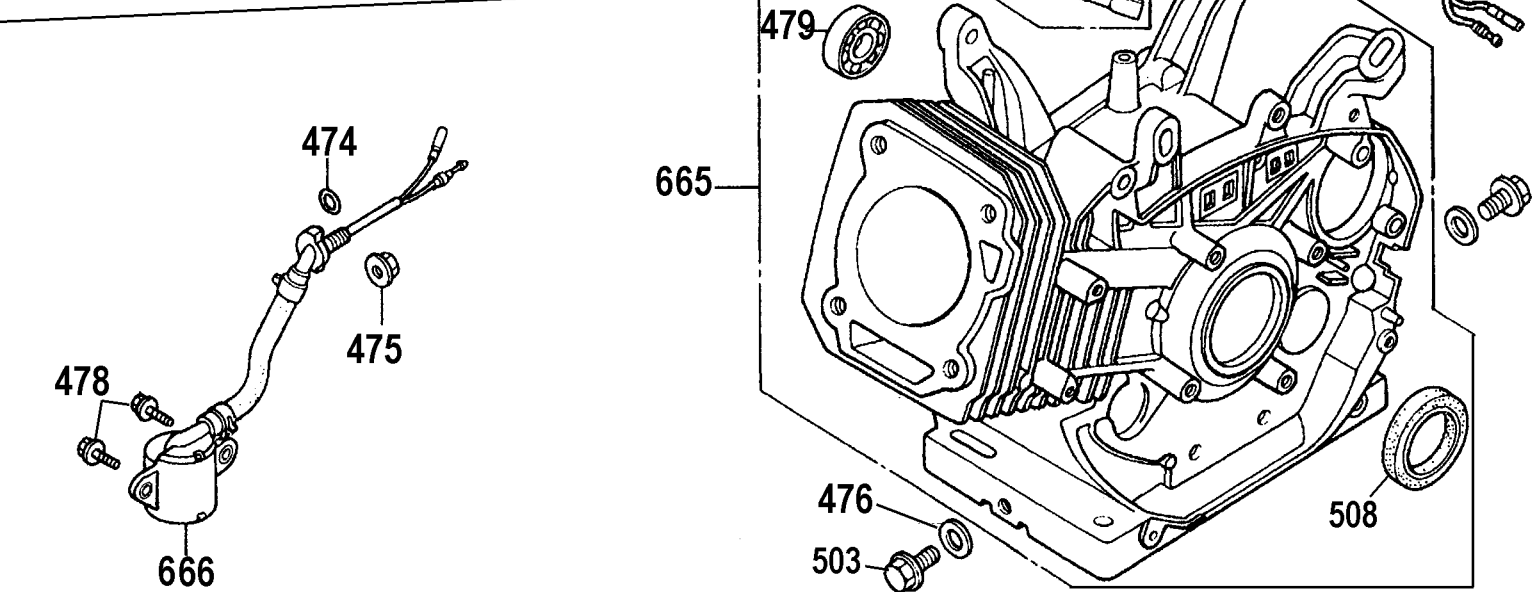
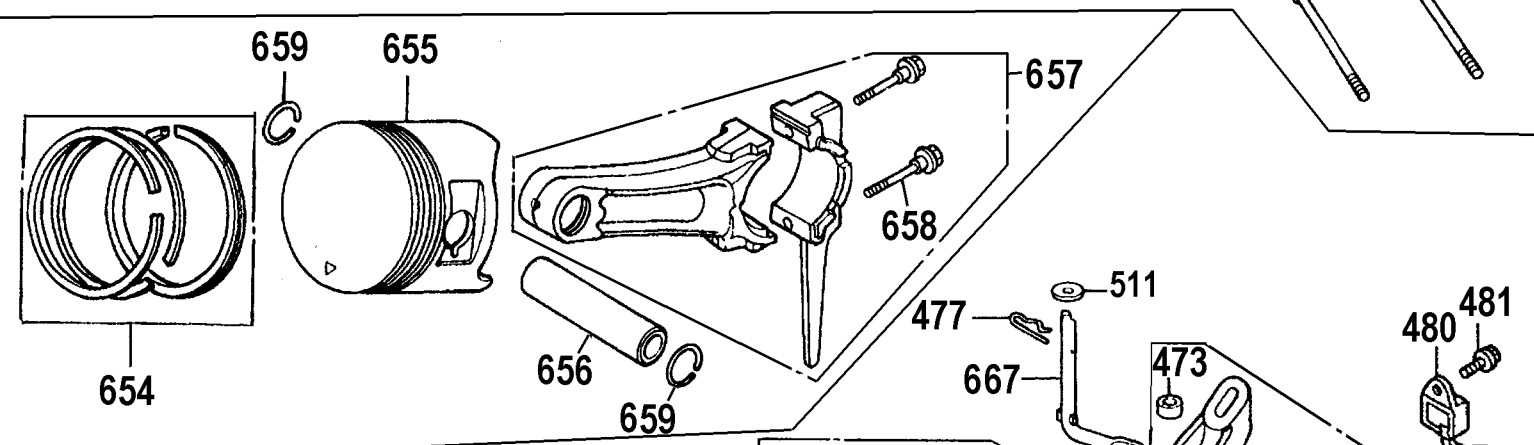
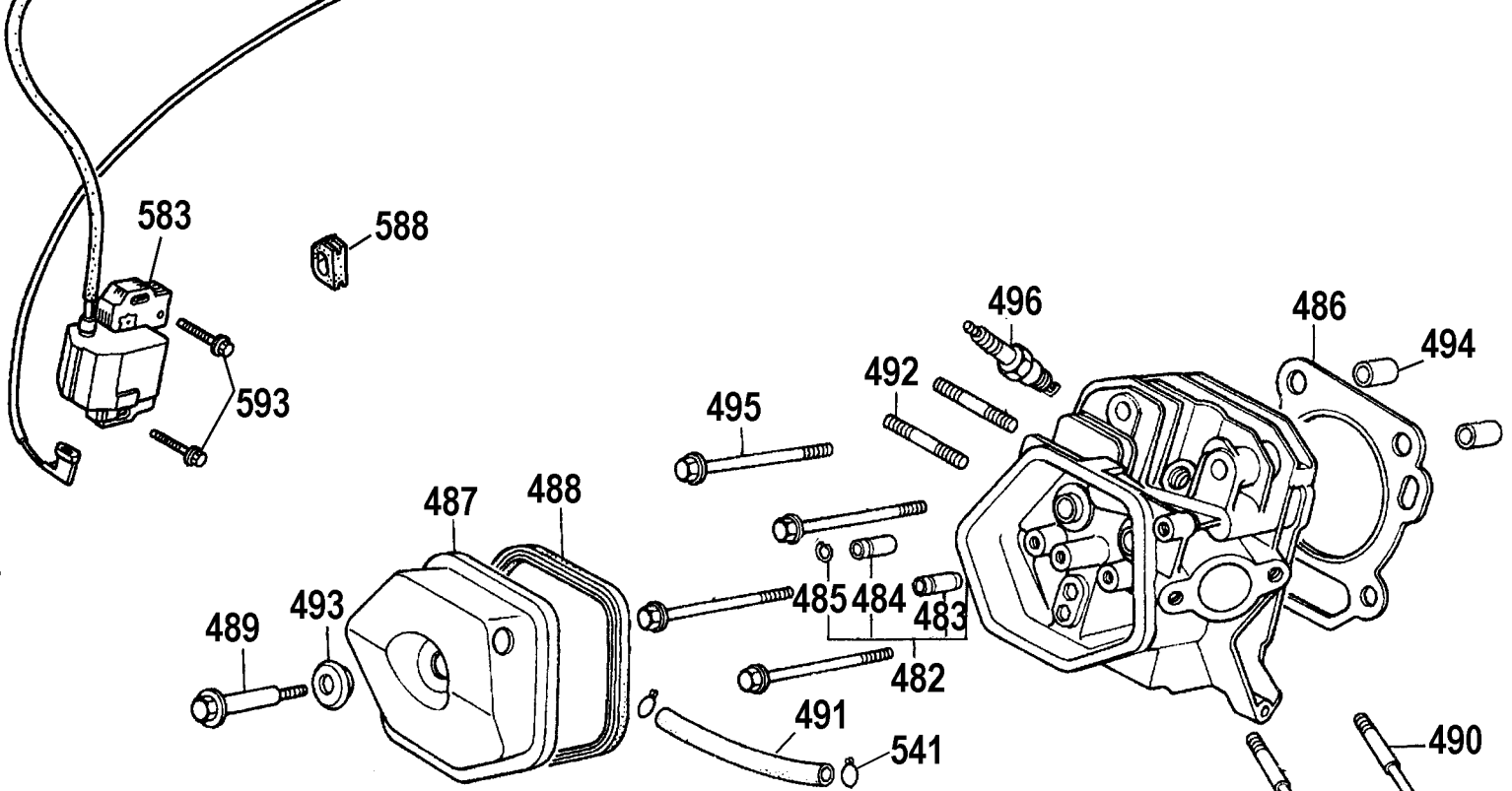
Parts list, pricing, and availability subject to change. Please visit [www.dewaltservicenet.com](http://www.dewaltservicenet.com) for current parts information.

## Parts List for DP3900 Type 1

| Item Number | Part Number | Description    | Qty Required |
|-------------|-------------|----------------|--------------|
| 656         | 285807-15   | PIN            | 1            |
| 657         | 285806-20   | CONNECTING ROD | 1            |
| 657         | 285806-19   | CONNECTING ROD | 1            |
| 658         | 285803-37   | BOLT           | 2            |
| 659         | 285803-38   | CLIP           | 2            |
| 660         | 285806-98   | COVER          | 1            |
| 661         | 285803-00   | SHROUD         | 1            |
| 662         | 285806-99   | SWITCH ASSY.   | 1            |
| 663         | 285800-41   | BOLT           | 6            |
| 664         | 285805-82   | CLIP           | 1            |
| 665         | A08642      | ENGINE         | 1            |
| 666         | 285802-76   | SWITCH ASSY    | 1            |
| 667         | 285802-77   | SHAFT          | 1            |
| 675         | 285801-75   | LABEL          | 1            |
| 676         | 285805-88   | LABEL          | 1            |
| 678         | 285801-78   | LABEL          | 1            |

COPYRIGHT© 2005. All Rights Reserved.

Parts list, pricing, and availability subject to change. Please visit [www.dewaltservicenet.com](http://www.dewaltservicenet.com) for current parts information.



## Parts List for DP3900 Type 1

| Item Number | Part Number | Description          | Qty Required |
|-------------|-------------|----------------------|--------------|
| 1           | A03496      | PUMP                 | 1            |
| 2           | A08896      | SCREW                | 4            |
| 3           | P313        | WASHER LOCK GEN 9670 | 4            |
| 9           | A08904      | ORING                | 6            |
| 10          | A08905      | CAP VALVE            | 6            |
| 11          | A08927      | KIT VALVE            | 1            |
| 12          | 15713       | SCREW .250-20X.50 GE | 4            |
| 13          | 15898       | COVER BEARING        | 1            |
| 14          | A08906      | INDICATOR OIL LEVEL  | 1            |
| 15          | 15727       | ORING                | 2            |
| 17          | A08928      | KIT OIL SEAL         | 1            |
| 19          | P467        | DIPSTICK             | 1            |
| 22          | A08907      | GUIDE PLUNGER        | 3            |
| 23          | A08908      | ROD CONNECTING       | 3            |
| 24          | A08909      | ORING COVER          | 1            |
| 25          | A08910      | COVER REAR CRANKCASE | 1            |
| 26          | A08911      | SCREW                | 1            |
| 27          | A08912      | ORING                | 1            |
| 28          | A08913      | PLUG                 | 2            |
| 29          | A08914      | PIN CON ROD          | 3            |
| 30          | A08915      | FLINGER WASHER       | 3            |
| 31          | A08916      | RING ANTI EXTRUSION  | 3            |
| 32          | A08917      | ORING                | 3            |
| 33          | P619        | PLUNGER CERAMIC GEN  | 3            |
| 34          | A08918      | BUSHING              | 3            |
| 35          | 15838       | NUT PLUNGER GEN 9222 | 3            |
| 40          | A08930      | RETAINER             | 1            |

COPYRIGHT© 2005. All Rights Reserved.

Parts list, pricing, and availability subject to change. Please visit [www.dewaltservicenet.com](http://www.dewaltservicenet.com) for current parts information.

## Parts List for DP3900 Type 1

| Item Number | Part Number | Description          | Qty Required |
|-------------|-------------|----------------------|--------------|
| 41          | A08929      | KIT WATER PACK       | 1            |
| 42          | 5140058-69  | O-RING               | 3            |
| 43          | A08931      | RETAINER             | 1            |
| 49          | A08919      | INDICATOR OIL LEVEL  | 1            |
| 50          | A08920      | ORING                | 1            |
| 61          | A08921      | FLANGE ENGINE        | 1            |
| 62          | 5140046-41  | OIL SEAL             | 1            |
| 63          | A08922      | WASHER               | 4            |
| 64          | A08923      | SCREW                | 4            |
| 91          | A08934      | KIT UNLOADER         | 1            |
| 91          | 5140047-15  | HANDLE               | 1            |
| 120         | P064        | ORING GEN 90383200   | 1            |
| 121         | A08924      | NIPPLE               | 1            |
| 130         | A08925      | ORING                | 1            |
| 131         | A08926      | NOZZLE               | 1            |
| 132         | A08935      | INJECTOR CHEMICAL    | 1            |
| 201         | A08642      | ENGINE               | 1            |
| 202         | D23124      | LABEL, WARNING       | 1            |
| 203         | A14552      | LABEL HOT SURFACE    | 1            |
| 205         | A03496      | PUMP                 | 1            |
| 206         | A20826      | WARNING LABEL        | 1            |
| 208         | A11349      | BOLT .375-16X1.25 FL | 4            |
| 209         | A13853      | FRAME                | 1            |
| 210         | A14639      | HANDLE               | 1            |
| 211         | A18466      | NUT                  | 4            |
| 212         | 18300       | BOLT .375-16X1.75 FL | 4            |
| 213         | A14452      | TIRE, PNEUMATIC      | 2            |

COPYRIGHT© 2005. All Rights Reserved.

Parts list, pricing, and availability subject to change. Please visit [www.dewaltservicenet.com](http://www.dewaltservicenet.com) for current parts information.

## Parts List for DP3900 Type 1

| Item Number | Part Number | Description          | Qty Required |
|-------------|-------------|----------------------|--------------|
| 214         | D30249      | COLLER AXLE SET SCRE | 2            |
| 215         | A16267      | LABEL WARNING        | 1            |
| 216         | A16268      | LABEL WARNING        | 1            |
| 217         | A16269      | LABEL WARNING        | 1            |
| 218         | H140        | HOSE ASSY CHEMICAL   | 1            |
| 219         | D21436      | SCREW .250-20X.750 U | 2            |
| 220         | D21437      | NUT.250-20 FLANGEHEA | 2            |
| 221         | D22268      | ISOLATOR RECESSED RU | 2            |
| 222         | NCT001      | TOOL NOZZLE CLEANING | 1            |
| 223         | D30374      | NOZZLE HOLDER RUBBER | 1            |
| 224         | 17730       | NOZZLE KIT 4.5 5 PAC | 1            |
| 225         | 90510760    | GUN                  | 1            |
| 225         | F179        | ORING 1/4 QC         | 1            |
| 226         | N000579     | HOSE ASSEMBLY        | 1            |
| 226         | A20559      | HOSE ASSEMBLY        | 1            |
| 227         | A21252      | LANCE EXT            | 1            |
| 228         | A19985      | SOCKET QUIK CONNECT  | 1            |
| 229         | D30492      | BUTTON SNAP .302 DIA | 2            |
| 230         | A20817      | NAMEPLATE            | 1            |
| 231         | 17086       | REEL HOSE 100 CAP 3/ | 1            |
| 232         | A16255      | HANDLE               | 1            |
| 233         | 16087       | NUT .313-18 UNC FLAN | 4            |
| 234         | F064        | SCREW .313-18X1.00 H | 4            |
| 238         | F039        | PLUG QUICK CONNECT F | 1            |
| 239         | 17657       | VALVE THERMAL RELIEF | 1            |
| 241         | A08076      | HOSE                 | 1            |
| 242         | S065        | CLAMP PRESS WASHER   | 2            |

COPYRIGHT© 2005. All Rights Reserved.

Parts list, pricing, and availability subject to change. Please visit [www.dewaltservicenet.com](http://www.dewaltservicenet.com) for current parts information.



## Parts List for DP3900 Type 1

| Item Number | Part Number | Description        | Qty Required |
|-------------|-------------|--------------------|--------------|
| 250         | 90509698    | SIDE HANDLE        | 1            |
| 251         | 90510816    | NAMEPLATE          | 1            |
| 252         | 90510282    | WARNING LABEL      | 1            |
| 253         | 90510283    | WARNING LABEL      | 1            |
| 256         | A06754      | VALVE              | 1            |
| 257         | 17098       | FILTER INLINE ASSY | 1            |
| 260         | A15412      | SCREW              | 4            |
| 261         | A14647      | PLATE              | 1            |
| 401         | 285805-44   | GASKET             | 1            |
| 402         | 285807-16   | ELEMENT            | 1            |
| 403         | 285807-17   | FILTER             | 1            |
| 404         | 285807-18   | COVER              | 1            |
| 405         | 285800-05   | GROMMET            | 1            |
| 406         | 285805-48   | COLLAR             | 2            |
| 407         | 285800-07   | COLLAR             | 1            |
| 408         | 285807-20   | ELBOW              | 1            |
| 409         | 285800-46   | NUT                | 2            |
| 411         | 285800-11   | WING NUT           | 2            |
| 412         | 285807-19   | NOSE               | 1            |
| 413         | 285805-50   | BOLT               | 1            |
| 419         | 285803-03   | FAN                | 1            |
| 420         | 285807-01   | FLYWHEEL           | 1            |
| 421         | 285803-05   | NUT                | 1            |
| 422         | 285803-06   | KEY                | 1            |
| 423         | 285807-00   | PULLEY             | 1            |
| 424         | 285803-08   | WEIGHT             | 1            |
| 425         | 285806-95   | CRANKSHAFT         | 1            |

COPYRIGHT© 2005. All Rights Reserved.

Parts list, pricing, and availability subject to change. Please visit [www.dewaltservicenet.com](http://www.dewaltservicenet.com) for current parts information.

## Parts List for DP3900 Type 1

| Item Number | Part Number | Description   | Qty Required |
|-------------|-------------|---------------|--------------|
| 426         | 285806-09   | BALL BEARING  | 1            |
| 427         | 285806-10   | CAMSHAFT      | 1            |
| 428         | 285803-11   | PUSH ROD      | 2            |
| 429         | 285803-12   | ARM           | 2            |
| 430         | 285803-13   | LIFTER        | 2            |
| 431         | 285800-18   | PIVOT         | 2            |
| 432         | 285800-19   | SPRING        | 1            |
| 433         | 285803-14   | INTAKE VALVE  | 1            |
| 434         | 285803-15   | VALVE         | 1            |
| 435         | 285803-16   | SPRING        | 2            |
| 436         | 285803-17   | RETAINER      | 1            |
| 437         | 285803-18   | RETAINER      | 1            |
| 438         | 285803-19   | SEAT          | 1            |
| 439         | 285803-20   | ROTATOR VALVE | 1            |
| 440         | 285803-21   | PLATE         | 1            |
| 441         | 285800-27   | BOLT          | 2            |
| 442         | 285800-28   | NUT           | 2            |
| 443         | 285803-22   | SEAL          | 1            |
| 447         | 285805-51   | GASKET SET    | 1            |
| 448         | 285803-76   | VALVE SET     | 1            |
| 449         | 285803-77   | FLOAT SET     | 1            |
| 450         | 285805-61   | CHAMBER SET   | 1            |
| 451         | 285800-51   | SET SCREW     | 1            |
| 452         | 285800-52   | SET SCREW     | 1            |
| 453         | 285800-53   | SET SCREW     | 1            |
| 454         | 285806-82   | CHOKE SET     | 1            |
| 455         | 285806-83   | CARBURETOR    | 1            |

COPYRIGHT© 2005. All Rights Reserved.

Parts list, pricing, and availability subject to change. Please visit [www.dewaltservicenet.com](http://www.dewaltservicenet.com) for current parts information.

## Parts List for DP3900 Type 1

| Item Number | Part Number | Description    | Qty Required |
|-------------|-------------|----------------|--------------|
| 456         | 285800-56   | SCREW          | 1            |
| 457         | 285806-84   | NOZZLE         | 1            |
| 458         | 285800-58   | O-RING         | 1            |
| 459         | 285806-85   | INSULATOR      | 1            |
| 460         | 285806-05   | GASKET         | 1            |
| 461         | 285805-56   | SPACER         | 1            |
| 462         | 285806-04   | GASKET         | 1            |
| 463         | 285800-63   | LEVER          | 1            |
| 464         | 285800-64   | LEVER          | 1            |
| 465         | 285800-65   | PLATE          | 1            |
| 466         | 285800-66   | SPRING         | 1            |
| 467         | 285800-67   | GASKET         | 1            |
| 468         | 285800-68   | CUP            | 1            |
| 469         | 285800-69   | SCREW          | 2            |
| 470         | 285800-70   | PIN            | 1            |
| 471         | 285806-87   | MAIN JET       | 1            |
| 471         | 285806-86   | MAIN JET       | 1            |
| 471         | 285805-59   | MAIN JET       | 1            |
| 472         | 285804-58   | JET            | 1            |
| 473         | 285802-81   | OIL SEAL       | 1            |
| 474         | 285801-10   | O-RING         | 1            |
| 475         | 285801-11   | NUT            | 1            |
| 476         | 285802-82   | WASHER         | 2            |
| 477         | 285802-83   | LOCK PIN       | 1            |
| 478         | 285801-14   | BOLT           | 2            |
| 479         | 285802-70   | BEARING        | 1            |
| 480         | 285801-22   | OIL ALERT UNIT | 1            |

COPYRIGHT© 2005. All Rights Reserved.

Parts list, pricing, and availability subject to change. Please visit [www.dewaltservicenet.com](http://www.dewaltservicenet.com) for current parts information.

## Parts List for DP3900 Type 1

| Item Number | Part Number | Description   | Qty Required |
|-------------|-------------|---------------|--------------|
| 481         | 285800-41   | BOLT          | 1            |
| 482         | 285802-85   | CYLINDER HEAD | 1            |
| 483         | 285802-86   | GUIDE         | 1            |
| 484         | 285802-87   | GUIDE         | 1            |
| 485         | 285802-88   | CLIP          | 1            |
| 486         | 285806-22   | GASKET        | 1            |
| 487         | 285802-90   | COVER         | 1            |
| 488         | 285802-91   | GASKET        | 1            |
| 489         | 285802-92   | BOLT          | 1            |
| 490         | 285806-97   | BOLT          | 2            |
| 491         | 285803-51   | TUBE          | 1            |
| 492         | 285802-95   | BOLT          | 2            |
| 493         | 285802-96   | WASHER        | 1            |
| 494         | 285802-97   | PIN           | 1            |
| 495         | 285804-79   | BOLT          | 4            |
| 496         | 285800-98   | SPARK PLUG    | 1            |
| 497         | 285803-39   | STARTER ASSY. | 1            |
| 498         | 285803-40   | CASE          | 1            |
| 499         | 285803-41   | PULLEY        | 1            |
| 500         | 285803-42   | RATCHET       | 2            |
| 501         | 285803-43   | SPRING        | 1            |
| 502         | 285803-44   | SPRING        | 1            |
| 503         | 285804-38   | BOLT          | 2            |
| 504         | 285803-46   | RETAINER      | 1            |
| 505         | 285803-45   | SPRING        | 1            |
| 506         | 285803-48   | GRIP          | 1            |
| 507         | 285803-49   | ROPE          | 1            |

COPYRIGHT© 2005. All Rights Reserved.

Parts list, pricing, and availability subject to change. Please visit [www.dewaltservicenet.com](http://www.dewaltservicenet.com) for current parts information.

## Parts List for DP3900 Type 1

| Item Number | Part Number | Description    | Qty Required |
|-------------|-------------|----------------|--------------|
| 508         | 285802-71   | OIL SEAL       | 1            |
| 510         | 285803-50   | SCREW          | 1            |
| 511         | 285802-79   | WASHER         | 1            |
| 533         | 285801-33   | RUBBER TUBE    | 1            |
| 534         | 285801-34   | JOINT          | 1            |
| 535         | 285807-02   | TANK           | 1            |
| 536         | 285807-03   | FUEL CAP       | 1            |
| 537         | 285807-04   | GASKET         | 1            |
| 538         | 285801-10   | O-RING         | 1            |
| 539         | 285803-72   | NUT            | 2            |
| 540         | 285801-40   | HOSE           | 1            |
| 541         | 285801-41   | CLIP           | 4            |
| 542         | 285805-87   | BOLT           | 2            |
| 543         | 285801-53   | BOLT           | 3            |
| 547         | 285803-84   | COLLAR         | 1            |
| 567         | 285807-05   | MUFFLER        | 1            |
| 568         | 285807-06   | PROTECTOR      | 1            |
| 569         | 285807-07   | PROTECTOR      | 1            |
| 570         | 285805-92   | EXHAUST PIPE   | 1            |
| 571         | 285807-08   | CAP            | 1            |
| 572         | 285807-09   | GASKET         | 1            |
| 573         | 285807-10   | SPARK ARRESTOR | 1            |
| 574         | 285805-95   | GASKET         | 1            |
| 575         | 285800-41   | BOLT           | 1            |
| 576         | 285801-71   | SCREW          | 5            |
| 577         | 285801-72   | SCREW          | 3            |
| 578         | 285803-72   | NUT            | 5            |

COPYRIGHT© 2005. All Rights Reserved.

Parts list, pricing, and availability subject to change. Please visit [www.dewaltservicenet.com](http://www.dewaltservicenet.com) for current parts information.

## Parts List for DP3900 Type 1

| Item Number | Part Number | Description    | Qty Required |
|-------------|-------------|----------------|--------------|
| 579         | 285807-12   | CAUTION LABEL  | 1            |
| 580         | 285807-11   | SCREW          | 1            |
| 583         | 285804-86   | IGNITION COIL  | 1            |
| 584         | 285801-30   | CAPACITOR ASSY | 1            |
| 588         | 285804-24   | GROMMET        | 1            |
| 589         | 285804-88   | WIRE           | 1            |
| 593         | 285802-29   | BOLT           | 2            |
| 594         | 285806-23   | EMBLEM         | 1            |
| 599         | 285805-86   | FILTER         | 1            |
| 602         | 285806-93   | COVER ASSEMBLY | 1            |
| 603         | 285804-36   | GASKET         | 1            |
| 604         | 285800-77   | CAP ASSY.      | 1            |
| 605         | 285802-74   | CAP ASSY.      | 1            |
| 606         | 285800-78   | GASKET         | 2            |
| 607         | 285802-64   | GOVERNOR       | 1            |
| 608         | 285802-66   | WEIGHT         | 2            |
| 609         | 285802-65   | HOLDER         | 1            |
| 610         | 285802-67   | PIN            | 1            |
| 611         | 285802-68   | SLIDER         | 1            |
| 612         | 285801-07   | CLIP           | 1            |
| 613         | 285802-73   | DOWEL PIN      | 2            |
| 614         | 285802-71   | OIL SEAL       | 1            |
| 615         | 285801-12   | WASHER         | 1            |
| 616         | 285802-72   | BOLT           | 1            |
| 617         | 285802-70   | BEARING        | 1            |
| 618         | 285802-69   | BEARING        | 1            |
| 620         | 285805-77   | KEY            | 1            |

COPYRIGHT© 2005. All Rights Reserved.

Parts list, pricing, and availability subject to change. Please visit [www.dewaltservicenet.com](http://www.dewaltservicenet.com) for current parts information.

## Parts List for DP3900 Type 1

| Item Number | Part Number | Description   | Qty Required |
|-------------|-------------|---------------|--------------|
| 626         | 285805-80   | CLIP          | 1            |
| 629         | 285806-90   | CONTROL ASSY  | 1            |
| 630         | 285806-88   | ARM           | 1            |
| 631         | 285803-25   | ROD           | 1            |
| 632         | 285803-26   | SPRING        | 1            |
| 633         | 285806-89   | SPRING        | 1            |
| 634         | 285806-91   | CONTROL LEVER | 1            |
| 635         | 285800-35   | SPRING        | 1            |
| 636         | 285805-66   | WASHER        | 1            |
| 637         | 285800-37   | HOLDER        | 1            |
| 638         | 285805-67   | SPACER        | 1            |
| 639         | 285800-39   | SPRING        | 1            |
| 640         | 285805-69   | SPRING        | 1            |
| 641         | 285800-41   | BOLT          | 2            |
| 642         | 285800-42   | BOLT          | 1            |
| 643         | 285800-43   | NUT           | 1            |
| 644         | 285806-92   | SCREW         | 1            |
| 645         | 285802-21   | SCREW         | 1            |
| 646         | 285800-46   | NUT           | 1            |
| 654         | 285806-13   | RING SET      | 1            |
| 654         | 285806-14   | RING SET      | 1            |
| 654         | 285806-12   | RING SET      | 1            |
| 654         | 285806-24   | RING SET      | 1            |
| 655         | 285806-17   | PISTON        | 1            |
| 655         | 285806-18   | PISTON        | 1            |
| 655         | 285806-15   | PISTON        | 1            |
| 655         | 285806-16   | PISTON        | 1            |

COPYRIGHT© 2005. All Rights Reserved.

Parts list, pricing, and availability subject to change. Please visit [www.dewaltservicenet.com](http://www.dewaltservicenet.com) for current parts information.

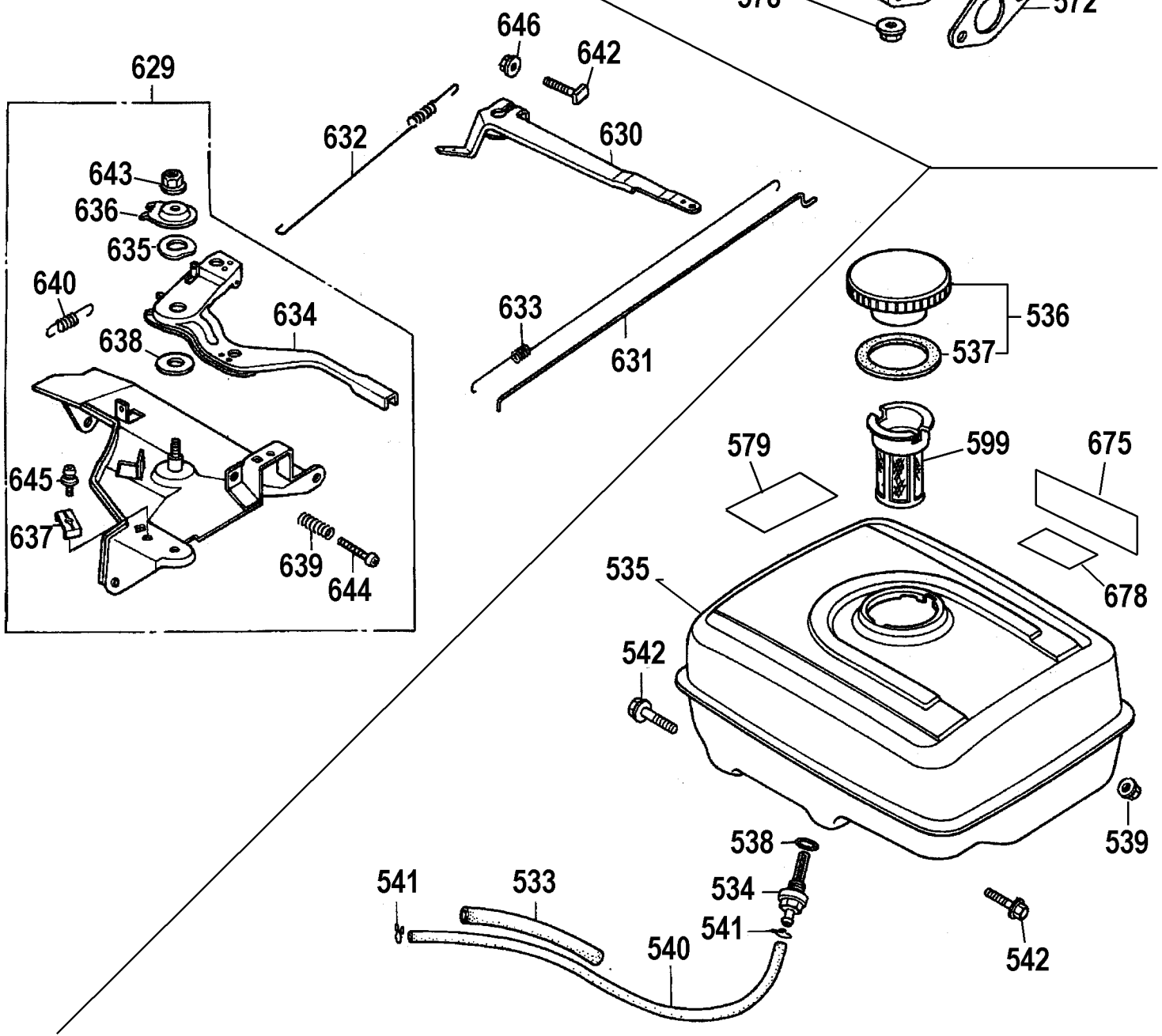
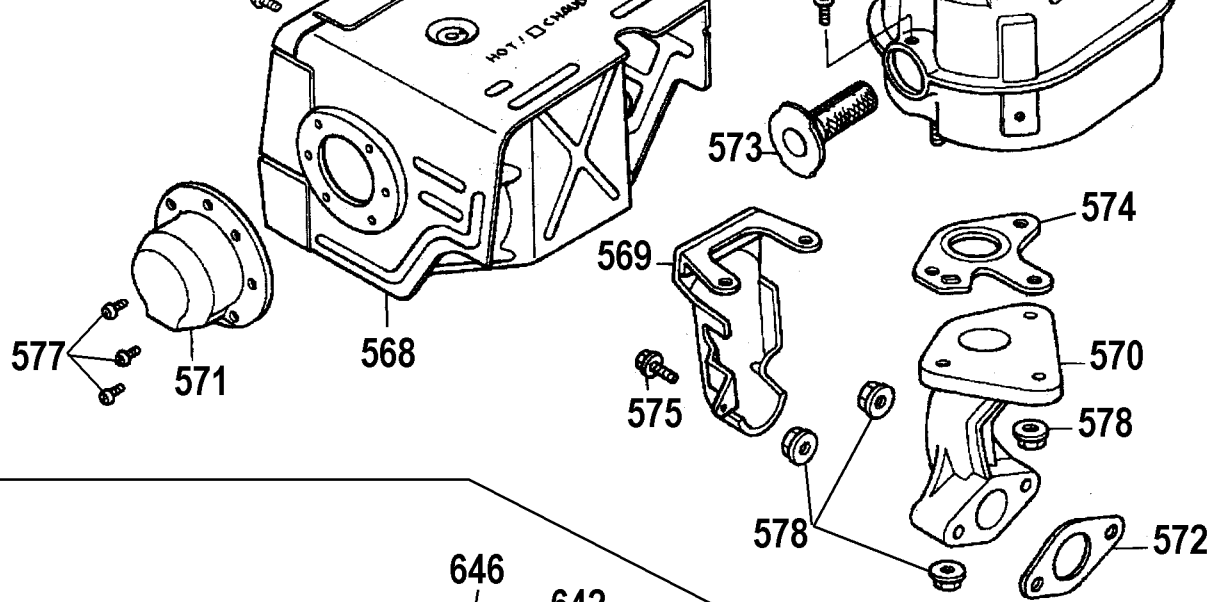
## Parts List for DP3900 Type 1

| Item Number | Part Number | Description    | Qty Required |
|-------------|-------------|----------------|--------------|
| 656         | 285807-15   | PIN            | 1            |
| 657         | 285806-20   | CONNECTING ROD | 1            |
| 657         | 285806-19   | CONNECTING ROD | 1            |
| 658         | 285803-37   | BOLT           | 2            |
| 659         | 285803-38   | CLIP           | 2            |
| 660         | 285806-98   | COVER          | 1            |
| 661         | 285803-00   | SHROUD         | 1            |
| 662         | 285806-99   | SWITCH ASSY.   | 1            |
| 663         | 285800-41   | BOLT           | 6            |
| 664         | 285805-82   | CLIP           | 1            |
| 665         | A08642      | ENGINE         | 1            |
| 666         | 285802-76   | SWITCH ASSY    | 1            |
| 667         | 285802-77   | SHAFT          | 1            |
| 675         | 285801-75   | LABEL          | 1            |
| 676         | 285805-88   | LABEL          | 1            |
| 678         | 285801-78   | LABEL          | 1            |

COPYRIGHT© 2005. All Rights Reserved.

Parts list, pricing, and availability subject to change. Please visit [www.dewaltservicenet.com](http://www.dewaltservicenet.com) for current parts information.





## Parts List for DP3900 Type 1

| Item Number | Part Number | Description          | Qty Required |
|-------------|-------------|----------------------|--------------|
| 1           | A03496      | PUMP                 | 1            |
| 2           | A08896      | SCREW                | 4            |
| 3           | P313        | WASHER LOCK GEN 9670 | 4            |
| 9           | A08904      | ORING                | 6            |
| 10          | A08905      | CAP VALVE            | 6            |
| 11          | A08927      | KIT VALVE            | 1            |
| 12          | 15713       | SCREW .250-20X.50 GE | 4            |
| 13          | 15898       | COVER BEARING        | 1            |
| 14          | A08906      | INDICATOR OIL LEVEL  | 1            |
| 15          | 15727       | ORING                | 2            |
| 17          | A08928      | KIT OIL SEAL         | 1            |
| 19          | P467        | DIPSTICK             | 1            |
| 22          | A08907      | GUIDE PLUNGER        | 3            |
| 23          | A08908      | ROD CONNECTING       | 3            |
| 24          | A08909      | ORING COVER          | 1            |
| 25          | A08910      | COVER REAR CRANKCASE | 1            |
| 26          | A08911      | SCREW                | 1            |
| 27          | A08912      | ORING                | 1            |
| 28          | A08913      | PLUG                 | 2            |
| 29          | A08914      | PIN CON ROD          | 3            |
| 30          | A08915      | FLINGER WASHER       | 3            |
| 31          | A08916      | RING ANTI EXTRUSION  | 3            |
| 32          | A08917      | ORING                | 3            |
| 33          | P619        | PLUNGER CERAMIC GEN  | 3            |
| 34          | A08918      | BUSHING              | 3            |
| 35          | 15838       | NUT PLUNGER GEN 9222 | 3            |
| 40          | A08930      | RETAINER             | 1            |

COPYRIGHT© 2005. All Rights Reserved.

Parts list, pricing, and availability subject to change. Please visit [www.dewaltservicenet.com](http://www.dewaltservicenet.com) for current parts information.

## Parts List for DP3900 Type 1

| Item Number | Part Number | Description          | Qty Required |
|-------------|-------------|----------------------|--------------|
| 41          | A08929      | KIT WATER PACK       | 1            |
| 42          | 5140058-69  | O-RING               | 3            |
| 43          | A08931      | RETAINER             | 1            |
| 49          | A08919      | INDICATOR OIL LEVEL  | 1            |
| 50          | A08920      | ORING                | 1            |
| 61          | A08921      | FLANGE ENGINE        | 1            |
| 62          | 5140046-41  | OIL SEAL             | 1            |
| 63          | A08922      | WASHER               | 4            |
| 64          | A08923      | SCREW                | 4            |
| 91          | A08934      | KIT UNLOADER         | 1            |
| 91          | 5140047-15  | HANDLE               | 1            |
| 120         | P064        | ORING GEN 90383200   | 1            |
| 121         | A08924      | NIPPLE               | 1            |
| 130         | A08925      | ORING                | 1            |
| 131         | A08926      | NOZZLE               | 1            |
| 132         | A08935      | INJECTOR CHEMICAL    | 1            |
| 201         | A08642      | ENGINE               | 1            |
| 202         | D23124      | LABEL, WARNING       | 1            |
| 203         | A14552      | LABEL HOT SURFACE    | 1            |
| 205         | A03496      | PUMP                 | 1            |
| 206         | A20826      | WARNING LABEL        | 1            |
| 208         | A11349      | BOLT .375-16X1.25 FL | 4            |
| 209         | A13853      | FRAME                | 1            |
| 210         | A14639      | HANDLE               | 1            |
| 211         | A18466      | NUT                  | 4            |
| 212         | 18300       | BOLT .375-16X1.75 FL | 4            |
| 213         | A14452      | TIRE, PNEUMATIC      | 2            |

COPYRIGHT© 2005. All Rights Reserved.

Parts list, pricing, and availability subject to change. Please visit [www.dewaltservicenet.com](http://www.dewaltservicenet.com) for current parts information.

## Parts List for DP3900 Type 1

| Item Number | Part Number | Description          | Qty Required |
|-------------|-------------|----------------------|--------------|
| 214         | D30249      | COLLER AXLE SET SCRE | 2            |
| 215         | A16267      | LABEL WARNING        | 1            |
| 216         | A16268      | LABEL WARNING        | 1            |
| 217         | A16269      | LABEL WARNING        | 1            |
| 218         | H140        | HOSE ASSY CHEMICAL   | 1            |
| 219         | D21436      | SCREW .250-20X.750 U | 2            |
| 220         | D21437      | NUT.250-20 FLANGEHEA | 2            |
| 221         | D22268      | ISOLATOR RECESSED RU | 2            |
| 222         | NCT001      | TOOL NOZZLE CLEANING | 1            |
| 223         | D30374      | NOZZLE HOLDER RUBBER | 1            |
| 224         | 17730       | NOZZLE KIT 4.5 5 PAC | 1            |
| 225         | 90510760    | GUN                  | 1            |
| 225         | F179        | ORING 1/4 QC         | 1            |
| 226         | N000579     | HOSE ASSEMBLY        | 1            |
| 226         | A20559      | HOSE ASSEMBLY        | 1            |
| 227         | A21252      | LANCE EXT            | 1            |
| 228         | A19985      | SOCKET QUIK CONNECT  | 1            |
| 229         | D30492      | BUTTON SNAP .302 DIA | 2            |
| 230         | A20817      | NAMEPLATE            | 1            |
| 231         | 17086       | REEL HOSE 100 CAP 3/ | 1            |
| 232         | A16255      | HANDLE               | 1            |
| 233         | 16087       | NUT .313-18 UNC FLAN | 4            |
| 234         | F064        | SCREW .313-18X1.00 H | 4            |
| 238         | F039        | PLUG QUICK CONNECT F | 1            |
| 239         | 17657       | VALVE THERMAL RELIEF | 1            |
| 241         | A08076      | HOSE                 | 1            |
| 242         | S065        | CLAMP PRESS WASHER   | 2            |

COPYRIGHT© 2005. All Rights Reserved.

Parts list, pricing, and availability subject to change. Please visit [www.dewaltservicenet.com](http://www.dewaltservicenet.com) for current parts information.

## Parts List for DP3900 Type 1

| Item Number | Part Number | Description        | Qty Required |
|-------------|-------------|--------------------|--------------|
| 250         | 90509698    | SIDE HANDLE        | 1            |
| 251         | 90510816    | NAMEPLATE          | 1            |
| 252         | 90510282    | WARNING LABEL      | 1            |
| 253         | 90510283    | WARNING LABEL      | 1            |
| 256         | A06754      | VALVE              | 1            |
| 257         | 17098       | FILTER INLINE ASSY | 1            |
| 260         | A15412      | SCREW              | 4            |
| 261         | A14647      | PLATE              | 1            |
| 401         | 285805-44   | GASKET             | 1            |
| 402         | 285807-16   | ELEMENT            | 1            |
| 403         | 285807-17   | FILTER             | 1            |
| 404         | 285807-18   | COVER              | 1            |
| 405         | 285800-05   | GROMMET            | 1            |
| 406         | 285805-48   | COLLAR             | 2            |
| 407         | 285800-07   | COLLAR             | 1            |
| 408         | 285807-20   | ELBOW              | 1            |
| 409         | 285800-46   | NUT                | 2            |
| 411         | 285800-11   | WING NUT           | 2            |
| 412         | 285807-19   | NOSE               | 1            |
| 413         | 285805-50   | BOLT               | 1            |
| 419         | 285803-03   | FAN                | 1            |
| 420         | 285807-01   | FLYWHEEL           | 1            |
| 421         | 285803-05   | NUT                | 1            |
| 422         | 285803-06   | KEY                | 1            |
| 423         | 285807-00   | PULLEY             | 1            |
| 424         | 285803-08   | WEIGHT             | 1            |
| 425         | 285806-95   | CRANKSHAFT         | 1            |

COPYRIGHT© 2005. All Rights Reserved.

Parts list, pricing, and availability subject to change. Please visit [www.dewaltservicenetwork.com](http://www.dewaltservicenetwork.com) for current parts information.

## Parts List for DP3900 Type 1

| Item Number | Part Number | Description   | Qty Required |
|-------------|-------------|---------------|--------------|
| 426         | 285806-09   | BALL BEARING  | 1            |
| 427         | 285806-10   | CAMSHAFT      | 1            |
| 428         | 285803-11   | PUSH ROD      | 2            |
| 429         | 285803-12   | ARM           | 2            |
| 430         | 285803-13   | LIFTER        | 2            |
| 431         | 285800-18   | PIVOT         | 2            |
| 432         | 285800-19   | SPRING        | 1            |
| 433         | 285803-14   | INTAKE VALVE  | 1            |
| 434         | 285803-15   | VALVE         | 1            |
| 435         | 285803-16   | SPRING        | 2            |
| 436         | 285803-17   | RETAINER      | 1            |
| 437         | 285803-18   | RETAINER      | 1            |
| 438         | 285803-19   | SEAT          | 1            |
| 439         | 285803-20   | ROTATOR VALVE | 1            |
| 440         | 285803-21   | PLATE         | 1            |
| 441         | 285800-27   | BOLT          | 2            |
| 442         | 285800-28   | NUT           | 2            |
| 443         | 285803-22   | SEAL          | 1            |
| 447         | 285805-51   | GASKET SET    | 1            |
| 448         | 285803-76   | VALVE SET     | 1            |
| 449         | 285803-77   | FLOAT SET     | 1            |
| 450         | 285805-61   | CHAMBER SET   | 1            |
| 451         | 285800-51   | SET SCREW     | 1            |
| 452         | 285800-52   | SET SCREW     | 1            |
| 453         | 285800-53   | SET SCREW     | 1            |
| 454         | 285806-82   | CHOKE SET     | 1            |
| 455         | 285806-83   | CARBURETOR    | 1            |

COPYRIGHT© 2005. All Rights Reserved.

Parts list, pricing, and availability subject to change. Please visit [www.dewaltservicenet.com](http://www.dewaltservicenet.com) for current parts information.

## Parts List for DP3900 Type 1

| Item Number | Part Number | Description    | Qty Required |
|-------------|-------------|----------------|--------------|
| 456         | 285800-56   | SCREW          | 1            |
| 457         | 285806-84   | NOZZLE         | 1            |
| 458         | 285800-58   | O-RING         | 1            |
| 459         | 285806-85   | INSULATOR      | 1            |
| 460         | 285806-05   | GASKET         | 1            |
| 461         | 285805-56   | SPACER         | 1            |
| 462         | 285806-04   | GASKET         | 1            |
| 463         | 285800-63   | LEVER          | 1            |
| 464         | 285800-64   | LEVER          | 1            |
| 465         | 285800-65   | PLATE          | 1            |
| 466         | 285800-66   | SPRING         | 1            |
| 467         | 285800-67   | GASKET         | 1            |
| 468         | 285800-68   | CUP            | 1            |
| 469         | 285800-69   | SCREW          | 2            |
| 470         | 285800-70   | PIN            | 1            |
| 471         | 285806-87   | MAIN JET       | 1            |
| 471         | 285806-86   | MAIN JET       | 1            |
| 471         | 285805-59   | MAIN JET       | 1            |
| 472         | 285804-58   | JET            | 1            |
| 473         | 285802-81   | OIL SEAL       | 1            |
| 474         | 285801-10   | O-RING         | 1            |
| 475         | 285801-11   | NUT            | 1            |
| 476         | 285802-82   | WASHER         | 2            |
| 477         | 285802-83   | LOCK PIN       | 1            |
| 478         | 285801-14   | BOLT           | 2            |
| 479         | 285802-70   | BEARING        | 1            |
| 480         | 285801-22   | OIL ALERT UNIT | 1            |

COPYRIGHT© 2005. All Rights Reserved.

Parts list, pricing, and availability subject to change. Please visit [www.dewaltservicenet.com](http://www.dewaltservicenet.com) for current parts information.

## Parts List for DP3900 Type 1

| Item Number | Part Number | Description   | Qty Required |
|-------------|-------------|---------------|--------------|
| 481         | 285800-41   | BOLT          | 1            |
| 482         | 285802-85   | CYLINDER HEAD | 1            |
| 483         | 285802-86   | GUIDE         | 1            |
| 484         | 285802-87   | GUIDE         | 1            |
| 485         | 285802-88   | CLIP          | 1            |
| 486         | 285806-22   | GASKET        | 1            |
| 487         | 285802-90   | COVER         | 1            |
| 488         | 285802-91   | GASKET        | 1            |
| 489         | 285802-92   | BOLT          | 1            |
| 490         | 285806-97   | BOLT          | 2            |
| 491         | 285803-51   | TUBE          | 1            |
| 492         | 285802-95   | BOLT          | 2            |
| 493         | 285802-96   | WASHER        | 1            |
| 494         | 285802-97   | PIN           | 1            |
| 495         | 285804-79   | BOLT          | 4            |
| 496         | 285800-98   | SPARK PLUG    | 1            |
| 497         | 285803-39   | STARTER ASSY. | 1            |
| 498         | 285803-40   | CASE          | 1            |
| 499         | 285803-41   | PULLEY        | 1            |
| 500         | 285803-42   | RATCHET       | 2            |
| 501         | 285803-43   | SPRING        | 1            |
| 502         | 285803-44   | SPRING        | 1            |
| 503         | 285804-38   | BOLT          | 2            |
| 504         | 285803-46   | RETAINER      | 1            |
| 505         | 285803-45   | SPRING        | 1            |
| 506         | 285803-48   | GRIP          | 1            |
| 507         | 285803-49   | ROPE          | 1            |

COPYRIGHT© 2005. All Rights Reserved.

Parts list, pricing, and availability subject to change. Please visit [www.dewaltservicenet.com](http://www.dewaltservicenet.com) for current parts information.



## Parts List for DP3900 Type 1

| Item Number | Part Number | Description    | Qty Required |
|-------------|-------------|----------------|--------------|
| 508         | 285802-71   | OIL SEAL       | 1            |
| 510         | 285803-50   | SCREW          | 1            |
| 511         | 285802-79   | WASHER         | 1            |
| 533         | 285801-33   | RUBBER TUBE    | 1            |
| 534         | 285801-34   | JOINT          | 1            |
| 535         | 285807-02   | TANK           | 1            |
| 536         | 285807-03   | FUEL CAP       | 1            |
| 537         | 285807-04   | GASKET         | 1            |
| 538         | 285801-10   | O-RING         | 1            |
| 539         | 285803-72   | NUT            | 2            |
| 540         | 285801-40   | HOSE           | 1            |
| 541         | 285801-41   | CLIP           | 4            |
| 542         | 285805-87   | BOLT           | 2            |
| 543         | 285801-53   | BOLT           | 3            |
| 547         | 285803-84   | COLLAR         | 1            |
| 567         | 285807-05   | MUFFLER        | 1            |
| 568         | 285807-06   | PROTECTOR      | 1            |
| 569         | 285807-07   | PROTECTOR      | 1            |
| 570         | 285805-92   | EXHAUST PIPE   | 1            |
| 571         | 285807-08   | CAP            | 1            |
| 572         | 285807-09   | GASKET         | 1            |
| 573         | 285807-10   | SPARK ARRESTOR | 1            |
| 574         | 285805-95   | GASKET         | 1            |
| 575         | 285800-41   | BOLT           | 1            |
| 576         | 285801-71   | SCREW          | 5            |
| 577         | 285801-72   | SCREW          | 3            |
| 578         | 285803-72   | NUT            | 5            |

COPYRIGHT© 2005. All Rights Reserved.

Parts list, pricing, and availability subject to change. Please visit [www.dewaltservicenet.com](http://www.dewaltservicenet.com) for current parts information.

## Parts List for DP3900 Type 1

| Item Number | Part Number | Description    | Qty Required |
|-------------|-------------|----------------|--------------|
| 579         | 285807-12   | CAUTION LABEL  | 1            |
| 580         | 285807-11   | SCREW          | 1            |
| 583         | 285804-86   | IGNITION COIL  | 1            |
| 584         | 285801-30   | CAPACITOR ASSY | 1            |
| 588         | 285804-24   | GROMMET        | 1            |
| 589         | 285804-88   | WIRE           | 1            |
| 593         | 285802-29   | BOLT           | 2            |
| 594         | 285806-23   | EMBLEM         | 1            |
| 599         | 285805-86   | FILTER         | 1            |
| 602         | 285806-93   | COVER ASSEMBLY | 1            |
| 603         | 285804-36   | GASKET         | 1            |
| 604         | 285800-77   | CAP ASSY.      | 1            |
| 605         | 285802-74   | CAP ASSY.      | 1            |
| 606         | 285800-78   | GASKET         | 2            |
| 607         | 285802-64   | GOVERNOR       | 1            |
| 608         | 285802-66   | WEIGHT         | 2            |
| 609         | 285802-65   | HOLDER         | 1            |
| 610         | 285802-67   | PIN            | 1            |
| 611         | 285802-68   | SLIDER         | 1            |
| 612         | 285801-07   | CLIP           | 1            |
| 613         | 285802-73   | DOWEL PIN      | 2            |
| 614         | 285802-71   | OIL SEAL       | 1            |
| 615         | 285801-12   | WASHER         | 1            |
| 616         | 285802-72   | BOLT           | 1            |
| 617         | 285802-70   | BEARING        | 1            |
| 618         | 285802-69   | BEARING        | 1            |
| 620         | 285805-77   | KEY            | 1            |

COPYRIGHT© 2005. All Rights Reserved.

Parts list, pricing, and availability subject to change. Please visit [www.dewaltservicenetwork.com](http://www.dewaltservicenetwork.com) for current parts information.

## Parts List for DP3900 Type 1

| Item Number | Part Number | Description   | Qty Required |
|-------------|-------------|---------------|--------------|
| 626         | 285805-80   | CLIP          | 1            |
| 629         | 285806-90   | CONTROL ASSY  | 1            |
| 630         | 285806-88   | ARM           | 1            |
| 631         | 285803-25   | ROD           | 1            |
| 632         | 285803-26   | SPRING        | 1            |
| 633         | 285806-89   | SPRING        | 1            |
| 634         | 285806-91   | CONTROL LEVER | 1            |
| 635         | 285800-35   | SPRING        | 1            |
| 636         | 285805-66   | WASHER        | 1            |
| 637         | 285800-37   | HOLDER        | 1            |
| 638         | 285805-67   | SPACER        | 1            |
| 639         | 285800-39   | SPRING        | 1            |
| 640         | 285805-69   | SPRING        | 1            |
| 641         | 285800-41   | BOLT          | 2            |
| 642         | 285800-42   | BOLT          | 1            |
| 643         | 285800-43   | NUT           | 1            |
| 644         | 285806-92   | SCREW         | 1            |
| 645         | 285802-21   | SCREW         | 1            |
| 646         | 285800-46   | NUT           | 1            |
| 654         | 285806-13   | RING SET      | 1            |
| 654         | 285806-14   | RING SET      | 1            |
| 654         | 285806-12   | RING SET      | 1            |
| 654         | 285806-24   | RING SET      | 1            |
| 655         | 285806-17   | PISTON        | 1            |
| 655         | 285806-18   | PISTON        | 1            |
| 655         | 285806-15   | PISTON        | 1            |
| 655         | 285806-16   | PISTON        | 1            |

COPYRIGHT© 2005. All Rights Reserved.

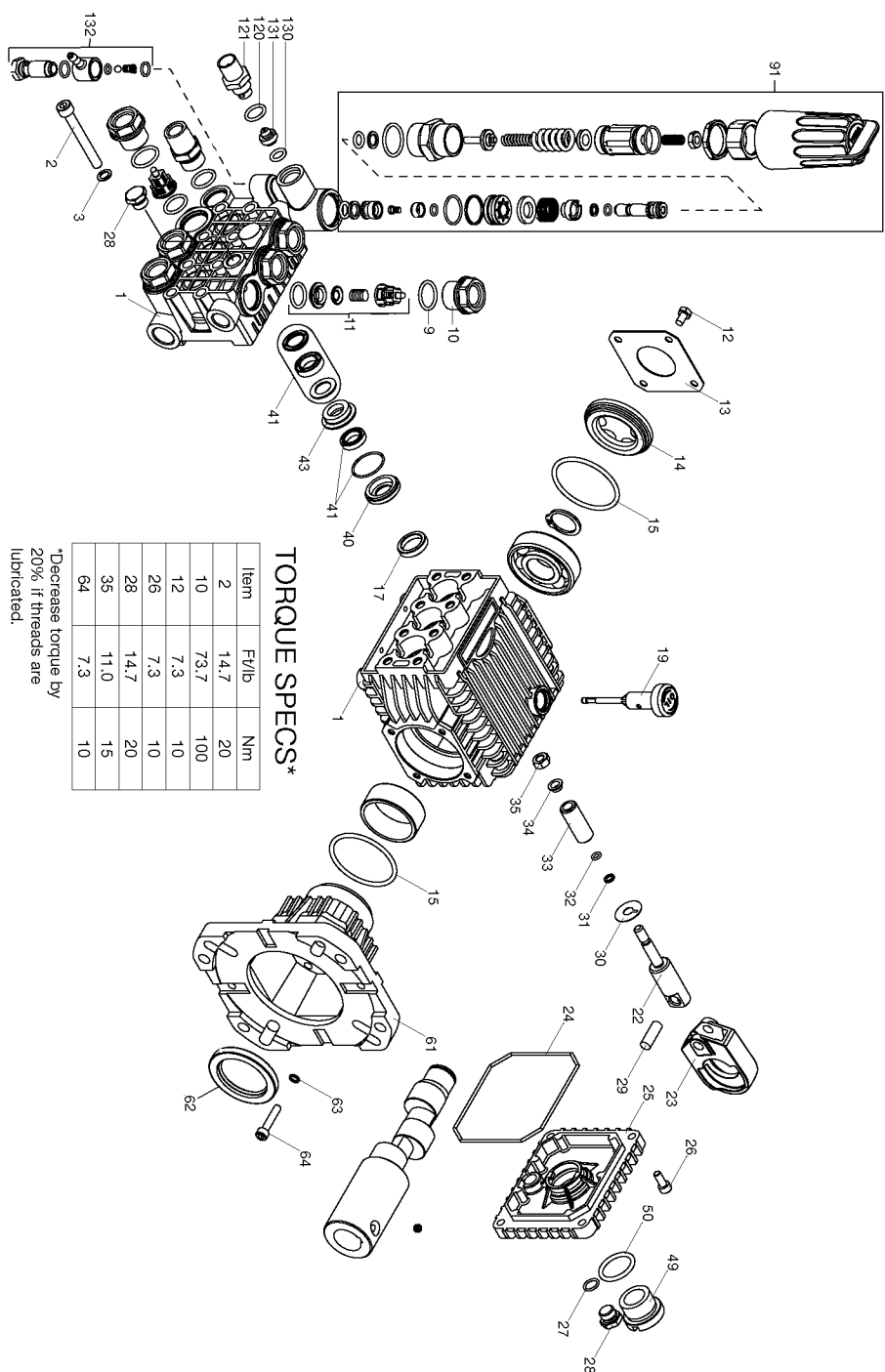
Parts list, pricing, and availability subject to change. Please visit [www.dewaltservicenet.com](http://www.dewaltservicenet.com) for current parts information.

## Parts List for DP3900 Type 1

| Item Number | Part Number | Description    | Qty Required |
|-------------|-------------|----------------|--------------|
| 656         | 285807-15   | PIN            | 1            |
| 657         | 285806-20   | CONNECTING ROD | 1            |
| 657         | 285806-19   | CONNECTING ROD | 1            |
| 658         | 285803-37   | BOLT           | 2            |
| 659         | 285803-38   | CLIP           | 2            |
| 660         | 285806-98   | COVER          | 1            |
| 661         | 285803-00   | SHROUD         | 1            |
| 662         | 285806-99   | SWITCH ASSY.   | 1            |
| 663         | 285800-41   | BOLT           | 6            |
| 664         | 285805-82   | CLIP           | 1            |
| 665         | A08642      | ENGINE         | 1            |
| 666         | 285802-76   | SWITCH ASSY    | 1            |
| 667         | 285802-77   | SHAFT          | 1            |
| 675         | 285801-75   | LABEL          | 1            |
| 676         | 285805-88   | LABEL          | 1            |
| 678         | 285801-78   | LABEL          | 1            |

COPYRIGHT© 2005. All Rights Reserved.

Parts list, pricing, and availability subject to change. Please visit [www.dewaltservicenet.com](http://www.dewaltservicenet.com) for current parts information.



**TORQUE SPECS\***

| Item | Ft/Lb | Nm  |
|------|-------|-----|
| 2    | 14.7  | 20  |
| 10   | 73.7  | 100 |
| 12   | 7.3   | 10  |
| 26   | 7.3   | 10  |
| 28   | 14.7  | 20  |
| 35   | 11.0  | 15  |
| 64   | 7.3   | 10  |

\*Decrease torque by 20% if threads are lubricated.

## Parts List for DP3900 Type 1

| Item Number | Part Number | Description          | Qty Required |
|-------------|-------------|----------------------|--------------|
| 1           | A03496      | PUMP                 | 1            |
| 2           | A08896      | SCREW                | 4            |
| 3           | P313        | WASHER LOCK GEN 9670 | 4            |
| 9           | A08904      | ORING                | 6            |
| 10          | A08905      | CAP VALVE            | 6            |
| 11          | A08927      | KIT VALVE            | 1            |
| 12          | 15713       | SCREW .250-20X.50 GE | 4            |
| 13          | 15898       | COVER BEARING        | 1            |
| 14          | A08906      | INDICATOR OIL LEVEL  | 1            |
| 15          | 15727       | ORING                | 2            |
| 17          | A08928      | KIT OIL SEAL         | 1            |
| 19          | P467        | DIPSTICK             | 1            |
| 22          | A08907      | GUIDE PLUNGER        | 3            |
| 23          | A08908      | ROD CONNECTING       | 3            |
| 24          | A08909      | ORING COVER          | 1            |
| 25          | A08910      | COVER REAR CRANKCASE | 1            |
| 26          | A08911      | SCREW                | 1            |
| 27          | A08912      | ORING                | 1            |
| 28          | A08913      | PLUG                 | 2            |
| 29          | A08914      | PIN CON ROD          | 3            |
| 30          | A08915      | FLINGER WASHER       | 3            |
| 31          | A08916      | RING ANTI EXTRUSION  | 3            |
| 32          | A08917      | ORING                | 3            |
| 33          | P619        | PLUNGER CERAMIC GEN  | 3            |
| 34          | A08918      | BUSHING              | 3            |
| 35          | 15838       | NUT PLUNGER GEN 9222 | 3            |
| 40          | A08930      | RETAINER             | 1            |

COPYRIGHT© 2005. All Rights Reserved.

Parts list, pricing, and availability subject to change. Please visit [www.dewaltservicenet.com](http://www.dewaltservicenet.com) for current parts information.

## Parts List for DP3900 Type 1

| Item Number | Part Number | Description          | Qty Required |
|-------------|-------------|----------------------|--------------|
| 41          | A08929      | KIT WATER PACK       | 1            |
| 42          | 5140058-69  | O-RING               | 3            |
| 43          | A08931      | RETAINER             | 1            |
| 49          | A08919      | INDICATOR OIL LEVEL  | 1            |
| 50          | A08920      | ORING                | 1            |
| 61          | A08921      | FLANGE ENGINE        | 1            |
| 62          | 5140046-41  | OIL SEAL             | 1            |
| 63          | A08922      | WASHER               | 4            |
| 64          | A08923      | SCREW                | 4            |
| 91          | A08934      | KIT UNLOADER         | 1            |
| 91          | 5140047-15  | HANDLE               | 1            |
| 120         | P064        | ORING GEN 90383200   | 1            |
| 121         | A08924      | NIPPLE               | 1            |
| 130         | A08925      | ORING                | 1            |
| 131         | A08926      | NOZZLE               | 1            |
| 132         | A08935      | INJECTOR CHEMICAL    | 1            |
| 201         | A08642      | ENGINE               | 1            |
| 202         | D23124      | LABEL, WARNING       | 1            |
| 203         | A14552      | LABEL HOT SURFACE    | 1            |
| 205         | A03496      | PUMP                 | 1            |
| 206         | A20826      | WARNING LABEL        | 1            |
| 208         | A11349      | BOLT .375-16X1.25 FL | 4            |
| 209         | A13853      | FRAME                | 1            |
| 210         | A14639      | HANDLE               | 1            |
| 211         | A18466      | NUT                  | 4            |
| 212         | 18300       | BOLT .375-16X1.75 FL | 4            |
| 213         | A14452      | TIRE, PNEUMATIC      | 2            |

COPYRIGHT© 2005. All Rights Reserved.

Parts list, pricing, and availability subject to change. Please visit [www.dewaltservicenetwork.com](http://www.dewaltservicenetwork.com) for current parts information.

## Parts List for DP3900 Type 1

| Item Number | Part Number | Description          | Qty Required |
|-------------|-------------|----------------------|--------------|
| 214         | D30249      | COLLER AXLE SET SCRE | 2            |
| 215         | A16267      | LABEL WARNING        | 1            |
| 216         | A16268      | LABEL WARNING        | 1            |
| 217         | A16269      | LABEL WARNING        | 1            |
| 218         | H140        | HOSE ASSY CHEMICAL   | 1            |
| 219         | D21436      | SCREW .250-20X.750 U | 2            |
| 220         | D21437      | NUT.250-20 FLANGEHEA | 2            |
| 221         | D22268      | ISOLATOR RECESSED RU | 2            |
| 222         | NCT001      | TOOL NOZZLE CLEANING | 1            |
| 223         | D30374      | NOZZLE HOLDER RUBBER | 1            |
| 224         | 17730       | NOZZLE KIT 4.5 5 PAC | 1            |
| 225         | 90510760    | GUN                  | 1            |
| 225         | F179        | ORING 1/4 QC         | 1            |
| 226         | N000579     | HOSE ASSEMBLY        | 1            |
| 226         | A20559      | HOSE ASSEMBLY        | 1            |
| 227         | A21252      | LANCE EXT            | 1            |
| 228         | A19985      | SOCKET QUIK CONNECT  | 1            |
| 229         | D30492      | BUTTON SNAP .302 DIA | 2            |
| 230         | A20817      | NAMEPLATE            | 1            |
| 231         | 17086       | REEL HOSE 100 CAP 3/ | 1            |
| 232         | A16255      | HANDLE               | 1            |
| 233         | 16087       | NUT .313-18 UNC FLAN | 4            |
| 234         | F064        | SCREW .313-18X1.00 H | 4            |
| 238         | F039        | PLUG QUICK CONNECT F | 1            |
| 239         | 17657       | VALVE THERMAL RELIEF | 1            |
| 241         | A08076      | HOSE                 | 1            |
| 242         | S065        | CLAMP PRESS WASHER   | 2            |

COPYRIGHT© 2005. All Rights Reserved.

Parts list, pricing, and availability subject to change. Please visit [www.dewaltservicenet.com](http://www.dewaltservicenet.com) for current parts information.



## Parts List for DP3900 Type 1

| Item Number | Part Number | Description        | Qty Required |
|-------------|-------------|--------------------|--------------|
| 250         | 90509698    | SIDE HANDLE        | 1            |
| 251         | 90510816    | NAMEPLATE          | 1            |
| 252         | 90510282    | WARNING LABEL      | 1            |
| 253         | 90510283    | WARNING LABEL      | 1            |
| 256         | A06754      | VALVE              | 1            |
| 257         | 17098       | FILTER INLINE ASSY | 1            |
| 260         | A15412      | SCREW              | 4            |
| 261         | A14647      | PLATE              | 1            |
| 401         | 285805-44   | GASKET             | 1            |
| 402         | 285807-16   | ELEMENT            | 1            |
| 403         | 285807-17   | FILTER             | 1            |
| 404         | 285807-18   | COVER              | 1            |
| 405         | 285800-05   | GROMMET            | 1            |
| 406         | 285805-48   | COLLAR             | 2            |
| 407         | 285800-07   | COLLAR             | 1            |
| 408         | 285807-20   | ELBOW              | 1            |
| 409         | 285800-46   | NUT                | 2            |
| 411         | 285800-11   | WING NUT           | 2            |
| 412         | 285807-19   | NOSE               | 1            |
| 413         | 285805-50   | BOLT               | 1            |
| 419         | 285803-03   | FAN                | 1            |
| 420         | 285807-01   | FLYWHEEL           | 1            |
| 421         | 285803-05   | NUT                | 1            |
| 422         | 285803-06   | KEY                | 1            |
| 423         | 285807-00   | PULLEY             | 1            |
| 424         | 285803-08   | WEIGHT             | 1            |
| 425         | 285806-95   | CRANKSHAFT         | 1            |

COPYRIGHT© 2005. All Rights Reserved.

Parts list, pricing, and availability subject to change. Please visit [www.dewaltservicenet.com](http://www.dewaltservicenet.com) for current parts information.

## Parts List for DP3900 Type 1

| Item Number | Part Number | Description   | Qty Required |
|-------------|-------------|---------------|--------------|
| 426         | 285806-09   | BALL BEARING  | 1            |
| 427         | 285806-10   | CAMSHAFT      | 1            |
| 428         | 285803-11   | PUSH ROD      | 2            |
| 429         | 285803-12   | ARM           | 2            |
| 430         | 285803-13   | LIFTER        | 2            |
| 431         | 285800-18   | PIVOT         | 2            |
| 432         | 285800-19   | SPRING        | 1            |
| 433         | 285803-14   | INTAKE VALVE  | 1            |
| 434         | 285803-15   | VALVE         | 1            |
| 435         | 285803-16   | SPRING        | 2            |
| 436         | 285803-17   | RETAINER      | 1            |
| 437         | 285803-18   | RETAINER      | 1            |
| 438         | 285803-19   | SEAT          | 1            |
| 439         | 285803-20   | ROTATOR VALVE | 1            |
| 440         | 285803-21   | PLATE         | 1            |
| 441         | 285800-27   | BOLT          | 2            |
| 442         | 285800-28   | NUT           | 2            |
| 443         | 285803-22   | SEAL          | 1            |
| 447         | 285805-51   | GASKET SET    | 1            |
| 448         | 285803-76   | VALVE SET     | 1            |
| 449         | 285803-77   | FLOAT SET     | 1            |
| 450         | 285805-61   | CHAMBER SET   | 1            |
| 451         | 285800-51   | SET SCREW     | 1            |
| 452         | 285800-52   | SET SCREW     | 1            |
| 453         | 285800-53   | SET SCREW     | 1            |
| 454         | 285806-82   | CHOKE SET     | 1            |
| 455         | 285806-83   | CARBURETOR    | 1            |

COPYRIGHT© 2005. All Rights Reserved.

Parts list, pricing, and availability subject to change. Please visit [www.dewaltservicenet.com](http://www.dewaltservicenet.com) for current parts information.

## Parts List for DP3900 Type 1

| Item Number | Part Number | Description    | Qty Required |
|-------------|-------------|----------------|--------------|
| 456         | 285800-56   | SCREW          | 1            |
| 457         | 285806-84   | NOZZLE         | 1            |
| 458         | 285800-58   | O-RING         | 1            |
| 459         | 285806-85   | INSULATOR      | 1            |
| 460         | 285806-05   | GASKET         | 1            |
| 461         | 285805-56   | SPACER         | 1            |
| 462         | 285806-04   | GASKET         | 1            |
| 463         | 285800-63   | LEVER          | 1            |
| 464         | 285800-64   | LEVER          | 1            |
| 465         | 285800-65   | PLATE          | 1            |
| 466         | 285800-66   | SPRING         | 1            |
| 467         | 285800-67   | GASKET         | 1            |
| 468         | 285800-68   | CUP            | 1            |
| 469         | 285800-69   | SCREW          | 2            |
| 470         | 285800-70   | PIN            | 1            |
| 471         | 285806-87   | MAIN JET       | 1            |
| 471         | 285806-86   | MAIN JET       | 1            |
| 471         | 285805-59   | MAIN JET       | 1            |
| 472         | 285804-58   | JET            | 1            |
| 473         | 285802-81   | OIL SEAL       | 1            |
| 474         | 285801-10   | O-RING         | 1            |
| 475         | 285801-11   | NUT            | 1            |
| 476         | 285802-82   | WASHER         | 2            |
| 477         | 285802-83   | LOCK PIN       | 1            |
| 478         | 285801-14   | BOLT           | 2            |
| 479         | 285802-70   | BEARING        | 1            |
| 480         | 285801-22   | OIL ALERT UNIT | 1            |

COPYRIGHT© 2005. All Rights Reserved.

Parts list, pricing, and availability subject to change. Please visit [www.dewaltservicenet.com](http://www.dewaltservicenet.com) for current parts information.

## Parts List for DP3900 Type 1

| Item Number | Part Number | Description   | Qty Required |
|-------------|-------------|---------------|--------------|
| 481         | 285800-41   | BOLT          | 1            |
| 482         | 285802-85   | CYLINDER HEAD | 1            |
| 483         | 285802-86   | GUIDE         | 1            |
| 484         | 285802-87   | GUIDE         | 1            |
| 485         | 285802-88   | CLIP          | 1            |
| 486         | 285806-22   | GASKET        | 1            |
| 487         | 285802-90   | COVER         | 1            |
| 488         | 285802-91   | GASKET        | 1            |
| 489         | 285802-92   | BOLT          | 1            |
| 490         | 285806-97   | BOLT          | 2            |
| 491         | 285803-51   | TUBE          | 1            |
| 492         | 285802-95   | BOLT          | 2            |
| 493         | 285802-96   | WASHER        | 1            |
| 494         | 285802-97   | PIN           | 1            |
| 495         | 285804-79   | BOLT          | 4            |
| 496         | 285800-98   | SPARK PLUG    | 1            |
| 497         | 285803-39   | STARTER ASSY. | 1            |
| 498         | 285803-40   | CASE          | 1            |
| 499         | 285803-41   | PULLEY        | 1            |
| 500         | 285803-42   | RATCHET       | 2            |
| 501         | 285803-43   | SPRING        | 1            |
| 502         | 285803-44   | SPRING        | 1            |
| 503         | 285804-38   | BOLT          | 2            |
| 504         | 285803-46   | RETAINER      | 1            |
| 505         | 285803-45   | SPRING        | 1            |
| 506         | 285803-48   | GRIP          | 1            |
| 507         | 285803-49   | ROPE          | 1            |

COPYRIGHT© 2005. All Rights Reserved.

Parts list, pricing, and availability subject to change. Please visit [www.dewaltservicenet.com](http://www.dewaltservicenet.com) for current parts information.

## Parts List for DP3900 Type 1

| Item Number | Part Number | Description    | Qty Required |
|-------------|-------------|----------------|--------------|
| 508         | 285802-71   | OIL SEAL       | 1            |
| 510         | 285803-50   | SCREW          | 1            |
| 511         | 285802-79   | WASHER         | 1            |
| 533         | 285801-33   | RUBBER TUBE    | 1            |
| 534         | 285801-34   | JOINT          | 1            |
| 535         | 285807-02   | TANK           | 1            |
| 536         | 285807-03   | FUEL CAP       | 1            |
| 537         | 285807-04   | GASKET         | 1            |
| 538         | 285801-10   | O-RING         | 1            |
| 539         | 285803-72   | NUT            | 2            |
| 540         | 285801-40   | HOSE           | 1            |
| 541         | 285801-41   | CLIP           | 4            |
| 542         | 285805-87   | BOLT           | 2            |
| 543         | 285801-53   | BOLT           | 3            |
| 547         | 285803-84   | COLLAR         | 1            |
| 567         | 285807-05   | MUFFLER        | 1            |
| 568         | 285807-06   | PROTECTOR      | 1            |
| 569         | 285807-07   | PROTECTOR      | 1            |
| 570         | 285805-92   | EXHAUST PIPE   | 1            |
| 571         | 285807-08   | CAP            | 1            |
| 572         | 285807-09   | GASKET         | 1            |
| 573         | 285807-10   | SPARK ARRESTOR | 1            |
| 574         | 285805-95   | GASKET         | 1            |
| 575         | 285800-41   | BOLT           | 1            |
| 576         | 285801-71   | SCREW          | 5            |
| 577         | 285801-72   | SCREW          | 3            |
| 578         | 285803-72   | NUT            | 5            |

COPYRIGHT© 2005. All Rights Reserved.

Parts list, pricing, and availability subject to change. Please visit [www.dewaltservicenet.com](http://www.dewaltservicenet.com) for current parts information.

## Parts List for DP3900 Type 1

| Item Number | Part Number | Description    | Qty Required |
|-------------|-------------|----------------|--------------|
| 579         | 285807-12   | CAUTION LABEL  | 1            |
| 580         | 285807-11   | SCREW          | 1            |
| 583         | 285804-86   | IGNITION COIL  | 1            |
| 584         | 285801-30   | CAPACITOR ASSY | 1            |
| 588         | 285804-24   | GROMMET        | 1            |
| 589         | 285804-88   | WIRE           | 1            |
| 593         | 285802-29   | BOLT           | 2            |
| 594         | 285806-23   | EMBLEM         | 1            |
| 599         | 285805-86   | FILTER         | 1            |
| 602         | 285806-93   | COVER ASSEMBLY | 1            |
| 603         | 285804-36   | GASKET         | 1            |
| 604         | 285800-77   | CAP ASSY.      | 1            |
| 605         | 285802-74   | CAP ASSY.      | 1            |
| 606         | 285800-78   | GASKET         | 2            |
| 607         | 285802-64   | GOVERNOR       | 1            |
| 608         | 285802-66   | WEIGHT         | 2            |
| 609         | 285802-65   | HOLDER         | 1            |
| 610         | 285802-67   | PIN            | 1            |
| 611         | 285802-68   | SLIDER         | 1            |
| 612         | 285801-07   | CLIP           | 1            |
| 613         | 285802-73   | DOWEL PIN      | 2            |
| 614         | 285802-71   | OIL SEAL       | 1            |
| 615         | 285801-12   | WASHER         | 1            |
| 616         | 285802-72   | BOLT           | 1            |
| 617         | 285802-70   | BEARING        | 1            |
| 618         | 285802-69   | BEARING        | 1            |
| 620         | 285805-77   | KEY            | 1            |

COPYRIGHT© 2005. All Rights Reserved.

Parts list, pricing, and availability subject to change. Please visit [www.dewaltservicenet.com](http://www.dewaltservicenet.com) for current parts information.

## Parts List for DP3900 Type 1

| Item Number | Part Number | Description   | Qty Required |
|-------------|-------------|---------------|--------------|
| 626         | 285805-80   | CLIP          | 1            |
| 629         | 285806-90   | CONTROL ASSY  | 1            |
| 630         | 285806-88   | ARM           | 1            |
| 631         | 285803-25   | ROD           | 1            |
| 632         | 285803-26   | SPRING        | 1            |
| 633         | 285806-89   | SPRING        | 1            |
| 634         | 285806-91   | CONTROL LEVER | 1            |
| 635         | 285800-35   | SPRING        | 1            |
| 636         | 285805-66   | WASHER        | 1            |
| 637         | 285800-37   | HOLDER        | 1            |
| 638         | 285805-67   | SPACER        | 1            |
| 639         | 285800-39   | SPRING        | 1            |
| 640         | 285805-69   | SPRING        | 1            |
| 641         | 285800-41   | BOLT          | 2            |
| 642         | 285800-42   | BOLT          | 1            |
| 643         | 285800-43   | NUT           | 1            |
| 644         | 285806-92   | SCREW         | 1            |
| 645         | 285802-21   | SCREW         | 1            |
| 646         | 285800-46   | NUT           | 1            |
| 654         | 285806-13   | RING SET      | 1            |
| 654         | 285806-14   | RING SET      | 1            |
| 654         | 285806-12   | RING SET      | 1            |
| 654         | 285806-24   | RING SET      | 1            |
| 655         | 285806-17   | PISTON        | 1            |
| 655         | 285806-18   | PISTON        | 1            |
| 655         | 285806-15   | PISTON        | 1            |
| 655         | 285806-16   | PISTON        | 1            |

COPYRIGHT© 2005. All Rights Reserved.

Parts list, pricing, and availability subject to change. Please visit [www.dewaltservicenet.com](http://www.dewaltservicenet.com) for current parts information.

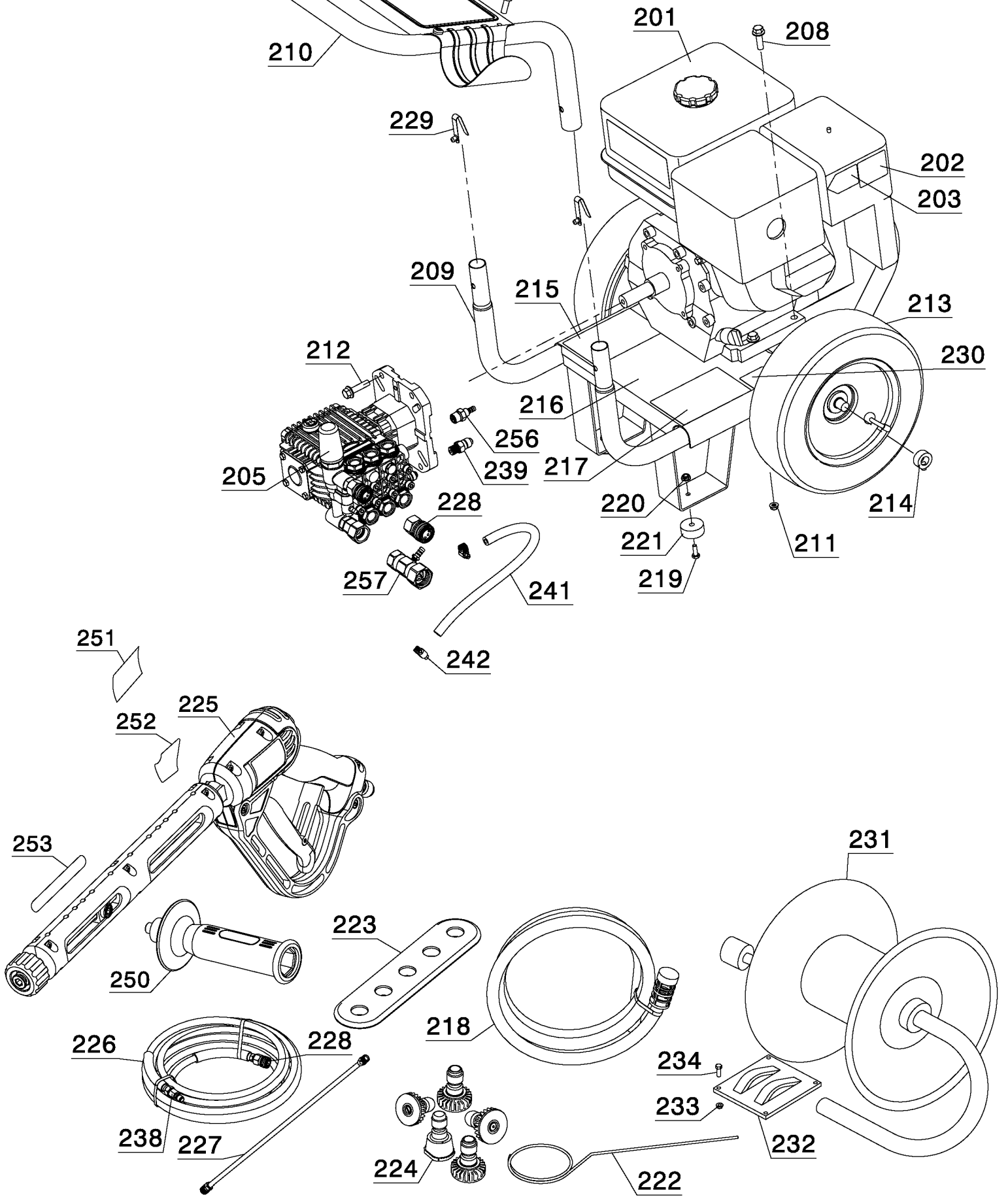
## Parts List for DP3900 Type 1

| Item Number | Part Number | Description    | Qty Required |
|-------------|-------------|----------------|--------------|
| 656         | 285807-15   | PIN            | 1            |
| 657         | 285806-20   | CONNECTING ROD | 1            |
| 657         | 285806-19   | CONNECTING ROD | 1            |
| 658         | 285803-37   | BOLT           | 2            |
| 659         | 285803-38   | CLIP           | 2            |
| 660         | 285806-98   | COVER          | 1            |
| 661         | 285803-00   | SHROUD         | 1            |
| 662         | 285806-99   | SWITCH ASSY.   | 1            |
| 663         | 285800-41   | BOLT           | 6            |
| 664         | 285805-82   | CLIP           | 1            |
| 665         | A08642      | ENGINE         | 1            |
| 666         | 285802-76   | SWITCH ASSY    | 1            |
| 667         | 285802-77   | SHAFT          | 1            |
| 675         | 285801-75   | LABEL          | 1            |
| 676         | 285805-88   | LABEL          | 1            |
| 678         | 285801-78   | LABEL          | 1            |

COPYRIGHT© 2005. All Rights Reserved.

Parts list, pricing, and availability subject to change. Please visit [www.dewaltservicenet.com](http://www.dewaltservicenet.com) for current parts information.





## Parts List for DP3900 Type 1

| Item Number | Part Number | Description          | Qty Required |
|-------------|-------------|----------------------|--------------|
| 1           | A03496      | PUMP                 | 1            |
| 2           | A08896      | SCREW                | 4            |
| 3           | P313        | WASHER LOCK GEN 9670 | 4            |
| 9           | A08904      | ORING                | 6            |
| 10          | A08905      | CAP VALVE            | 6            |
| 11          | A08927      | KIT VALVE            | 1            |
| 12          | 15713       | SCREW .250-20X.50 GE | 4            |
| 13          | 15898       | COVER BEARING        | 1            |
| 14          | A08906      | INDICATOR OIL LEVEL  | 1            |
| 15          | 15727       | ORING                | 2            |
| 17          | A08928      | KIT OIL SEAL         | 1            |
| 19          | P467        | DIPSTICK             | 1            |
| 22          | A08907      | GUIDE PLUNGER        | 3            |
| 23          | A08908      | ROD CONNECTING       | 3            |
| 24          | A08909      | ORING COVER          | 1            |
| 25          | A08910      | COVER REAR CRANKCASE | 1            |
| 26          | A08911      | SCREW                | 1            |
| 27          | A08912      | ORING                | 1            |
| 28          | A08913      | PLUG                 | 2            |
| 29          | A08914      | PIN CON ROD          | 3            |
| 30          | A08915      | FLINGER WASHER       | 3            |
| 31          | A08916      | RING ANTI EXTRUSION  | 3            |
| 32          | A08917      | ORING                | 3            |
| 33          | P619        | PLUNGER CERAMIC GEN  | 3            |
| 34          | A08918      | BUSHING              | 3            |
| 35          | 15838       | NUT PLUNGER GEN 9222 | 3            |
| 40          | A08930      | RETAINER             | 1            |

COPYRIGHT© 2005. All Rights Reserved.

Parts list, pricing, and availability subject to change. Please visit [www.dewaltservicenet.com](http://www.dewaltservicenet.com) for current parts information.

## Parts List for DP3900 Type 1

| Item Number | Part Number | Description          | Qty Required |
|-------------|-------------|----------------------|--------------|
| 41          | A08929      | KIT WATER PACK       | 1            |
| 42          | 5140058-69  | O-RING               | 3            |
| 43          | A08931      | RETAINER             | 1            |
| 49          | A08919      | INDICATOR OIL LEVEL  | 1            |
| 50          | A08920      | ORING                | 1            |
| 61          | A08921      | FLANGE ENGINE        | 1            |
| 62          | 5140046-41  | OIL SEAL             | 1            |
| 63          | A08922      | WASHER               | 4            |
| 64          | A08923      | SCREW                | 4            |
| 91          | A08934      | KIT UNLOADER         | 1            |
| 91          | 5140047-15  | HANDLE               | 1            |
| 120         | P064        | ORING GEN 90383200   | 1            |
| 121         | A08924      | NIPPLE               | 1            |
| 130         | A08925      | ORING                | 1            |
| 131         | A08926      | NOZZLE               | 1            |
| 132         | A08935      | INJECTOR CHEMICAL    | 1            |
| 201         | A08642      | ENGINE               | 1            |
| 202         | D23124      | LABEL, WARNING       | 1            |
| 203         | A14552      | LABEL HOT SURFACE    | 1            |
| 205         | A03496      | PUMP                 | 1            |
| 206         | A20826      | WARNING LABEL        | 1            |
| 208         | A11349      | BOLT .375-16X1.25 FL | 4            |
| 209         | A13853      | FRAME                | 1            |
| 210         | A14639      | HANDLE               | 1            |
| 211         | A18466      | NUT                  | 4            |
| 212         | 18300       | BOLT .375-16X1.75 FL | 4            |
| 213         | A14452      | TIRE, PNEUMATIC      | 2            |

COPYRIGHT© 2005. All Rights Reserved.

Parts list, pricing, and availability subject to change. Please visit [www.dewaltservicenet.com](http://www.dewaltservicenet.com) for current parts information.

## Parts List for DP3900 Type 1

| Item Number | Part Number | Description          | Qty Required |
|-------------|-------------|----------------------|--------------|
| 214         | D30249      | COLLER AXLE SET SCRE | 2            |
| 215         | A16267      | LABEL WARNING        | 1            |
| 216         | A16268      | LABEL WARNING        | 1            |
| 217         | A16269      | LABEL WARNING        | 1            |
| 218         | H140        | HOSE ASSY CHEMICAL   | 1            |
| 219         | D21436      | SCREW .250-20X.750 U | 2            |
| 220         | D21437      | NUT.250-20 FLANGEHEA | 2            |
| 221         | D22268      | ISOLATOR RECESSED RU | 2            |
| 222         | NCT001      | TOOL NOZZLE CLEANING | 1            |
| 223         | D30374      | NOZZLE HOLDER RUBBER | 1            |
| 224         | 17730       | NOZZLE KIT 4.5 5 PAC | 1            |
| 225         | 90510760    | GUN                  | 1            |
| 225         | F179        | ORING 1/4 QC         | 1            |
| 226         | N000579     | HOSE ASSEMBLY        | 1            |
| 226         | A20559      | HOSE ASSEMBLY        | 1            |
| 227         | A21252      | LANCE EXT            | 1            |
| 228         | A19985      | SOCKET QUIK CONNECT  | 1            |
| 229         | D30492      | BUTTON SNAP .302 DIA | 2            |
| 230         | A20817      | NAMEPLATE            | 1            |
| 231         | 17086       | REEL HOSE 100 CAP 3/ | 1            |
| 232         | A16255      | HANDLE               | 1            |
| 233         | 16087       | NUT .313-18 UNC FLAN | 4            |
| 234         | F064        | SCREW .313-18X1.00 H | 4            |
| 238         | F039        | PLUG QUICK CONNECT F | 1            |
| 239         | 17657       | VALVE THERMAL RELIEF | 1            |
| 241         | A08076      | HOSE                 | 1            |
| 242         | S065        | CLAMP PRESS WASHER   | 2            |

COPYRIGHT© 2005. All Rights Reserved.

Parts list, pricing, and availability subject to change. Please visit [www.dewaltservicenetwork.com](http://www.dewaltservicenetwork.com) for current parts information.

## Parts List for DP3900 Type 1

| Item Number | Part Number | Description        | Qty Required |
|-------------|-------------|--------------------|--------------|
| 250         | 90509698    | SIDE HANDLE        | 1            |
| 251         | 90510816    | NAMEPLATE          | 1            |
| 252         | 90510282    | WARNING LABEL      | 1            |
| 253         | 90510283    | WARNING LABEL      | 1            |
| 256         | A06754      | VALVE              | 1            |
| 257         | 17098       | FILTER INLINE ASSY | 1            |
| 260         | A15412      | SCREW              | 4            |
| 261         | A14647      | PLATE              | 1            |
| 401         | 285805-44   | GASKET             | 1            |
| 402         | 285807-16   | ELEMENT            | 1            |
| 403         | 285807-17   | FILTER             | 1            |
| 404         | 285807-18   | COVER              | 1            |
| 405         | 285800-05   | GROMMET            | 1            |
| 406         | 285805-48   | COLLAR             | 2            |
| 407         | 285800-07   | COLLAR             | 1            |
| 408         | 285807-20   | ELBOW              | 1            |
| 409         | 285800-46   | NUT                | 2            |
| 411         | 285800-11   | WING NUT           | 2            |
| 412         | 285807-19   | NOSE               | 1            |
| 413         | 285805-50   | BOLT               | 1            |
| 419         | 285803-03   | FAN                | 1            |
| 420         | 285807-01   | FLYWHEEL           | 1            |
| 421         | 285803-05   | NUT                | 1            |
| 422         | 285803-06   | KEY                | 1            |
| 423         | 285807-00   | PULLEY             | 1            |
| 424         | 285803-08   | WEIGHT             | 1            |
| 425         | 285806-95   | CRANKSHAFT         | 1            |

COPYRIGHT© 2005. All Rights Reserved.

Parts list, pricing, and availability subject to change. Please visit [www.dewaltservicenet.com](http://www.dewaltservicenet.com) for current parts information.

## Parts List for DP3900 Type 1

| Item Number | Part Number | Description   | Qty Required |
|-------------|-------------|---------------|--------------|
| 426         | 285806-09   | BALL BEARING  | 1            |
| 427         | 285806-10   | CAMSHAFT      | 1            |
| 428         | 285803-11   | PUSH ROD      | 2            |
| 429         | 285803-12   | ARM           | 2            |
| 430         | 285803-13   | LIFTER        | 2            |
| 431         | 285800-18   | PIVOT         | 2            |
| 432         | 285800-19   | SPRING        | 1            |
| 433         | 285803-14   | INTAKE VALVE  | 1            |
| 434         | 285803-15   | VALVE         | 1            |
| 435         | 285803-16   | SPRING        | 2            |
| 436         | 285803-17   | RETAINER      | 1            |
| 437         | 285803-18   | RETAINER      | 1            |
| 438         | 285803-19   | SEAT          | 1            |
| 439         | 285803-20   | ROTATOR VALVE | 1            |
| 440         | 285803-21   | PLATE         | 1            |
| 441         | 285800-27   | BOLT          | 2            |
| 442         | 285800-28   | NUT           | 2            |
| 443         | 285803-22   | SEAL          | 1            |
| 447         | 285805-51   | GASKET SET    | 1            |
| 448         | 285803-76   | VALVE SET     | 1            |
| 449         | 285803-77   | FLOAT SET     | 1            |
| 450         | 285805-61   | CHAMBER SET   | 1            |
| 451         | 285800-51   | SET SCREW     | 1            |
| 452         | 285800-52   | SET SCREW     | 1            |
| 453         | 285800-53   | SET SCREW     | 1            |
| 454         | 285806-82   | CHOKE SET     | 1            |
| 455         | 285806-83   | CARBURETOR    | 1            |

COPYRIGHT© 2005. All Rights Reserved.

Parts list, pricing, and availability subject to change. Please visit [www.dewaltservicenet.com](http://www.dewaltservicenet.com) for current parts information.

## Parts List for DP3900 Type 1

| Item Number | Part Number | Description    | Qty Required |
|-------------|-------------|----------------|--------------|
| 456         | 285800-56   | SCREW          | 1            |
| 457         | 285806-84   | NOZZLE         | 1            |
| 458         | 285800-58   | O-RING         | 1            |
| 459         | 285806-85   | INSULATOR      | 1            |
| 460         | 285806-05   | GASKET         | 1            |
| 461         | 285805-56   | SPACER         | 1            |
| 462         | 285806-04   | GASKET         | 1            |
| 463         | 285800-63   | LEVER          | 1            |
| 464         | 285800-64   | LEVER          | 1            |
| 465         | 285800-65   | PLATE          | 1            |
| 466         | 285800-66   | SPRING         | 1            |
| 467         | 285800-67   | GASKET         | 1            |
| 468         | 285800-68   | CUP            | 1            |
| 469         | 285800-69   | SCREW          | 2            |
| 470         | 285800-70   | PIN            | 1            |
| 471         | 285806-87   | MAIN JET       | 1            |
| 471         | 285806-86   | MAIN JET       | 1            |
| 471         | 285805-59   | MAIN JET       | 1            |
| 472         | 285804-58   | JET            | 1            |
| 473         | 285802-81   | OIL SEAL       | 1            |
| 474         | 285801-10   | O-RING         | 1            |
| 475         | 285801-11   | NUT            | 1            |
| 476         | 285802-82   | WASHER         | 2            |
| 477         | 285802-83   | LOCK PIN       | 1            |
| 478         | 285801-14   | BOLT           | 2            |
| 479         | 285802-70   | BEARING        | 1            |
| 480         | 285801-22   | OIL ALERT UNIT | 1            |

COPYRIGHT© 2005. All Rights Reserved.

Parts list, pricing, and availability subject to change. Please visit [www.dewaltservicenet.com](http://www.dewaltservicenet.com) for current parts information.

## Parts List for DP3900 Type 1

| Item Number | Part Number | Description   | Qty Required |
|-------------|-------------|---------------|--------------|
| 481         | 285800-41   | BOLT          | 1            |
| 482         | 285802-85   | CYLINDER HEAD | 1            |
| 483         | 285802-86   | GUIDE         | 1            |
| 484         | 285802-87   | GUIDE         | 1            |
| 485         | 285802-88   | CLIP          | 1            |
| 486         | 285806-22   | GASKET        | 1            |
| 487         | 285802-90   | COVER         | 1            |
| 488         | 285802-91   | GASKET        | 1            |
| 489         | 285802-92   | BOLT          | 1            |
| 490         | 285806-97   | BOLT          | 2            |
| 491         | 285803-51   | TUBE          | 1            |
| 492         | 285802-95   | BOLT          | 2            |
| 493         | 285802-96   | WASHER        | 1            |
| 494         | 285802-97   | PIN           | 1            |
| 495         | 285804-79   | BOLT          | 4            |
| 496         | 285800-98   | SPARK PLUG    | 1            |
| 497         | 285803-39   | STARTER ASSY. | 1            |
| 498         | 285803-40   | CASE          | 1            |
| 499         | 285803-41   | PULLEY        | 1            |
| 500         | 285803-42   | RATCHET       | 2            |
| 501         | 285803-43   | SPRING        | 1            |
| 502         | 285803-44   | SPRING        | 1            |
| 503         | 285804-38   | BOLT          | 2            |
| 504         | 285803-46   | RETAINER      | 1            |
| 505         | 285803-45   | SPRING        | 1            |
| 506         | 285803-48   | GRIP          | 1            |
| 507         | 285803-49   | ROPE          | 1            |

COPYRIGHT© 2005. All Rights Reserved.

Parts list, pricing, and availability subject to change. Please visit [www.dewaltservicenet.com](http://www.dewaltservicenet.com) for current parts information.



## Parts List for DP3900 Type 1

| Item Number | Part Number | Description    | Qty Required |
|-------------|-------------|----------------|--------------|
| 508         | 285802-71   | OIL SEAL       | 1            |
| 510         | 285803-50   | SCREW          | 1            |
| 511         | 285802-79   | WASHER         | 1            |
| 533         | 285801-33   | RUBBER TUBE    | 1            |
| 534         | 285801-34   | JOINT          | 1            |
| 535         | 285807-02   | TANK           | 1            |
| 536         | 285807-03   | FUEL CAP       | 1            |
| 537         | 285807-04   | GASKET         | 1            |
| 538         | 285801-10   | O-RING         | 1            |
| 539         | 285803-72   | NUT            | 2            |
| 540         | 285801-40   | HOSE           | 1            |
| 541         | 285801-41   | CLIP           | 4            |
| 542         | 285805-87   | BOLT           | 2            |
| 543         | 285801-53   | BOLT           | 3            |
| 547         | 285803-84   | COLLAR         | 1            |
| 567         | 285807-05   | MUFFLER        | 1            |
| 568         | 285807-06   | PROTECTOR      | 1            |
| 569         | 285807-07   | PROTECTOR      | 1            |
| 570         | 285805-92   | EXHAUST PIPE   | 1            |
| 571         | 285807-08   | CAP            | 1            |
| 572         | 285807-09   | GASKET         | 1            |
| 573         | 285807-10   | SPARK ARRESTOR | 1            |
| 574         | 285805-95   | GASKET         | 1            |
| 575         | 285800-41   | BOLT           | 1            |
| 576         | 285801-71   | SCREW          | 5            |
| 577         | 285801-72   | SCREW          | 3            |
| 578         | 285803-72   | NUT            | 5            |

COPYRIGHT© 2005. All Rights Reserved.

Parts list, pricing, and availability subject to change. Please visit [www.dewaltservicenet.com](http://www.dewaltservicenet.com) for current parts information.

## Parts List for DP3900 Type 1

| Item Number | Part Number | Description    | Qty Required |
|-------------|-------------|----------------|--------------|
| 579         | 285807-12   | CAUTION LABEL  | 1            |
| 580         | 285807-11   | SCREW          | 1            |
| 583         | 285804-86   | IGNITION COIL  | 1            |
| 584         | 285801-30   | CAPACITOR ASSY | 1            |
| 588         | 285804-24   | GROMMET        | 1            |
| 589         | 285804-88   | WIRE           | 1            |
| 593         | 285802-29   | BOLT           | 2            |
| 594         | 285806-23   | EMBLEM         | 1            |
| 599         | 285805-86   | FILTER         | 1            |
| 602         | 285806-93   | COVER ASSEMBLY | 1            |
| 603         | 285804-36   | GASKET         | 1            |
| 604         | 285800-77   | CAP ASSY.      | 1            |
| 605         | 285802-74   | CAP ASSY.      | 1            |
| 606         | 285800-78   | GASKET         | 2            |
| 607         | 285802-64   | GOVERNOR       | 1            |
| 608         | 285802-66   | WEIGHT         | 2            |
| 609         | 285802-65   | HOLDER         | 1            |
| 610         | 285802-67   | PIN            | 1            |
| 611         | 285802-68   | SLIDER         | 1            |
| 612         | 285801-07   | CLIP           | 1            |
| 613         | 285802-73   | DOWEL PIN      | 2            |
| 614         | 285802-71   | OIL SEAL       | 1            |
| 615         | 285801-12   | WASHER         | 1            |
| 616         | 285802-72   | BOLT           | 1            |
| 617         | 285802-70   | BEARING        | 1            |
| 618         | 285802-69   | BEARING        | 1            |
| 620         | 285805-77   | KEY            | 1            |

COPYRIGHT© 2005. All Rights Reserved.

Parts list, pricing, and availability subject to change. Please visit [www.dewaltservicenet.com](http://www.dewaltservicenet.com) for current parts information.

## Parts List for DP3900 Type 1

| Item Number | Part Number | Description   | Qty Required |
|-------------|-------------|---------------|--------------|
| 626         | 285805-80   | CLIP          | 1            |
| 629         | 285806-90   | CONTROL ASSY  | 1            |
| 630         | 285806-88   | ARM           | 1            |
| 631         | 285803-25   | ROD           | 1            |
| 632         | 285803-26   | SPRING        | 1            |
| 633         | 285806-89   | SPRING        | 1            |
| 634         | 285806-91   | CONTROL LEVER | 1            |
| 635         | 285800-35   | SPRING        | 1            |
| 636         | 285805-66   | WASHER        | 1            |
| 637         | 285800-37   | HOLDER        | 1            |
| 638         | 285805-67   | SPACER        | 1            |
| 639         | 285800-39   | SPRING        | 1            |
| 640         | 285805-69   | SPRING        | 1            |
| 641         | 285800-41   | BOLT          | 2            |
| 642         | 285800-42   | BOLT          | 1            |
| 643         | 285800-43   | NUT           | 1            |
| 644         | 285806-92   | SCREW         | 1            |
| 645         | 285802-21   | SCREW         | 1            |
| 646         | 285800-46   | NUT           | 1            |
| 654         | 285806-13   | RING SET      | 1            |
| 654         | 285806-14   | RING SET      | 1            |
| 654         | 285806-12   | RING SET      | 1            |
| 654         | 285806-24   | RING SET      | 1            |
| 655         | 285806-17   | PISTON        | 1            |
| 655         | 285806-18   | PISTON        | 1            |
| 655         | 285806-15   | PISTON        | 1            |
| 655         | 285806-16   | PISTON        | 1            |

COPYRIGHT© 2005. All Rights Reserved.

Parts list, pricing, and availability subject to change. Please visit [www.dewaltservicenet.com](http://www.dewaltservicenet.com) for current parts information.

## Parts List for DP3900 Type 1

| Item Number | Part Number | Description    | Qty Required |
|-------------|-------------|----------------|--------------|
| 656         | 285807-15   | PIN            | 1            |
| 657         | 285806-20   | CONNECTING ROD | 1            |
| 657         | 285806-19   | CONNECTING ROD | 1            |
| 658         | 285803-37   | BOLT           | 2            |
| 659         | 285803-38   | CLIP           | 2            |
| 660         | 285806-98   | COVER          | 1            |
| 661         | 285803-00   | SHROUD         | 1            |
| 662         | 285806-99   | SWITCH ASSY.   | 1            |
| 663         | 285800-41   | BOLT           | 6            |
| 664         | 285805-82   | CLIP           | 1            |
| 665         | A08642      | ENGINE         | 1            |
| 666         | 285802-76   | SWITCH ASSY    | 1            |
| 667         | 285802-77   | SHAFT          | 1            |
| 675         | 285801-75   | LABEL          | 1            |
| 676         | 285805-88   | LABEL          | 1            |
| 678         | 285801-78   | LABEL          | 1            |

COPYRIGHT© 2005. All Rights Reserved.

Parts list, pricing, and availability subject to change. Please visit [www.dewaltservicenet.com](http://www.dewaltservicenet.com) for current parts information.