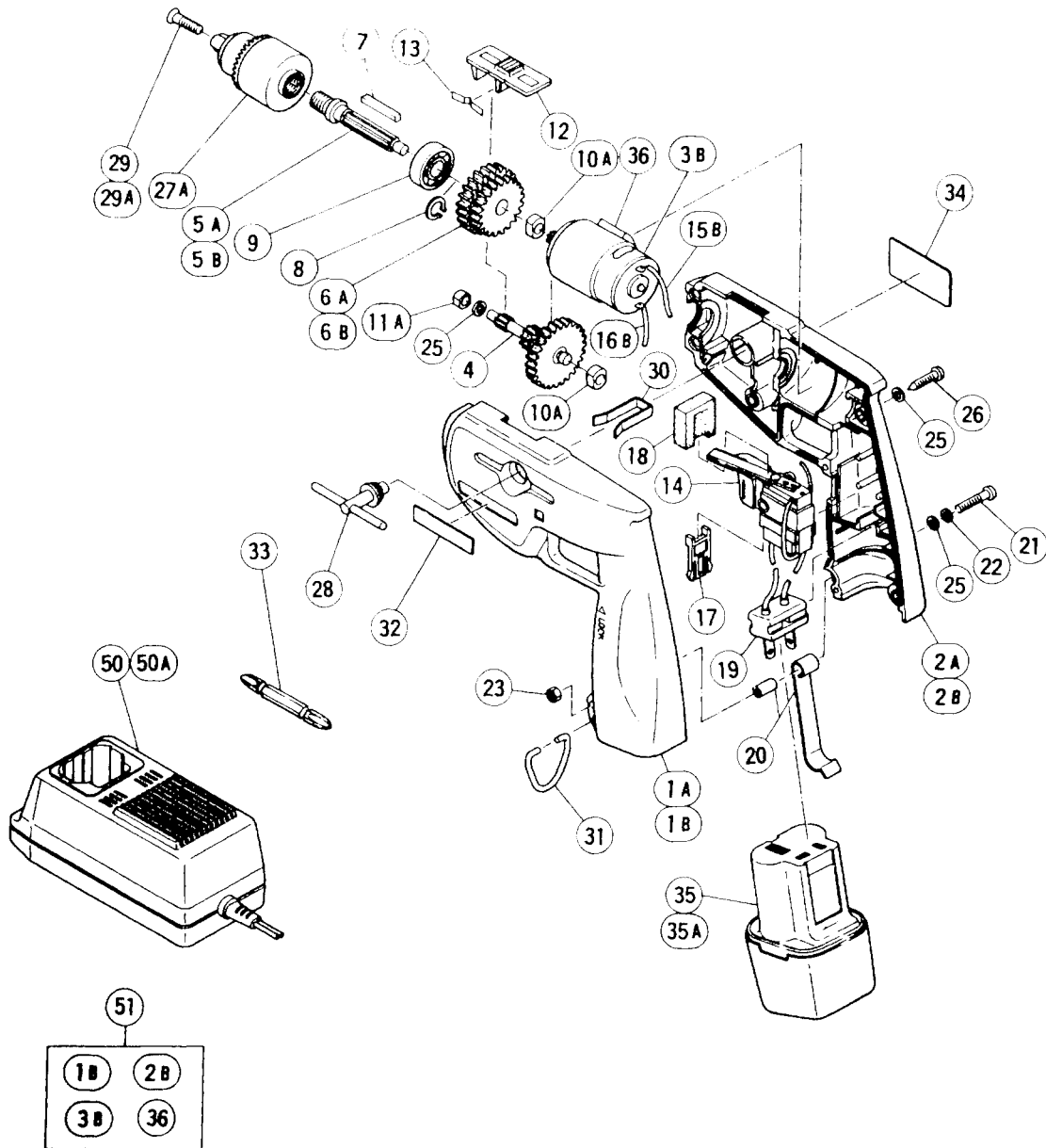


## ELECTRIC TOOL PARTS LIST

■ CORDLESS DRIVER DRILL  
Model DTC - 10

1993 · 6 · 30  
(E6)



## PARTS

DTC-10

ITEM NO.	CODE NO.	DESCRIPTION	NO. USED	REMARKS
1A	980-820	HOUSING (A)	1	TILL 8.1984
1B	992-070	HOUSING (A)	1	SINCE 9.1984
2A	980-844	HOUSING (B)	1	TILL 8.1984
2B	992-076	HOUSING (B)	1	SINCE 9.1984
3B	992-071	MOTOR	1	SINCE 9.1984
4	980-823	SECOND PINION	1	
5A	980-842	SPINDLE GEAR ASS'Y	1	TILL 4.1982
5B	980-843	SPINDLE	1	SINCE 5.1982
6A	980-842	SPINDLE GEAR ASS'Y	1	TILL 4.1982
6B	981-348	FINAL GEAR	1	SINCE 5.1982
7	980-828	FEATHER KEY 3X3X30	1	TILL 4.1982
8	939-540	RETAINING RING FOR D10 SHAFT (10 PCS.)	1	
9	800-0VV	BALL BEARING 8000VVCMP2S	1	
10A	997-752	METAL	2	
11A	994-877	METAL D4X6	1	
12	980-828	SHIFT KNOB	1	
13	980-829	SHIFT SPRING	1	
14	980-830	SWITCH (2P PLUG IN TYPE) W/O LOCK	1	
15B	980-845	INTERNAL WIRE (B) 90L (RED)	1	
16B	980-846	INTERNAL WIRE (B) 40L (BLACK)	1	
17	980-833	SWITCH LOCK	1	
18	980-834	SEAL	1	
19	980-835	CONNECTOR (B)	1	
20	980-581	BATTERY CASE HOLDER	1	
21	949-223	MACHINE SCREW M4X25 (10 PCS.)	1	
22	949-453	SPRING WASHER M4 (10 PCS.)	1	
23	949-554	NUT M4 (10 PCS.)	1	
25	949-423	WASHER M4 (10 PCS.)	7	
26	954-004	TAPPING SCREW D4X16	5	
* 27A	950-292	DRILL CHUCK 10TLRA	1	INCLUD.28
* 27A	301-553	DRILL CHUCK 10TLR - N (W/O CHUCK HANDLE)	1	FOR BEL
28	980-057	CHUCK WRENCH 10TL2	1	
29	980-838	FLAT HD. SCREW (LEFT HAND) M5X20	1	TILL 8.1986
29A	992-077	FLAT HD. SCREW (LEFT HAND) M5X17	1	SINCE 9.1986
30	980-837	KEY HOLDER	1	
31	980-838	HOOK	1	
32	950-565	HITACHI LABEL	1	
33	955-854	+ DRIVER BIT (A) NO.2 70L	1	
* 34		NAME PLATE	1	
* 35	980-578Z	BATTERY B - 2 (W/ENGLISH N.P.)	1	
* 35	980-575Z	BATTERY B - 2 (W/GERMAN N.P.)	1	FOR FRG,AUT
* 35	980-578Z	BATTERY B - 2 (W/FRENCH N.P.)	1	FOR FRA
* 35	980-579Z	BATTERY B - 2 (W/ENGLISH N.P.)	1	FOR USA
* 35A	980-582	BATTERY B - 2 (W/GERMAN N.P.)	1	FOR SUI
* 35A	980-584	BATTERY B - 2 (W/ENGLISH N.P.)	1	FOR SWE
* 35A	980-583	BATTERY B - 2 (W/ENGLISH N.P.)	1	FOR HOL,DEN
* 35A	980-585	BATTERY B - 2 (W/GERMAN N.P.)	1	FOR BEL
* 35A	980-586	BATTERY B - 2 (W/ITALIAN N.P.)	1	FOR ITA
36	980-840	CUSHION (A)	1	
50		CHARGER (MODEL BC - 2)	1	TILL REPLACED BY UC 12Y
50A		CHARGER (MODEL UC 12Y)	1	

\*: ALTERNATIVE PARTS

**PARTS**

ITEM NO.	CODE NO.	DESCRIPTION	NO. USED	REMARKS
51	980-847	HOUSING MOTOR ASS'Y	1	INCLUD.1B,2B,3B,3B

**OPTIONAL ACCESSORIES**

ITEM NO.	CODE NO.	DESCRIPTION	NO. USED	REMARKS
801	955-857	- DRIVER BIT (A) 3MMX70L	1	
802	955-859	- DRIVER BIT (A) 4MMX70L	1	
803	955-874	- DRIVER BIT (A) 6MMX70L	1	
804	955-870	+ DRIVER BIT (A) NO.1 70L	1	
805	955-855	+ DRIVER BIT (A) NO.3 70L	1	
806	302-381	CASE	1	

\* : ALTERNATIVE PARTS

