

Hitachi Power Tools

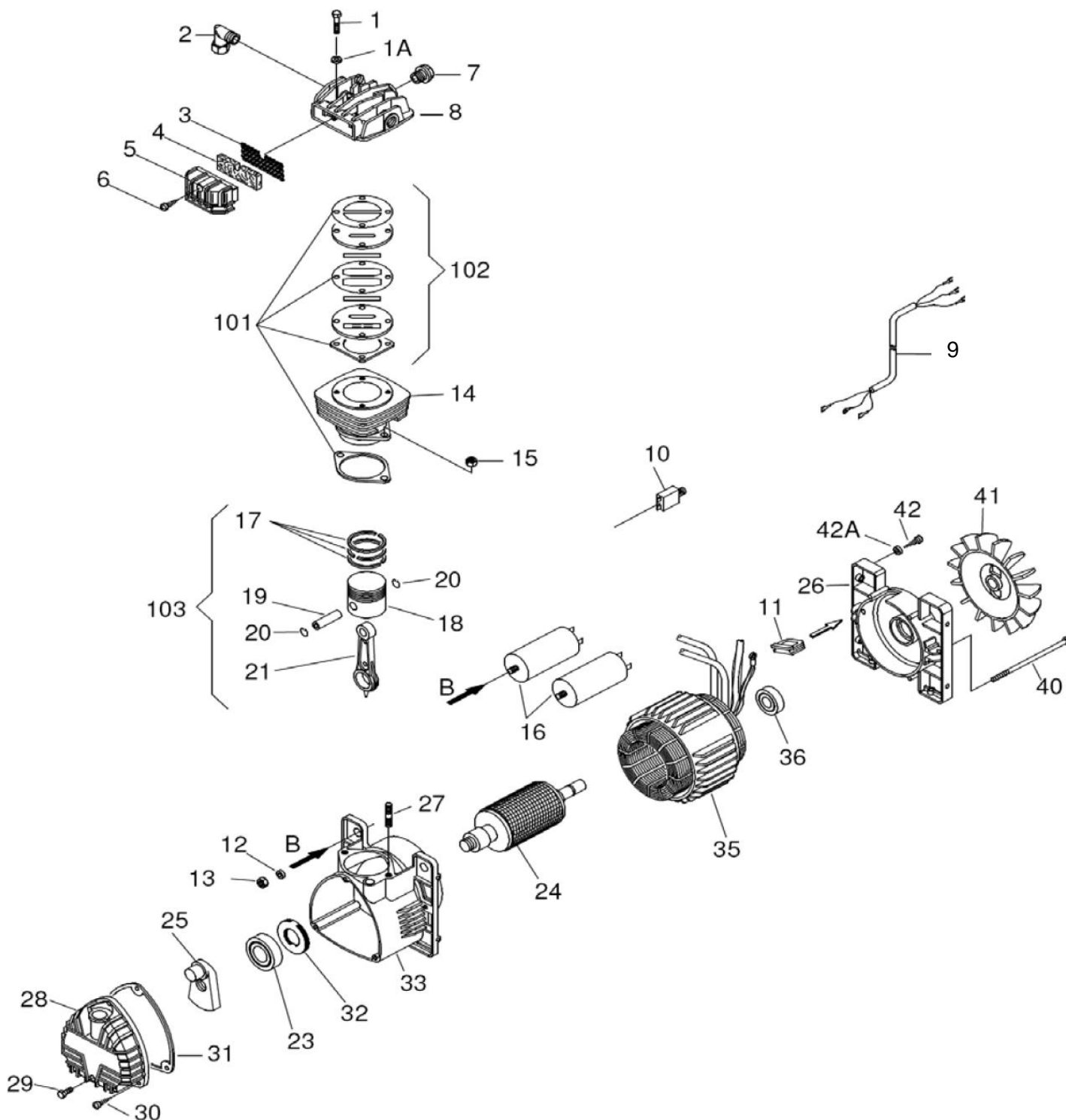
ELECTRIC TOOL PARTS LIST

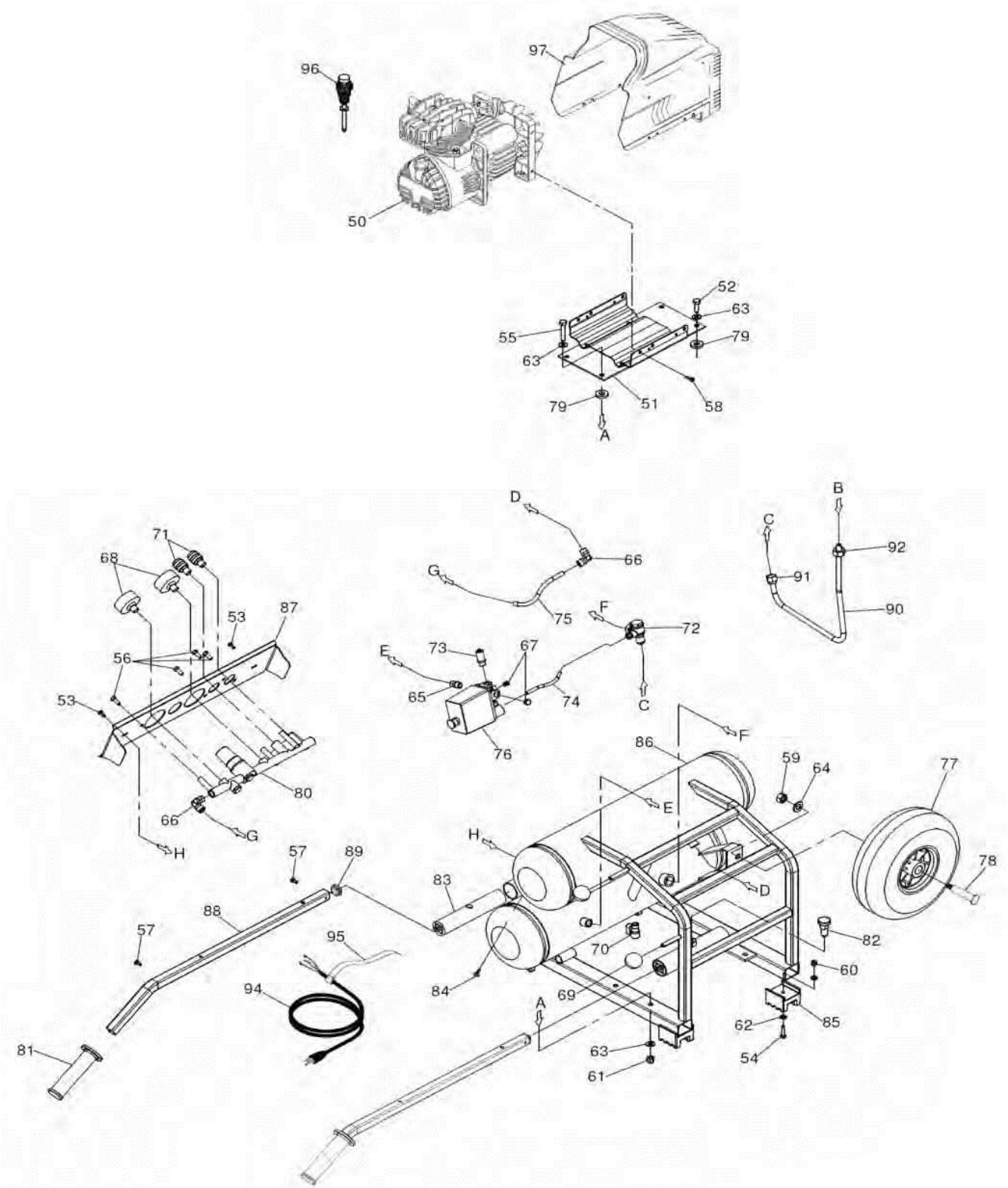
■ AIR COMPRESSOR

2012 • 11 • 29

Model EC 1110

(E2)





PARTS

EC1110

| ITEM NO. | CODE NO. | DESCRIPTION | NO. USED | REMARKS |
|----------|----------|-------------------------------------|----------|-----------------|
| 1 | 881551 | SCREW | 4 | |
| 1A | 887345 | WASHER | 4 | |
| 2 | 881552 | JOINT | 1 | |
| 3 | 884436 | PLATE | 1 | |
| 4 | 881553 | FILTERING ELEMENT | 1 | |
| 5 | 881554 | INTAKE FILTER HOUSING | 1 | |
| 6 | 881472 | SCREW | 1 | |
| 7 | 160615 | START VALVE | 1 | |
| 8 | 160581 | HEAD WITH START VALVE | 1 | ENCLUDES ITEM 7 |
| 9 | 881518 | ELECTRIC CABLE | 1 | |
| 10 | 887867 | THERMAL PROTECTOR | 1 | |
| 11 | 881487 | RUBBER SEAL/CHOCK | 1 | |
| 12 | 887113 | WASHER | 2 | |
| 13 | 887112 | NUT | 2 | |
| 14 | 881558 | CYLINDER | 1 | |
| 15 | 881489 | NUT | 2 | |
| 16 | 887868 | CAPACITOR | 2 | |
| 17 | 881559 | PISTON RINGS KIT D50 (3 PCS) | 1 | |
| 18 | 881567 | PISTON D50 | 1 | |
| 19 | 881560 | PISTON PIN D12 8X42 | 1 | |
| 20 | 881463 | RETAINING RING (SEEGER) | 2 | |
| 21 | 887099 | CONNECTING ROD | 1 | |
| 23 | 881466 | BALL BEARING SFK MODEL 6205 NO SEAL | 1 | |
| 24 | 887869 | ROTOR/CRANKSHAFT KIT | 1 | |
| 25 | 160583 | COUNTER WEIGHT | 1 | |
| 26 | 881486 | COVER | 1 | |
| 27 | 887110 | STUB BOLT | 2 | |
| 28 | 881470 | CARTER COVER GM250 | 1 | |
| 29 | 884450 | DRAIN CAP | 1 | |
| 30 | 881666 | SCREW | 3 | |
| 31 | 881473 | CRANKCASE COVER GASKET | 1 | |
| 32 | 881474 | SPACER/SMIM RING | 1 | |
| 33 | 884448 | CRANK CASE/CARTER | 1 | |
| 35 | 887870 | MOTOR | 1 | |
| 36 | 881478 | BALL BEARING SKF MODEL 6203ZZ | 1 | |
| 40 | 881480 | TENSION ROD | 2 | |
| 41 | 881565 | FAN | 1 | |
| 42 | 884444 | SCREW | 1 | |
| 42A | 887109 | WASHER GROUND CON | 1 | |
| 50 | 887874 | PUMP UNIT GM265 | 1 | |
| 51 | 881570 | BASE | 1 | |
| 52 | 881571 | SCREW | 2 | |
| 53 | 884431 | SCREW | 2 | |
| 54 | 881399 | SCREW | 4 | |
| 55 | 887875 | SCREW | 2 | |
| 56 | 887876 | SCREW | 4 | |
| 57 | 887073 | SCREW | 4 | |
| 58 | 881479 | SCREW | 4 | |
| 59 | 887074 | NUT | 1 | |
| 60 | 881401 | SELF LOCKING NUT | 4 | |
| 61 | 881589 | NUT | 4 | |
| 62 | 881573 | WASHER | 4 | |
| 63 | 881572 | WASHER | 8 | |
| 64 | 887075 | WASHER | 1 | |
| 65 | 881511 | JOINT | 1 | |
| 66 | 884425 | JOINT | 2 | |
| 67 | 881513 | PLUG | 2 | |
| 68 | 885446 | 2" PRESSURE GAUGE 1/4" | 2 | |
| 69 | 884453 | KNOB (B) | 2 | |
| 70 | 882610 | DISCHARGE TAP | 1 | |

STANDARD ACCESSORIES

EC1110

| ITEM NO. | CODE NO. | DESCRIPTION | NO. USED | REMARKS |
|----------|----------|-------------|----------|---------|
| | | | | |
| | | | | |
| | | | | |
| | | | | |
| | | | | |
| | | | | |
| | | | | |
| | | | | |
| | | | | |
| | | | | |
| | | | | |
| | | | | |
| | | | | |
| | | | | |
| | | | | |
| | | | | |
| | | | | |
| | | | | |
| | | | | |

OPTIONAL ACCESSORIES

| ITEM NO. | CODE NO. | DESCRIPTION | NO. USED | REMARKS |
|----------|----------|-----------------------------------|----------|---------------------------|
| | 19210B | COMPRESSOR SYNTHETIC OIL 12/bx | | |
| | 19412F | 1/4" POLYURETHANE AIR HOSE, 50' | 1 | INCLUDES INDUST. FITTINGS |
| | 19413F | 1/4" POLYURETHANE AIR HOSE, 100' | 1 | INCLUDES INDUST. FITTINGS |
| | 190101 | 3/8" INDUSTRIAL STYLE AIR PLUG | 1 | 3/8" NPTM |
| | 190151 | 3/8" INDUSTRIAL STYLE AIR PLUG | 1 | 3/8" NPTM, 360° SWIVEL |
| | 19405 | 3/8" PVC AIR HOSE 100' | 1 | FITTINGS NOT INCLUDED |
| | 19406 | 3/8" PVC AIR HOSE 50' | 1 | FITTINGS NOT INCLUDED |
| | 19400 | 3/8" RUBBER AIR HOSE 50' | 1 | FITTINGS NOT INCLUDED |
| | 19407 | 3/8" RUBBER AIR HOSE 100' | 1 | FITTINGS NOT INCLUDED |
| | 19408 | 3/8" POLYURETHANE AIR HOSE, 50' | 1 | FITTINGS NOT INCLUDED |
| | 19409 | 3/8" POLYURETHANE AIR HOSE, 100' | 1 | FITTINGS NOT INCLUDED |
| | 191111 | 3/8" INDUSTRIAL STYLE AIR COUPLER | 1 | 3/8" NPTF |
| | 190111 | 3/8" INDUSTRIAL STYLE AIR PLUG | 1 | 3/8" NPTF |
| | | | | |
| | | | | |
| | | | | |
| | | | | |
| | | | | |
| | | | | |
| | | | | |
| | | | | |
| | | | | |
| | | | | |
| | | | | |
| | | | | |
| | | | | |
| | | | | |
| | | | | |
| | | | | |
| | | | | |
| | | | | |
| | | | | |
| | | | | |
| | | | | |

