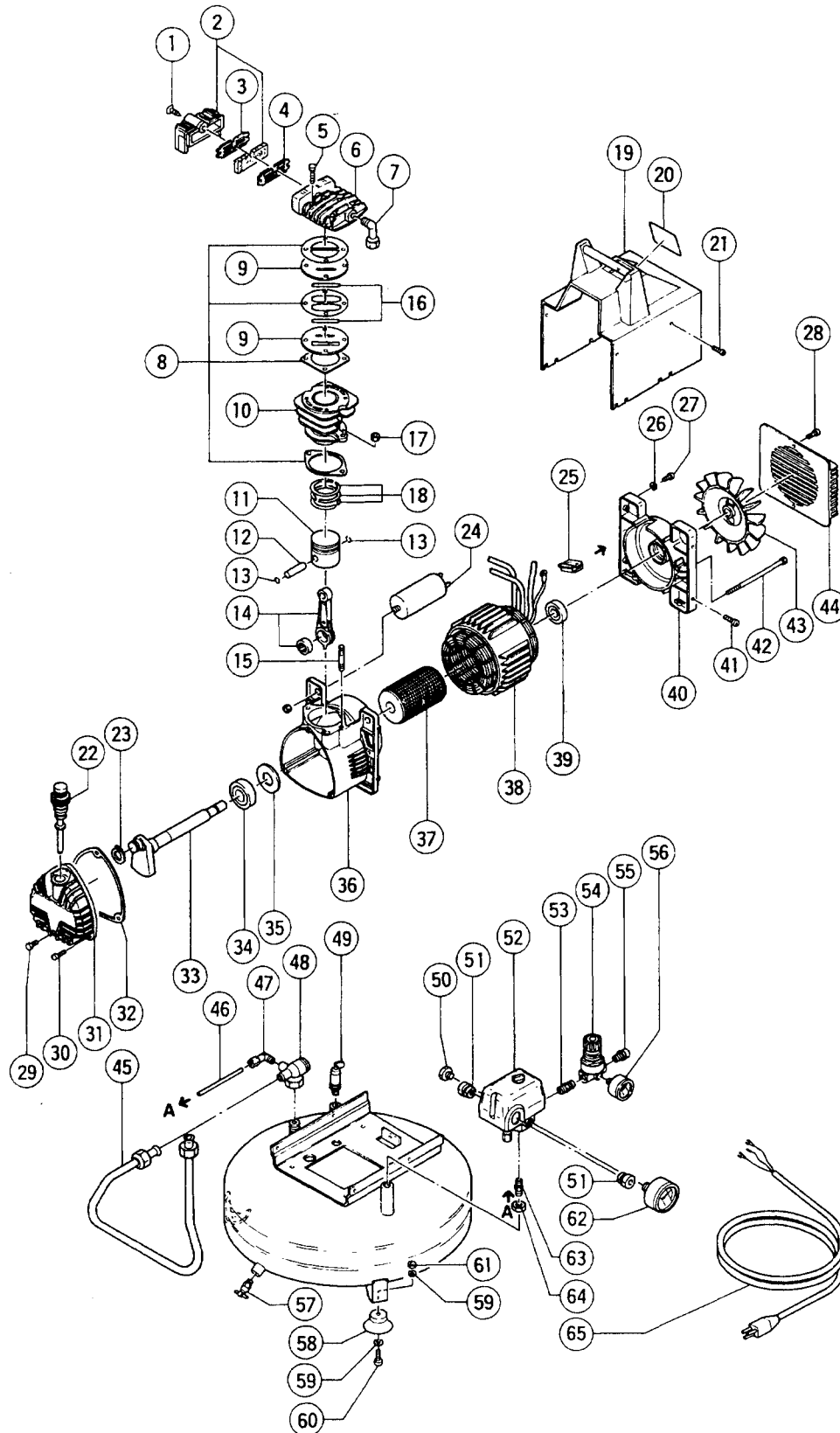


ELECTRIC TOOL PARTS LIST

■ AIR COMPRESSOR
Model EC6B

1996 • 11 • 30
(E1)



PARTS

EC 6B

ITEM NO.	CODE NO.	DESCRIPTION	NO. USED	REMARKS
1	881-450	SCREW	1	
2	881-451	INTAKE FILTER	1	
3	881-452	FILTER PLATE	1	
4	881-453	FILTER PLATE	1	
5	881-454	SCREW	4	
6	881-456	HEAD	1	
7	881-455	JOINT	1	
8	881-457	SET OF GASKET	1	
9	881-458	VALVE PLATE	2	
10	881-459	CYLINDER	1	
11	881-461	PISTON	1	
12	881-462	PISTON PIN	1	
13	881-463	RING	2	
14	881-464	CONROD UNIT	1	
15	881-465	STUD BOLT	2	
16	881-490	SET OF VALVE	1	
17	881-489	NUT	2	
18	881-460	PISTON RINGS	1	
19	881-491	HOUSING	1	
20		NAME PLATE	1	
21	881-492	SCREW	4	
22	881-469	DIPSTICK	1	
23	881-468	SEEGER	1	
24	881-488	CAPACITOR	1	
25	881-487	CHOCK	1	
26	881-485	WASHER	1	
27	881-484	SCREW	1	
28	881-482	SCREW	1	
29	881-471	SCREW	1	
30	881-472	SCREW	3	
31	881-470	CARTER COVER	1	
32	881-473	GASKET	1	
33	881-467	CRANK SHAFT	1	
34	881-466	BALL BEARING	1	
35	881-474	SMIM RING	1	
36	881-475	CARTER	1	
37	881-476	ROTOR	1	
38	881-477	MOTOR CASING	1	
39	881-478	BALL BEARING	1	
40	881-486	COVER	1	
41	881-479	SCREW	4	
42	881-480	TENSION ROD	2	
43	881-483	FAN	1	
44	881-481	PROTECTION	1	
45	881-497	INFEED TUBE	1	
46	881-496	TUBE	1	
47	881-495	JOINT	1	
48	881-494	NON RETURN VALVE	1	
49	881-493	SAFETY VALVE	1	
50	881-513	PLUG	1	
51	881-507	STRETCH ELIMINATOR	2	

*: ALTERNATIVE PARTS

