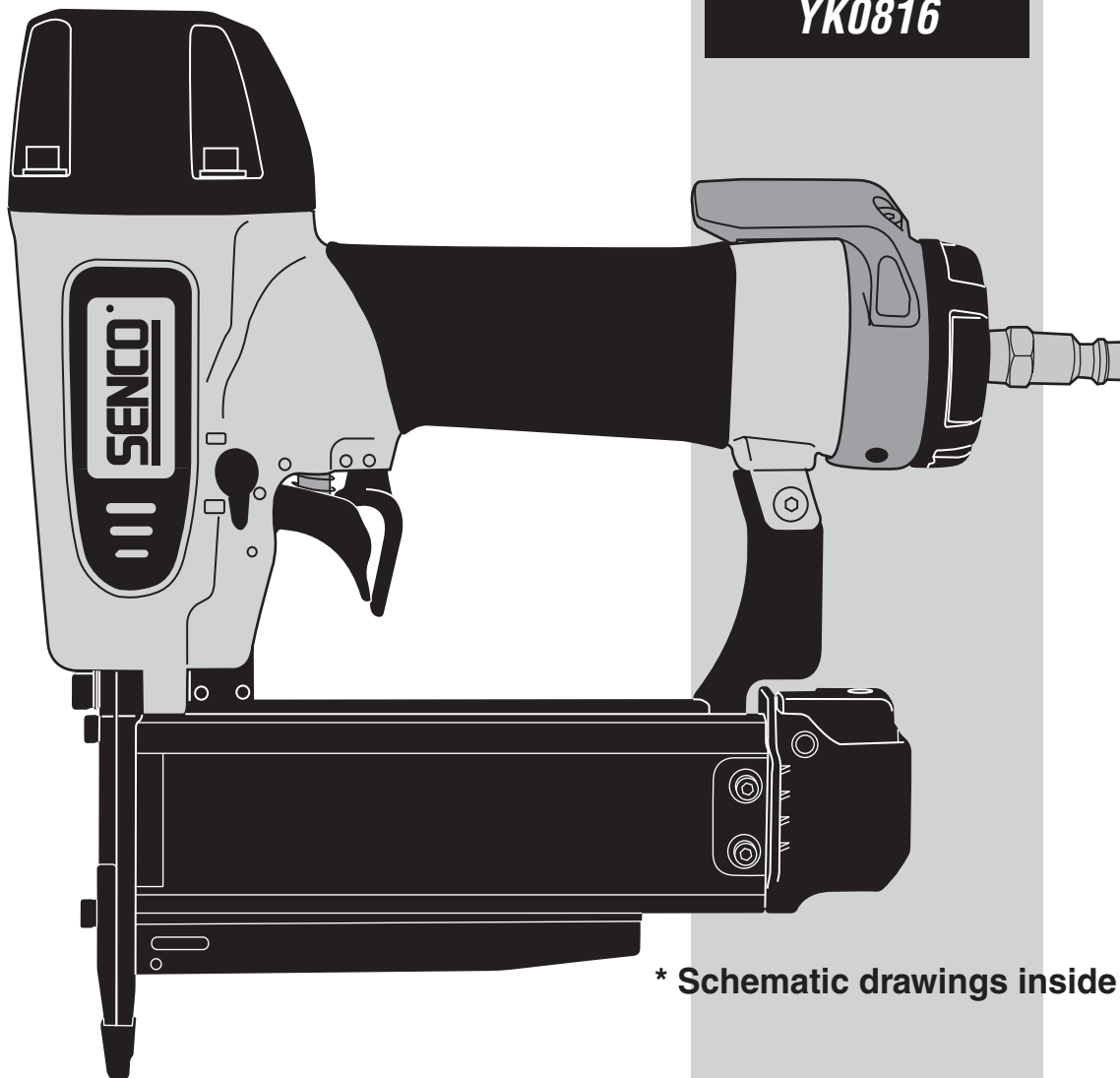


# FinishPro<sup>®</sup> 11



## Parts Reference Guide

**Repair Kit  
YK0816**



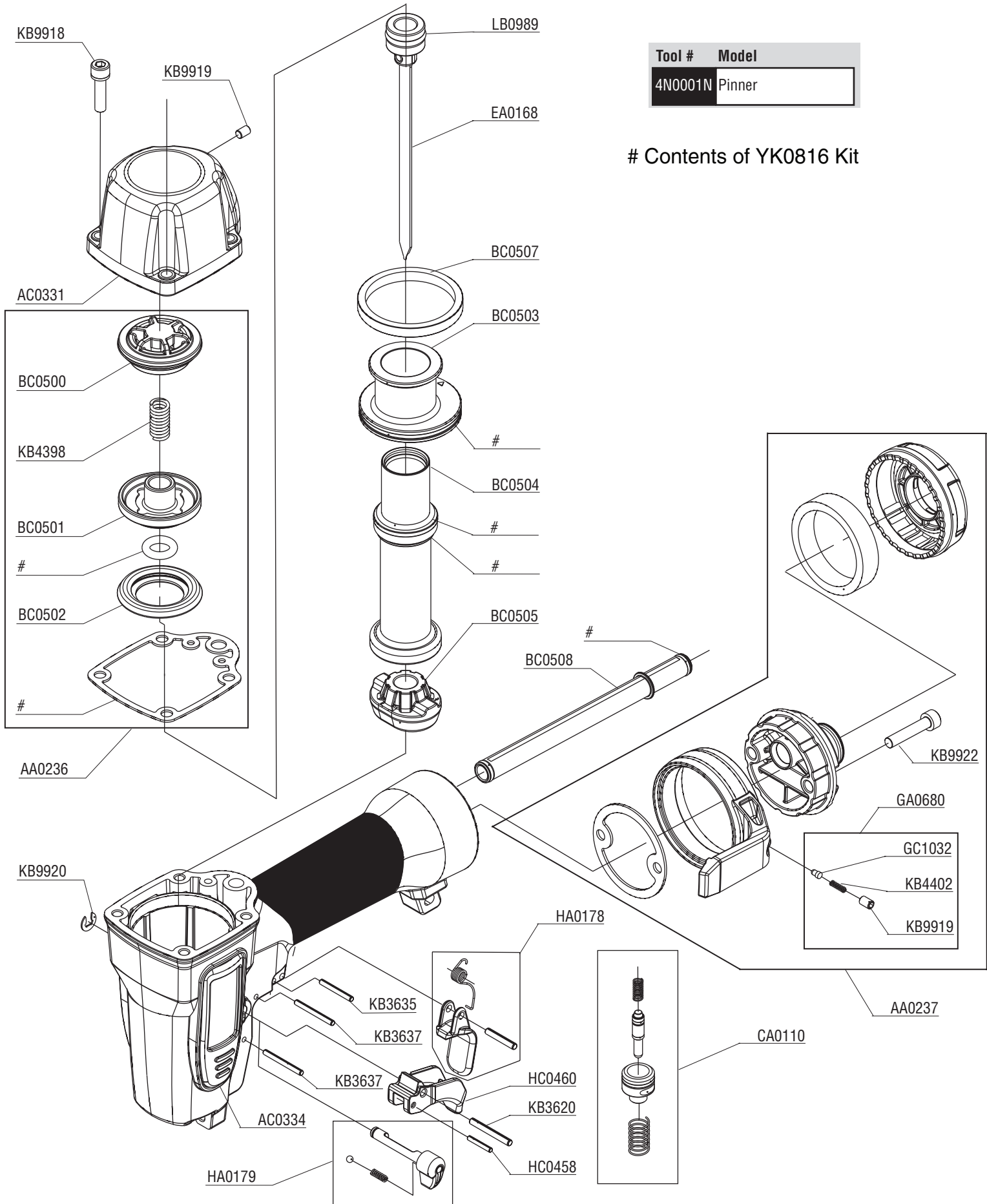
\* Schematic drawings inside

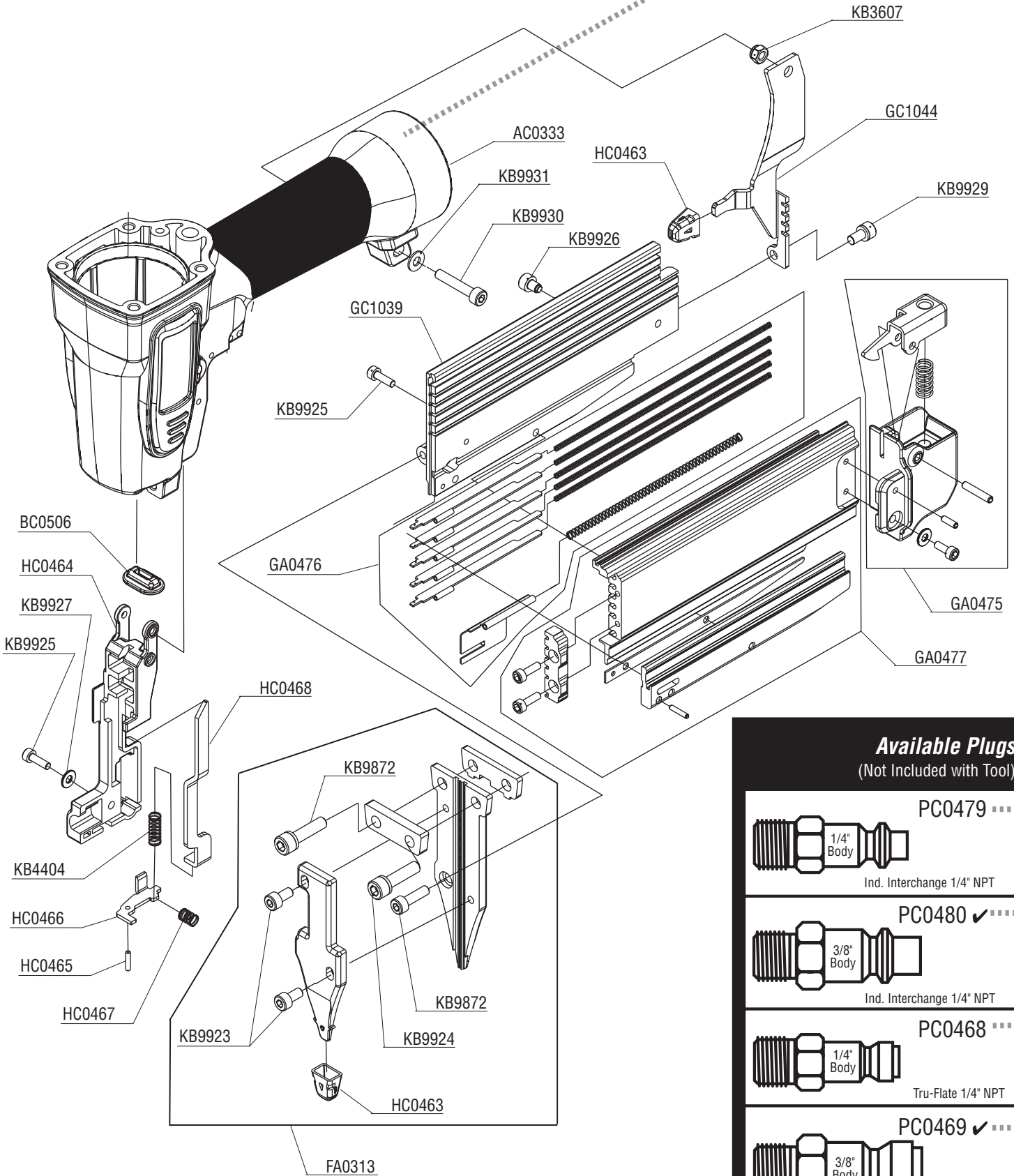
Senco Brands Inc.  
4270 Ivy Pointe Blvd.  
Cincinnati, Ohio 45245  
Visit Our Website: [www.senco.com](http://www.senco.com)  
EU Website: [www.verpa-senco.com](http://www.verpa-senco.com)

Questions? Comments? call SENCO's toll-free Action-line:  
1-800-543-4596 (North & South America only)  
or e-mail: [toolprof@senco.com](mailto:toolprof@senco.com)

Tool #	Model
4N0001N	Pinner

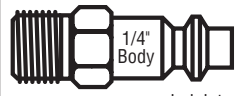
## # Contents of YK0816 Kit

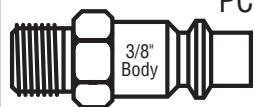





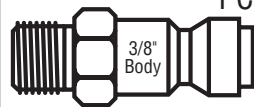
NFG04N Revised March 7, 2011 (Replaces 5/28/10) © 2011 by Senco Brands, Inc. Cincinnati, Ohio 45245 - U.S.A.

### Available Plugs (Not Included with Tool)

- 

**PC0479** .....  
1/4" Body  
Ind. Interchange 1/4" NPT
- 

**PC0480** ✓ .....  
3/8" Body  
Ind. Interchange 1/4" NPT
- 

**PC0468** .....  
1/4" Body  
Tru-Flate 1/4" NPT
- 

**PC0469** ✓ .....  
3/8" Body  
Tru-Flate 1/4" NPT

✓ **Recommended Plugs**  
Plugs shown smaller than actual size

# FinishPro® 11 Pinner

REPLACEMENT PARTS LIST • LISTA DE PARTES DE REPUESTO • ERSATZTEILE-LISTE • LISTE DE PIÈCES DE RECHANGE

PART NO.	DESCRIPTION	DESCRIPCIÓN	BESCHREIBUNG	DÉSIGNATION
AA0236	CAP ASY	TAPA	KAPPE	BOUCHON
AA0237	END CAP/GASKET ASY	TAPA	KAPPE	BOUCHON
AC0331	CAP	TAPA	KAPPE	BOUCHON
AC0333	MAINBODY	CARCASA	GEHÄUSE	CORPS
AC0334	COVER	CUBIERTA	ABDECKUNG	COUVERCLE
BC0500	VALVE	VÁLVULA	VENTIL	VALVE
BC0501	PISTON	PISTON	KOLBEN	PISTON
BC0502	SEAL	SELLO	DICHTUNG	JOINT
BC0503	SEAL	SELLO	DICHTUNG	JOINT
BC0504	CYLINDER	CILINDRO	ZYLINDER	CYLINDRE
BC0505	STOP, PISTON	TOPE	PUFFER	ARRÊT
BC0506	SEAL	SELLO	DICHTUNG	JOINT
BC0507	SEAL	SELLO	DICHTUNG	JOINT
BC0508	CYLINDER (TUBE)	CILINDRO	ZYLINDER	CYLINDRE
CA0110	TRIGGER VALVE ASY	ASAMBLE DE GATILLO VÁLVULA	AUSLÖSER/ VENTIL	GÂCHETTE/ VALVE
EA0168	PISTON/DRIVER ASSY	ASAMBLE DE PISYON Y	KOLBEN/TREIBER	PISTON/COUTEAU
FA0313	FRONT PLATE ASY	PLACA	PLATTE	PLAQUE
GA0475	LATCH ASY	UNETA	VERSCHLUSS	DOIGT DE RETENUE
GA0476	FEEDER SHOE ASY	ALIMENTADOR	NAGELSCHIEBER	POUSSOIR
GA0477	RAIL ASY, MOVABLE	ASAMBLE DE CARRIL	SCHIENE-ZUSAMMENBAU	RAIL D'ASSEMBLÉE
GA0680	DETENT ASY	FRENO	BREMSE	FREIN
GC1032	DETENT	FRENO	BREMSE	FREIN
GC1039	RAIL (FIXED)	CARRIL	SCHIENE	RAIL
GC1044	BRACKET	SOPORTE	HALTERUNG	SUPPORT DE FIXATION
HA0178	TRIGGER ASSY	ASAMBLE DE GATILLO	AUSLÖSER-ZUSAMMENBAU	GACHETTED'ASSEMBLÉE
HA0179	TRIGGER ASSY (LOCK)	ASAMBLE DE GATILLO	AUSLÖSER-ZUSAMMENBAU	GACHETTED'ASSEMBLÉE
HC0458	PIN	PASADOR	STIFT	GOUPILLE
HC0460	TRIGGER	GATILLO	AUSLÖSER	GÂCHETTE
HC0463	CUSHION (PAD)	AMORTIGUADOR	SCHUTZ	COUSSIN
HC0464	COVER (TRIGGER)	CUBIERTA	ABDECKUNG	COUVERCLE
HC0465	PIN	PASADOR	STIFT	GOUPILLE
HC0466	LATCH	UNETA	VERSCHLUSS	DOIGT DE RETENUE
HC0467	SPRING	RESORTE	FEDER	RESSORT
HC0468	PLATE (BAR)	PLACA	PLATTE	PLAQUE
KB3607	NUT	TUERCA	MUTTER	ÉCROU
KB3620	PIN (SPRING)	PASADOR	STIFT	GOUPILLE
KB3635	PIN	PASADOR	STIFT	GOUPILLE
KB3637	PIN	PASADOR	STIFT	GOUPILLE
KB4398	SPRING	RESORTE	FEDER	RESSORT
KB4402	SPRING	RESORTE	FEDER	RESSORT
KB4404	SPRING	RESORTE	FEDER	RESSORT
KB9872	SCREW (BOLT)	TORNILLO	SCHRAUBE	VIS
KB9918	SCREW (BOLT)	TORNILLO	SCHRAUBE	VIS
KB9919	SCREW	TORNILLO	SCHRAUBE	VIS
KB9920	RING	ANILLO	REIFEN	ANNEAU
KB9922	SCREW (BOLT)	TORNILLO	SCHRAUBE	VIS
KB9923	SCREW (BOLT)	TORNILLO	SCHRAUBE	VIS
KB9924	SCREW (BOLT)	TORNILLO	SCHRAUBE	VIS
KB9925	SCREW (BOLT)	TORNILLO	SCHRAUBE	VIS
KB9926	SCREW	TORNILLO	SCHRAUBE	VIS
KB9927	WASHER	ARANDELA	SCHEIBE	RONDELLE
KB9929	SCREW (BOLT)	TORNILLO	SCHRAUBE	VIS
KB9930	SCREW (BOLT)	TORNILLO	SCHRAUBE	VIS
KB9931	WASHER	ARANDELA	SCHEIBE	RONDELLE
LB0989	SEAL (O-RING)	SELLO	DICHTUNG	JOINT