

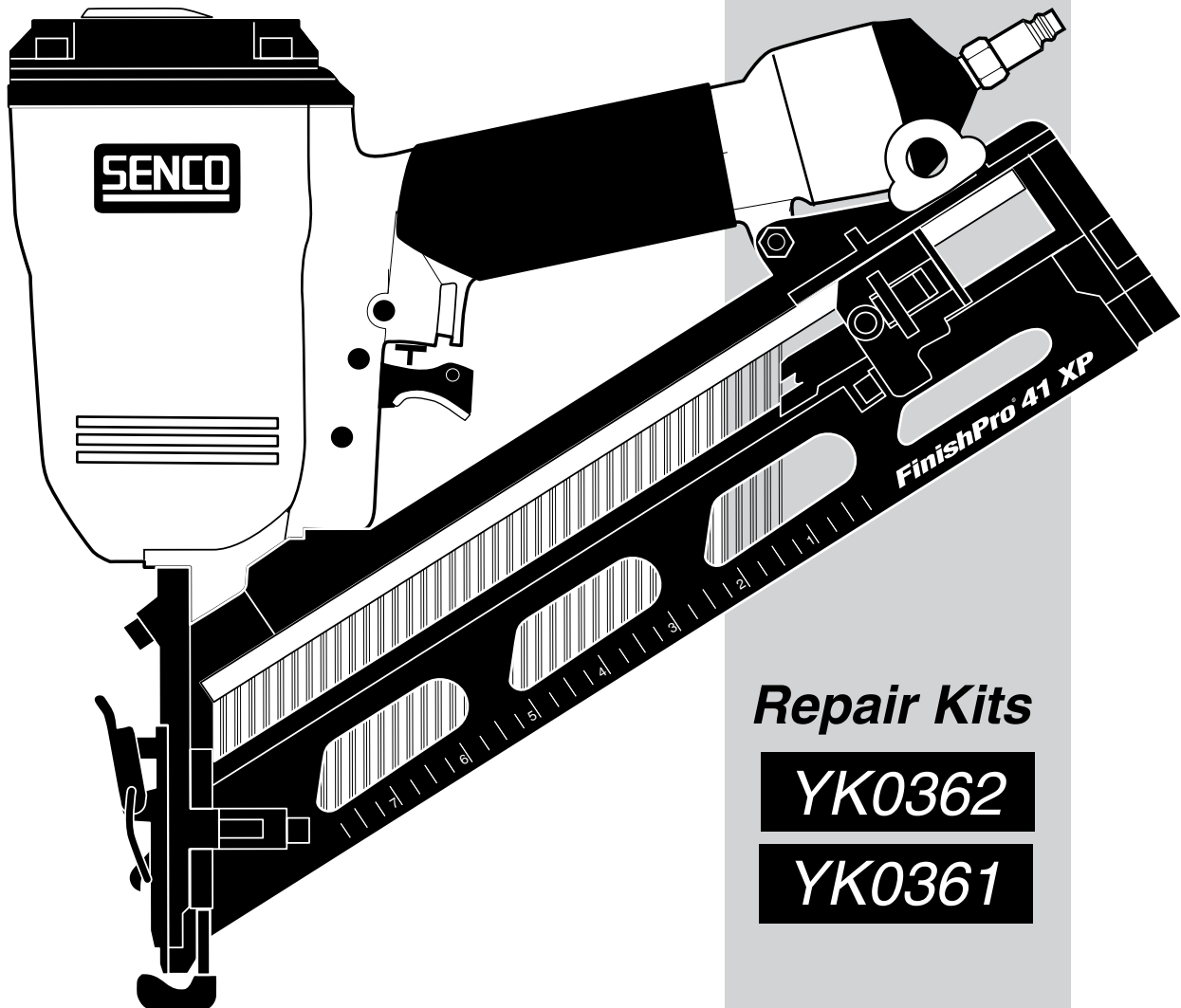
SENCO®

FinishPro® 41 XP

15 ga. Finish Nailer



Parts Reference Guide



Repair Kits

YK0362

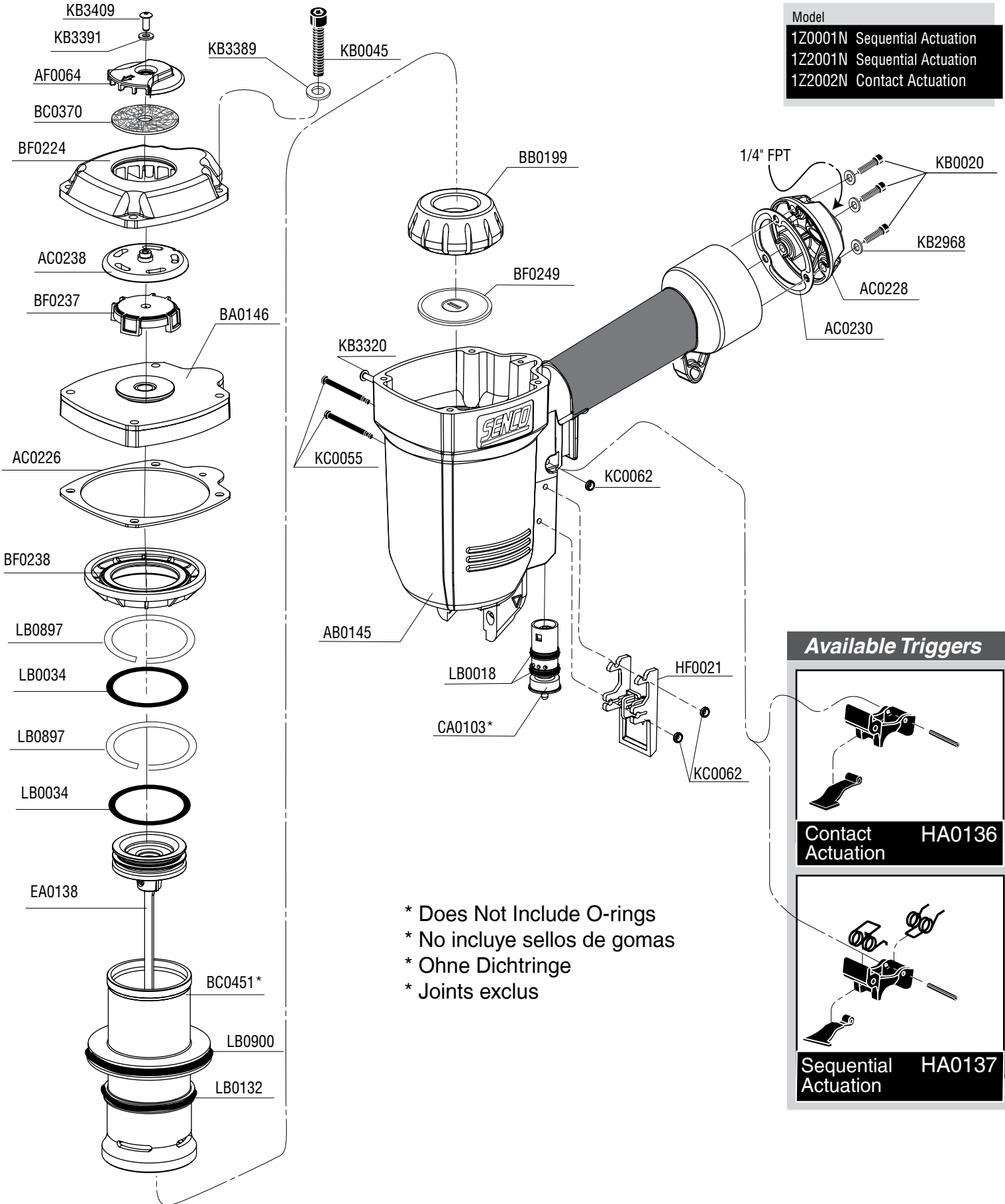
YK0361

* Schematic drawings inside

Senco Products Inc.
8485 Broadwell Road
Cincinnati, Ohio 45244
Visit Our Website: www.senco.com

Questions? Comments? call SENCO's toll-free Action-line:
1-800-543-4596 (North and South America Only)
or e-mail: toolprof@senco.com

NFG01Z Revised April 12, 2007 (Replaces 9/26/06) © 2002, 2007 by SENCO Products, Inc. Cincinnati, Ohio 45244 - U.S.A.



Available Triggers

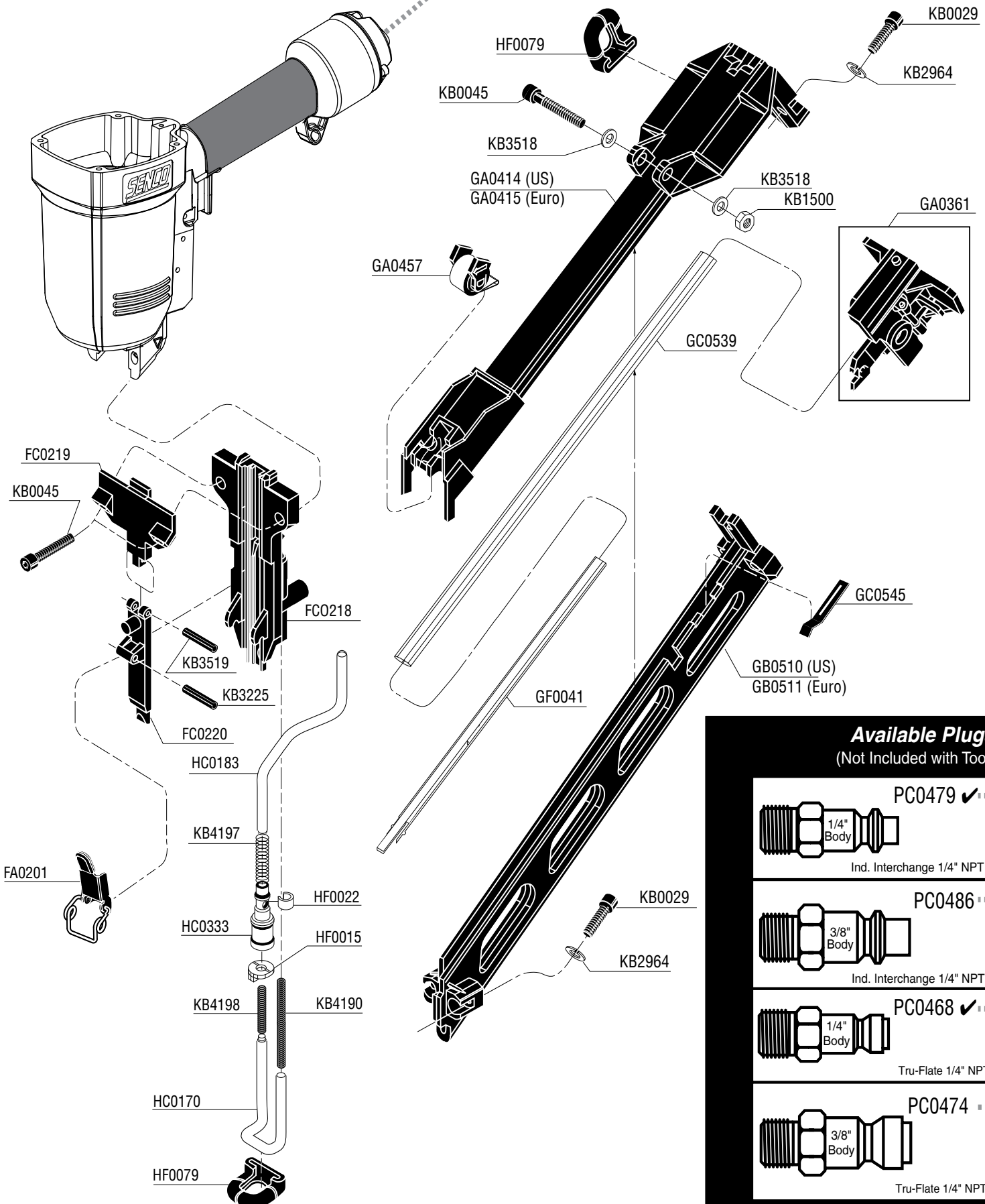
Contact Actuation HA0136

Sequential Actuation HA0137

- * Does Not Include O-rings
- * No incluye sellos de gomas
- * Ohne Dichtringe
- * Joints exclus

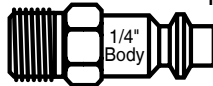



FinishPro® 41XP

SENCO®



NFG01Z Revised April 12, 2007 (Replaces 9/26/06) © 2002, 2007 by SENC0 Products, Inc. Cincinnati, Ohio 45244 - U.S.A.

Available Plugs (Not Included with Tool)

	PC0479 ✓
Ind. Interchange 1/4" NPT	
	PC0486
Ind. Interchange 1/4" NPT	
	PC0468 ✓
Tru-Flate 1/4" NPT	
	PC0474
Tru-Flate 1/4" NPT	

✓ **Recommended Plugs**
Plugs shown smaller than actual size

FinishPro® 41XP 15 ga. Finish Nailer

REPLACEMENT PARTS LIST • LISTA DE PARTES DE REPUESTO • ERSATZTEILE-LISTE • LISTE DE PIÈCES DE RECHANGE

PART NO.	DESCRIPTION	DESCRIPCIÓN	BESCHREIBUNG	DÉSIGNATION
AB0145	MAIN BODY ASSEMBLY	ASAMBLE DE CARCASA	GEHÄUSE-ZUSAMMENBAU	CORPS D'ASSEMBLÉE
AC0226	SEAL	SELLO	DICHTUNG	JOINT
AC0228	END CAP	TAPA	KAPPE	BOUCHON
AC0230	SEAL	SELLO	DICHTUNG	JOINT
AC0238	PLATE	PLACA	PLATTE	PLAQUE
AF0064	DEFLECTOR	DEFLECTOR	ABWEISER	DÉFLECTEUR
BA0146	VALVE ASSEMBLY	ASAMBLE DE VALVULA	VENTIL-ZUSAMMENBAU	VALVE D'ASSEMBLÉE
BB0199	STOP	TOPE	PUFFER	ARRÊT
BC0370	MUFFLER	SILENCIADOR	DÄMPFER	SILENCIEUX
BC0451	CYLINDER	CILINDRO	ZYLINDER	CYLINDRE
BF0224	CAP	TAPA	KAPPE	BOUCHON
BF0237	SEAL	SELLO	DICHTUNG	JOINT
BF0238	RETAINER	JUNTA TÓRICA	SICHERUNGSRING	RETENUE
BF0249	SEAL	SELLO	DICHTUNG	JOINT
CA0103	VALVE ASSEMBLY	ASAMBLE DE VALVULA	VENTIL-ZUSAMMENBAU	VALVE D'ASSEMBLÉE
EA0138	PISTON ASSEMBLY	ASAMBLE DE PISTON	KOLBEN-ZUSAMMENBAU	PISTON D'ASSEMBLÉE
FA0201	LATCH ASSY.	ASAMBLE DE UÑETA	VERSCHLUSS-ZUSAMMENBAU	DOIGT DE RETENUE D'ASSEMBLÉE
FC0218	GUIDE BODY	PLACA DE NARIZ	NAGELFÜHRUNG	FRONT
FC0219	PLATE	PLACA	PLATTE	PLAQUE
FC0220	DOOR	PUERTA	ABDECKSCHIEBER	PORTE
GA0361	FEEDER SHOE ASSY.	ASAMBLE DE ALIMENTADOR	NAGELSCHIEBER-ZUSAMMENBAU	POUSOIR D'ASSEMBLÉE
GA0414	SHROUD (US)	PROTECTOR	ABDECKUNG	CACHE
GA0415	SHROUD (EURO)	PROTECTOR	ABDECKUNG	CACHE
GA0457	FEEDER SPRING ASSY.	ENSEMBLAJE DEL ALIMENTADOR	ROLLFEDER	RESSORT DE POUSSOIR
GB0510	RAIL (US)	CARRIL	SCHIENE	RAIL
GB0511	RAIL (EURO)	CARRIL	SCHIENE	RAIL
GC0539	RAIL	CARRIL	SCHIENE	RAIL
GC0545	RETAINER	JUNTA TÓRICA	SICHERUNGSRING	RETENUE
GF0041	RAIL	CARRIL	SCHIENE	RAIL
HA0136	TRIGGER ASSEMBLY (DUAL)	ASAMBLE DE GATILLO	AUSLÖSER-ZUSAMMENBAU	GACHETTE D'ASSEMBLÉE
HA0137	TRIGGER ASSEMBLY (REST)	ASAMBLE DE GATILLO	AUSLÖSER-ZUSAMMENBAU	GACHETTE D'ASSEMBLÉE
HC0170	SAFETY ELEMENT (LOWER)	SEGURO DE INFERIOR	UNTERSICHERHEITSVORRICHTUNG	SÉCURITÉ EN DESSOUS
HC0183	SAFETY ELEMENT (UPPER)	SEGURO DE SUPERIOR	OBERSICHERHEITSVORRICHTUNG	SÉCURITÉ EN DESSUS
HC0333	ADAPTOR	ADAPTADOR	ADAPTER	ADAPTATEUR
HF0015	SPACER	SEPARADOR	DISTANZSTÜCK	ENTRETOISE
HF0021	COVER	CUBIERTA	ABDECKUNG	COUVERCLE
HF0022	RETAINER	JUNTA TÓRICA	SICHERUNGSRING	RETENUE
HF0079	CUSHION	AMORTIGUADOR	SCHUTZ	COUSSIN
KB0020	SCREW	TORNILLO	SCHRAUBE	VIS
KB0029	SCREW	TORNILLO	SCHRAUBE	VIS
KB0045	SCREW	TORNILLO	SCHRAUBE	VIS
KB1500	NUT	TUERCA	MUTTER	ÉCROU
KB2964	WASHER	ARANDELA	SCHEIBE	RONDELLE
KB2968	WASHER	ARANDELA	SCHEIBE	RONDELLE
KB3225	PIN	PASADOR	STIFT	GOUPILLE
KB3320	PIN	PASADOR	STIFT	GOUPILLE
KB3389	WASHER	ARANDELA	SCHEIBE	RONDELLE
KB3391	WASHER	ARANDELA	SCHEIBE	RONDELLE
KB3409	SCREW	TORNILLO	SCHRAUBE	VIS
KB3518	WASHER	ARANDELA	SCHEIBE	RONDELLE
KB3519	PIN	PASADOR	STIFT	GOUPILLE
KB4190	SPRING	MUELLE	FEDER	RESSORT
KB4197	SPRING	MUELLE	FEDER	RESSORT
KB4198	SPRING	MUELLE	FEDER	RESSORT
KC0055	PIN	PASADOR	STIFT	GOUPILLE
KC0062	RETAINER	JUNTA TÓRICA	SICHERUNGSRING	RETENUE
LB0018	SEAL	SELLO	DICHTUNG	JOINT
LB0034	SEAL	SELLO	DICHTUNG	JOINT
LB0132	SEAL	SELLO	DICHTUNG	JOINT
LB0897	SEAL	SELLO	DICHTUNG	JOINT
LB0900	SEAL	SELLO	DICHTUNG	JOINT