

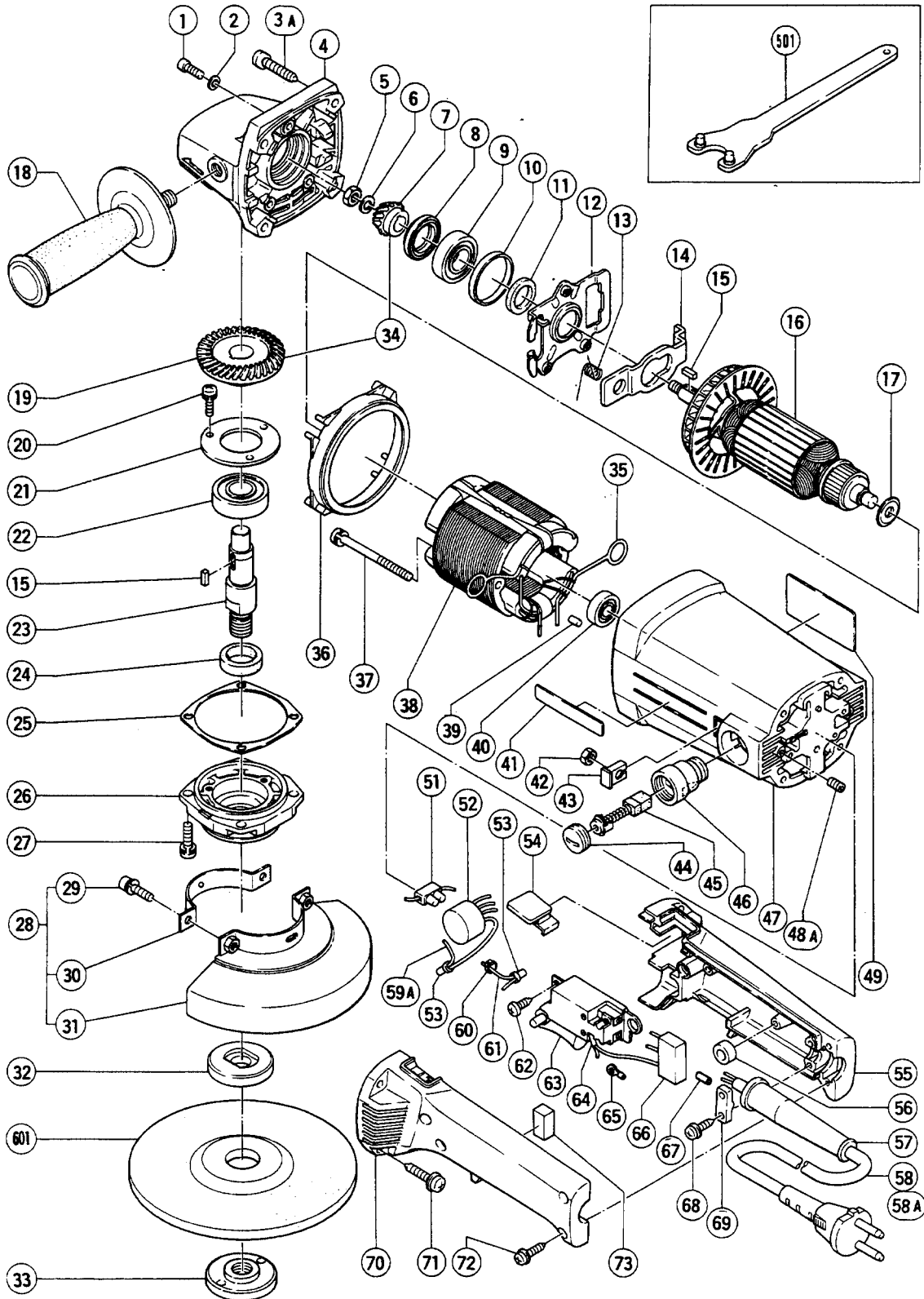
HITACHI

LIST NO. 0282

ELECTRIC TOOL PARTS LIST

■ DISC GRINDER
Model G 13SC

1995 • 3 • 9
(E4)



PARTS

G 13SC

ITEM NO.	CODE NO.	DESCRIPTION	NO. USED	REMARKS
1	983-182	SEAL LOCK HEX. SOCKET HD. BOLT M4X12	3	
2	949-453	SPRING WASHER M4 (10 PCS.)	3	
3A	957-580	TAPPING SCREW D5X30	4	
4	994-145	GEAR COVER	1	
5	949-567	LOCK NUT M6 (10 PCS.)	1	
6	949-455	SPRING WASHER M6 (10 PCS.)	1	
7	938-648	PINION	1	
8	994-173	SEAL RING	1	
9	600-2DD	BALL BEARING 6002DDUCMPS2S	1	
10	990-846	RUBBER RING	1	
11	953-235	FELT PACKING (A)	1	
12	994-148	BEARING COVER	1	
13	994-148	SPRING	1	
14	994-147	LOCK PLATE	1	
15	940-533	FEATHER KEY 3X3X10	2	
*	16	360-025U	ARMATURE ASS'Y 110V - 127V	1 INCLUD.9,17,40 FOR USA
*	16	360-025C	ARMATURE 110V - 127V	1 FOR GBR
*	16	360-025E	ARMATURE 220V	1
*	16	360-025F	ARMATURE 230V - 240V	1
17	956-387	DUST SEAL (A)	1	
18	994-322	SIDE HANDLE	1	
19	994-171	GEAR	1	
20	987-203	SEAL LOCK SCREW (W/SP. WASHER) M4X12	3	
21	937-077	BEARING COVER (A)	1	
22	620-2VV	BALL BEARING 6202VVCMP2S	1	
*	23	994-141	SPINDLE	1
*	23	302-738	SPINDLE	1 FOR USA,CAN
*	23	994-154	SPINDLE ASS'Y	1 FOR THA
24	938-403	FELT PACKING	1	
25	953-239	SEAL PACKING (A)	1	
26	938-397	PACKING GLAND	1	
27	983-985	SEAL LOCK SCREW (W/SP. WASHER) M5X16	4	
*	28	994-172	WHEEL GUARD ASS'Y	1 INCLUD.29 - 31
*	28	994-174	WHEEL GUARD ASS'Y	1 INCLUD.29 FOR FIN
*	28	305-082	WHEEL GUARD ASS'Y	1 INCLUD.29 - 31 FOR USA
*	29	987-512	MACHINE SCREW (W/SP. WASHER) M5X16	2
*	29	987-512	MACHINE SCREW (W/SP. WASHER) M5X16	1 FOR FIN
30	938-402	SET RING (A)	1	
*	31	938-432Z	WHEEL GUARD (A)	1
*	31	305-083	WHEEL GUARD (A)	1 FOR USA
*	32	937-907Z	WHEEL WASHER (A)	1
*	32	937-922P	WHEEL WASHER (B) FOR D5/8" HOLE	1 FOR USA,CAN
*	32	937-928Z	WHEEL WASHER (A) FOR D16 HOLE	1 FOR THA
*	33	937-909Z	WHEEL NUT M14X2	1
*	33	937-923P	WHEEL NUT 5/8" - 11UNC	1 FOR USA,CAN
*	33	937-929Z	WHEEL NUT M16X1.5	1 FOR THA
34	994-170	GEAR PINION ASS'Y	1	INCLUD.7,19
35	930-703	BRUSH TERMINAL	2	
36	994-149	FAN GUIDE	1	
37	985-941	MACHINE SCREW (W/SP. WASHER) M5X65	2	
*	38	340-028C	STATOR ASS'Y 110V - 127V	1 INCLUD.35

*: ALTERNATIVE PARTS

PARTS

G 13SC

ITEM NO.	CODE NO.	DESCRIPTION	NO. USED	REMARKS
* 38	340-028E	STATOR ASS'Y 220V	1	INCLUD.35
* 38	340-028F	STATOR ASS'Y 230V - 240V	1	INCLUD.35
* 38	340-028G	STATOR ASS'Y 220V - 230V	1	INCLUD.35 FOR SAF,ITA,FRG,FRA,HOL,DEN,FIN, SUI
* 38	340-028H	STATOR ASS'Y 240V	1	INCLUD.35 FOR GBR
* 38	340-028J	STATOR ASS'Y 110V	1	INCLUD.35 FOR GBR
* 38	340-028K	STATOR ASS'Y 230V	1	INCLUD.35 FOR NZL
39	931-701	BEARING LOCK	1	
40	808-VVM	BALL BEARING 808VVMC2EPS2L	1	
41	957-581	HITACHI LABEL	1	
42	949-555	NUT M5 (10 PCS.)	2	
43	953-232	NUT COVER	2	
44	945-181	BRUSH CAP	2	
45	999-043	CARBON BRUSH (1 PAIR)	2	
46	958-900	BRUSH HOLDER	2	
47	953-230	HOUSING ASS'Y	1	INCLUD.46,48
48A	961-681	HEX. SOCKET SET SCREW M4X5	2	
49		NAME PLATE	1	
* 51	982-805Z	PILLAR TERMINAL (B)	1	FOR FIN
* 52	955-908	CHOKE COIL	1	FOR NZL
* 53	959-140	CONNECTOR 50091 (10 PCS.)	5	FOR NZL,GBR,SAF,ITA,FRG,FRA,HOL,DEN,SUI
54	938-408Z	HOLE COVER (A)	1	
55	953-258	HANDLE (A)	1	
56	940-811	PUSHING HOLDER	1	
* 57	958-049Z	CORD ARMOR D8.2	1	
* 57	940-778	CORD ARMOR D10.7	1	
* 58	500-234Z	CORD	1	(CORD ARMOR D8.2)
* 58	500-223Z	CORD	1	(CORD ARMOR D10.7) FOR SIN,KUW
* 58	500-226Z	CORD	1	(CORD ARMOR D8.2) FOR AUS,NZL,NGU
* 58	500-237Z	CORD	1	(CORD ARMOR D8.2) FOR GBR (110V),SAF
* 58	500-240Z	CORD	1	(CORD ARMOR D10.7) FOR CAN
* 58	500-245Z	CORD	1	(CORD ARMOR D10.7) FOR SYR
* 58	500-247Z	CORD	1	(CORD ARMOR D10.7) FOR FIN
* 58	500-248Z	CORD	1	(CORD ARMOR D10.7) FOR SUI
* 58	500-432Z	CORD	1	(CORD ARMOR D10.7) FOR USA
* 58	950-543Z	CORD	1	(CORD ARMOR D10.7)
* 58A	500-435Z	CORD	1	(CORD ARMOR D8.2) FOR GBR (240V)
* 59A	994-153	INTERNAL WIRE	2	FOR NZL
60	983-684	WIRE BAND	1	
* 61	981-010	INTERNAL WIRE	1	
62	954-017	TAPPING SCREW D4X12	1	
* 63	953-178	SWITCH (2P PILLAR TYPE) W/SAFETY LOCK	1	FOR FRA,DEN,FIN,ITA,GBR
* 63	931-573	SWITCH (2P PILLAR TYPE) W/LOCK	1	(TILL 8.1988 FOR ITA ONLY)
* 64	981-373	TUBE (D)	2	FOR NOISE SUPPRESSOR
* 65	980-063	TERMINAL	1	FOR NOISE SUPPRESSOR
* 66	994-273	NOISE SUPPRESSOR	1	
* 67	981-373	TUBE (D)	2	FOR CORD
68	930-446	TAPPING SCREW (W/WASHER) D4X16	2	
69	937-631	CORD CLIP	1	
70	953-259	HANDLE (B)	1	
71	985-605	TAPPING SCREW (W/WASHER) D5X25	4	

*: ALTERNATIVE PARTS

