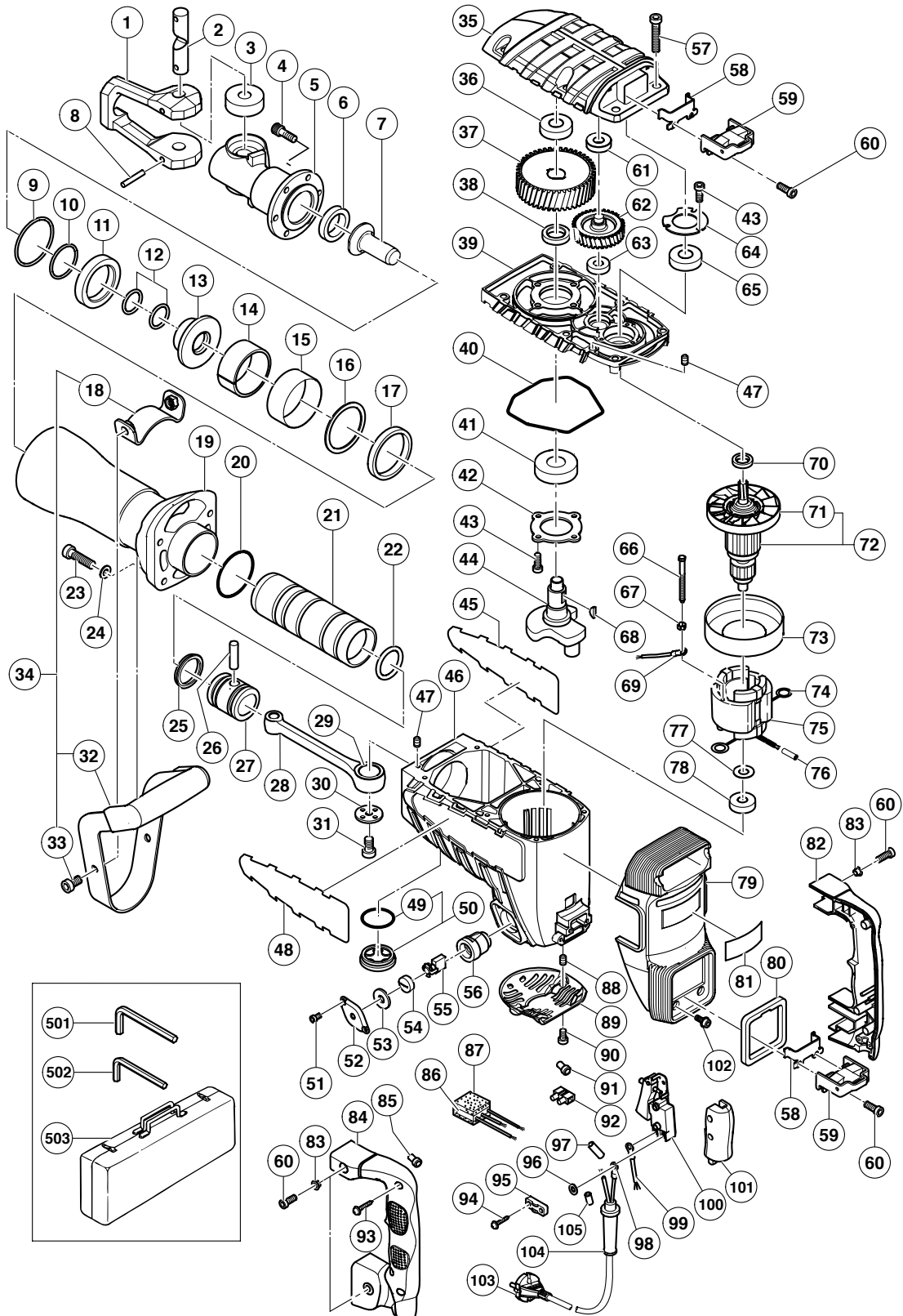


ELECTRIC TOOL PARTS LIST

DEMOLITION HAMMER Model H 65SD2

2005 · 5 · 10

(E1)



PARTS

H 65SD2

ITEM NO.	CODE NO.	DESCRIPTION	NO. USED	REMARKS
1	318-221	RETAINER	1	
2	318-222	LEVER PIN	1	
3	305-621	RETAINER DAMPER	2	
4	306-437	NYLOCK HEX. SOCKET HD. BOLT M8X30	6	
5	318-223	FRONT COVER	1	
6	996-369	DAMPER (B)	1	
7	324-601	SECOND HAMMER	1	
8	994-416	ROLL PIN D6X55	2	
9	998-428	O-RING (C)	1	
10	998-427	O-RING (B)	1	
11	998-433	DAMPER (A)	1	
12	323-731	O-RING (I.D 26.5)	2	
13	323-730	SHANK SLEEVE	1	
14	956-963	MOUTH	1	
15	956-962	MOUTH COVER	1	
16	323-729	MOUTH WASHER	1	
17	956-960	URETHANE RING	1	
18	320-374	HANDLE STAY (W/NUT)	1	
19	323-728	CYLINDER CASE	1	
20	956-996	O-RING (1AS-60)	1	
21	323-724	STRIKER	1	
22	998-414	O-RING (A)	1	
23	306-163	NYLOCK HEX. SOCKET HD. BOLT M8X35	4	
24	323-212	BOLT WASHER M8 (BLACK)	4	
25	998-415	OIL SEAL (A)	1	
26	944-928	PISTON PIN	1	
27	998-413	PISTON	1	
28	998-434	CONNECTING ROD ASS'Y	1	INCLUD. 29
29	944-921	NEEDLE BEARING (NTN 8E-NK 18/20 RDO)	1	
30	956-955	CRANK WASHER	1	
31	996-364	SEAL LOCK HEX. SOCKET HD. BOLT M8X16	1	
32	306-166	GRIP	1	
33	320-375	NYLOCK HEX. SOCKET HD. BOLT M8X16	2	
34	306-165	SIDE HANDLE ASS'Y	1	INCLUD. 18, 32, 33
35	323-723	GEAR COVER	1	
36	630-2VV	BALL BEARING 6302VVCMP2L	1	
37	944-916	FINAL GEAR	1	
38	944-915	DISTANCE RING (B)	1	
39	323-722	INNER COVER	1	
40	323-725	SEAL RING	1	
41	620-5DD	BALL BEARING 6205DDCMP2L	1	
42	956-949	BEARING COVER	1	
43	990-079	SEAL LOCK HEX. SOCKET HD. BOLT M5X16	7	
44	998-430	CRANK SHAFT	1	
45		HITACHI LABEL	1	
46	323-721	HOUSING ASS'Y	1	INCLUD. 56, 88
47	944-918	PIN D5X15.8	2	
48		HITACHI LABEL	1	
49	980-717	O-RING (S-38)	1	
50	990-945	OIL CAP ASS'Y	1	INCLUD. 49
51	877-838	SEAL LOCK HEX. SOCKET HD. BOLT M4X8	4	

PARTS

H 65SD2

ITEM NO.	CODE NO.	DESCRIPTION	NO. USED	REMARKS	
52	323-727	CAP COVER	2		
53	944-960	CAP RUBBER	2		
54	940-540	BRUSH CAP	2		
55	999-086	CARBON BRUSH (AUTO STOP TYPE) (1 PAIR)	2		
56	956-984	BRUSH HOLDER	2		
57	986-940	SEAL LOCK HEX. SOCKET HD. BOLT M6X45	6		
58	980-750	GUIDE PLATE	2		
59	980-727	HANDLE RUBBER	2		
60	990-079	SEAL LOCK HEX. SOCKET HD. BOLT M5X16	8		
61	620-1VV	BALL BEARING 6201VVCMP2L	1		
62	956-948	COUNTER GEAR	1		
63	600-1VV	BALL BEARING 6001VVCMP2L	1		
64	944-911	BEARING COVER (A)	1		
65	620-3DD	BALL BEARING 6203DDCMP2L	1		
66	960-251	HEX. HD. TAPPING SCREW D5X65	2		
67	956-764	SPECIAL WASHER	2		
68	956-850	WOODRUFF KEY 4X16	2		
*	69	994-190	INTERNAL WIRE	1	EXCEPT FOR USA, CAN
	70	944-907	DISTANCE RING (A)	1	
	71	996-370	FAN	1	
*	72	360-286U	ARMATURE ASS'Y 110V-120V	1	INCLUD. 65, 71, 77, 78
*	72	360-286E	ARMATURE ASS'Y 220V-230V	1	INCLUD. 71
	73	306-098	FAN GUIDE	1	
	74	945-932	BRUSH TERMINAL	2	
*	75	340-259J	STATOR ASS'Y 110V	1	INCLUD. 74
*	75	340-259G	STATOR ASS'Y 115V-120V	1	INCLUD. 74
*	75	340-259K	STATOR ASS'Y 230V	1	INCLUD. 74
	76	322-530	VINYL TUBE	1	
	77	944-954	BEARING WASHER	1	
	78	620-1DD	BALL BEARING 6201DDCMP2L	1	
	79	323-740	BACK COVER	1	
	80	323-741	HANDLE PACKING	1	
	81		NAME PLATE	1	
	82	323-743	HANDLE (A)	1	
	83	991-711	DISTANCE PIECE (B)	4	
	84	323-744	HANDLE (B)	1	
*	85	959-141	CONNECTOR 50092 (10 PCS.)	1	EXCEPT FOR USA, CAN
*	86	994-273	NOISE SUPPRESSOR	1	EXCEPT FOR USA, CAN
*	87	930-153	SUPPORT (B)	1	EXCEPT FOR USA, CAN
	88	938-477	HEX. SOCKET SET SCREW M5X8	2	
	89	323-726	TAIL COVER	1	
	90	991-690	SEAL LOCK HEX. SOCKET HD. BOLT M5X12	2	
*	91	959-140	CONNECTOR 50091 (10 PCS.)	1	EXCEPT FOR USA, CAN
	92	938-307	PILLAR TERMINAL	1	
	93	307-028	TAPPING SCREW (W/FLANGE) D4X25 (BLACK)	3	
	94	984-750	TAPPING SCREW (W/FLANGE) D4X16	2	
*	95	960-266	CORD CLIP	1	
*	95	981-987Z	CORD CLIP	1	FOR SUI
*	96	949-423	WASHER M4 (10 PCS.)	1	EXCEPT FOR USA, CAN
	97	996-438	VINYL TUBE (A) (I.D.7XT0.5X50)	2	
*	98	980-063	TERMINAL	1	FOR CORD

PARTS

ITEM NO.	CODE NO.	DESCRIPTION	NO. USED	REMARKS
* 98	930-804	TERMINAL M4.0 (10 PCS.)	1	FOR CORD
* 99	981-974	INTERNAL WIRE	1	EXCEPT FOR GBR, USA, CAN
* 99	306-681	INTERNAL WIRE	1	FOR GBR
100	306-143	SWITCH (B) (1P SCREW TYPE) W/LOCK	1	
101	323-742	SUPPORT	1	
102	322-142	NYLOCK BOLT (W/FLANGE) M5X12	4	
* 103	500-390Z	CORD	1	(CORD ARMOR D10.7)
* 103	500-453Z	CORD	1	(CORD ARMOR D10.7) FOR USA, CAN
* 103	500-391Z	CORD	1	(CORD ARMOR D10.7) FOR SUI
* 103	500-466Z	CORD	1	(CORD ARMOR D10.7) FOR GBR (110V)
* 103	500-450Z	CORD	1	(CORD ARMOR D10.7) FOR GBR (230V)
104	940-778	CORD ARMOR D10.7	1	
* 105	981-373	TUBE (D)	2	FOR CORD

STANDARD ACCESSORIES

ITEM NO.	CODE NO.	DESCRIPTION	NO. USED	REMARKS
501	872-422	HEX. BAR WRENCH 6MM	1	
502	943-277	HEX. BAR WRENCH 3MM	1	
503	314-179	CASE (STEEL)	1	

OPTIONAL ACCESSORIES

ITEM NO.	CODE NO.	DESCRIPTION	NO. USED	REMARKS
601	985-231	COLD CHISEL 520MM (HEX. SHANK TYPE)	1	
602	985-232	CUTTER W75X520MM (HEX. SHANK TYPE)	1	
603	985-233	SCOOP 546L (HEX. SHANK TYPE)	1	
604	996-372	BULL POINT 410MM (HEX. SHANK TYPE)	1	
605	996-373	COLD CHISEL 410MM (HEX. SHANK TYPE)	1	
606	996-374	CUTTER W75X410MM (HEX. SHANK TYPE)	1	
607	980-927	GREASE FOR HAMMER. HAMMER DRILL (500G)	1	
608	981-840	GREASE (A) FOR HAMMER. HAMMER DRILL (30G)	1	
609	308-471	GREASE FOR HAMMER. HAMMER DRILL (70G)	1	