

HN250

Joist Hanger Nailer



Parts Reference Guide



Repair Kit
YK0435



***Schematic drawings inside**

Senco Products Inc.
8485 Broadwell Road
Cincinnati, Ohio 45244
Visit Our Website: www.senco.com

Questions? Comments? call SENCO's toll-free Action-line:
1-800-543-4596 (North and South America Only)
or e-mail: toolprof@senco.com

HN250 Joist Hanger Nailer

SENCO®

BC0424

KB3597

AF0090

AC0279

LB0973

LB0980

LB0972

BC0425

LB0974

LB0975

BC0426

LB0976

LB0977

EB0300

BB0218

LB0978

BC0427

KB4366

FC0494

FC0495

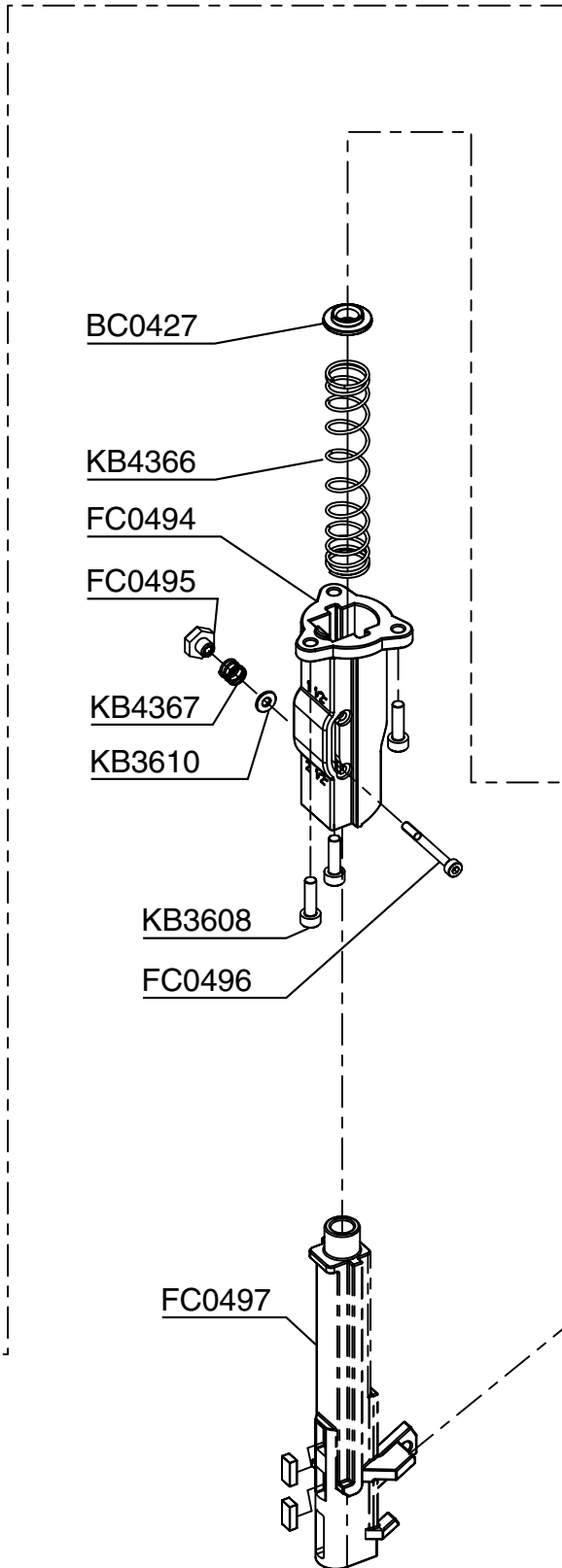
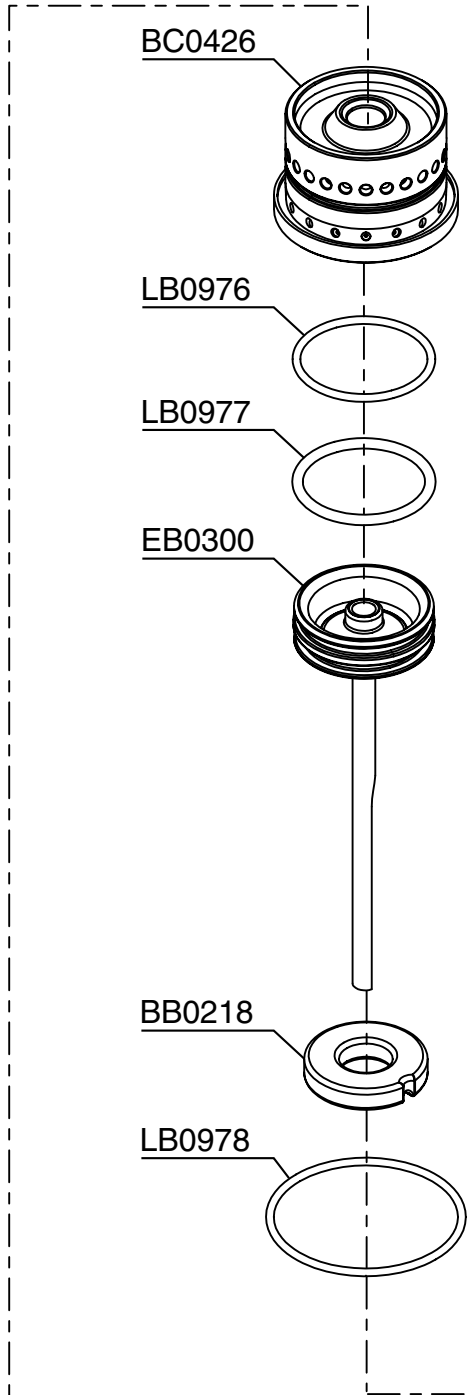
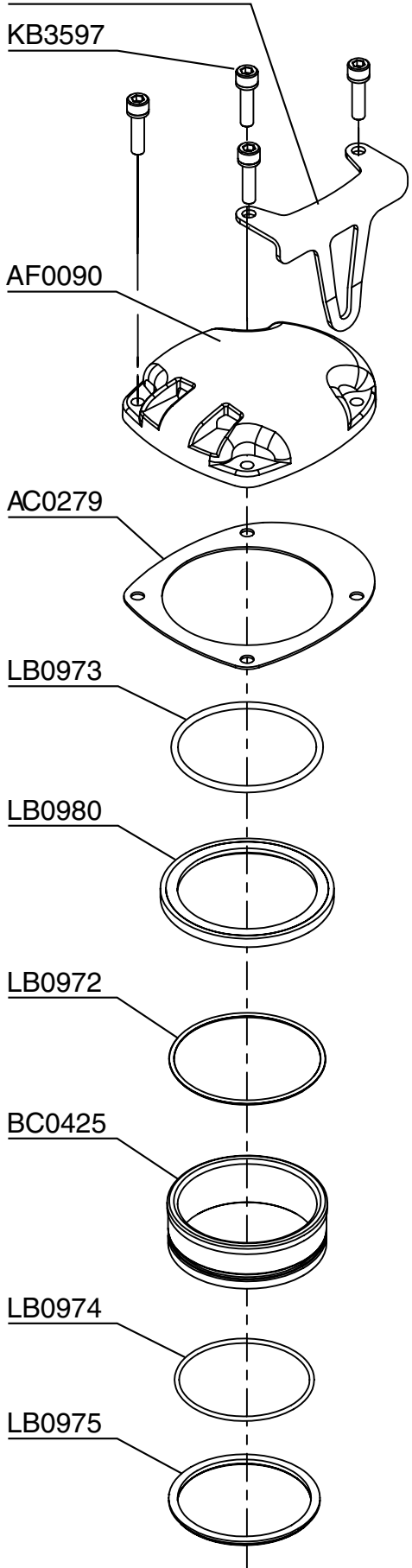
KB4367

KB3610

KB3608

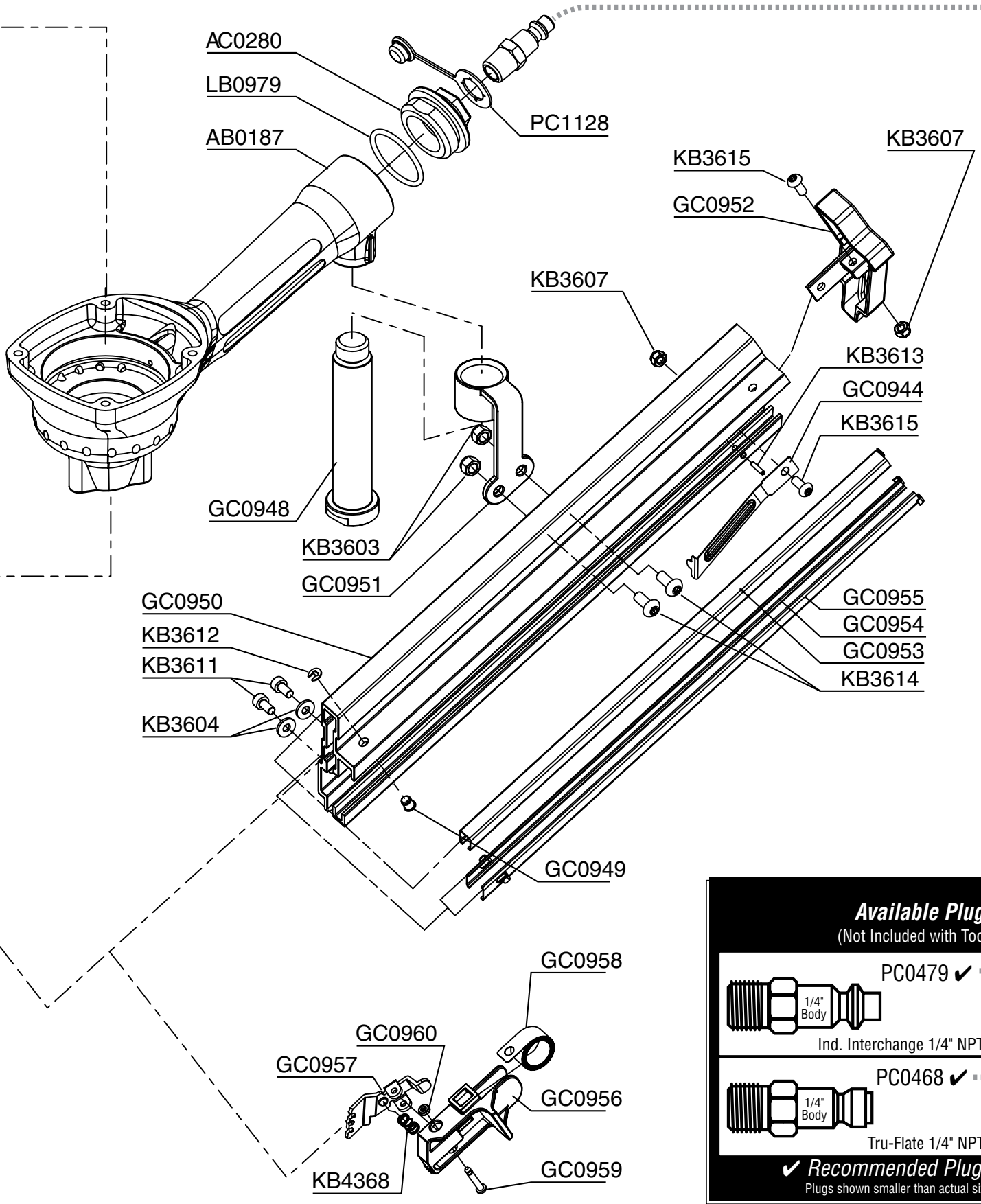
FC0496

FC0497



HN250 Joist Hanger Nailer

SENCO[®]



Available Plugs
(Not Included with Tool)

PC0479 ✓
1/4" Body
Ind. Interchange 1/4" NPT

PC0468 ✓
1/4" Body
Tru-Flate 1/4" NPT

✓ **Recommended Plugs**
Plugs shown smaller than actual size

NFG03Z Revised August 23, 2007 (Replaces 10/31/05) © 2005, 2007 by SENCO Products, Inc. Cincinnati, Ohio 45244 - U.S.A.

HN250 Joist Hanger Nailer

REPLACEMENT PARTS LIST • LISTA DE PARTES DE REPUESTO • ERSATSTEILE-LISTE • LISTE DE PIÈCES DE RECHANGE

PART NO.	DESCRIPTION	DESCRIPCIÓN	BESCHREIBUNG	DÉSIGNATION
AB0187	MAIN BODY	CARCASA	GEHÄUSE	CORPS
AC0279	GASKET	JUNTA	DICHTUNG	JOINT
AC0280	END CAP	TAPA TERMINAL	ABSCHLUßKAPPE	BOUCHON D 'EXTRÉMITÉ DE RAIL
AF0090	CAP	TAPAS	DECKELSATZ	CAPUCHON
BB0218	PISTON BUMPER	AMORTIGUADOR	PUFFER	AMORTISSEUR
BC0424	BELT HOOK	GANCHO DE CINTURON	GURTHAKEN	CROCHET DE CEINTURE
BC0425	EXHAUST VALVE	VÁLVULA	VENTIL	VALVE
BC0426	FIRING VALVE	VÁLVULA	VENTIL	VALVE
BC0427	DRIVER GUIDE	GUÍA	FÜHRUNG	GUIDE
EB0300	PISTON/DRIVER ASSY	ASAMBLE DE PISYON Y	KOLBEN/TREIBER	PISTON/COUTEAU
FC0494	UPPER GUIDE BODY	CUERPO GUÍA SUPERIOR	OBER FÜHRUNGSGEHÄUSE	CORPS DE GUIDAGE SUPÉRIEUR
FC0495	ADJUSTER CAP	TAPAS	DECKELSATZ	CAPUCHON
FC0496	PIN	PASADOR	STIFT	GOUPILLE
FC0497	LOWER GUIDE BODY	CUERPO GUÍA INFERIOR	UNTER FÜHRUNGSGEHÄUSE	CORPS DE GUIDAGE INFÉRIEUR
GC0944	DETAINER	RETENEDOR	RÜCKHALTER	RETENUE
GC0948	MAGAZINE GUIDE	GUÍA	FÜHRUNG	GUIDE
GC0949	PIN	PASADOR	STIFT	GOUPILLE
GC0950	MAGAZINE	CARGADOR	MAGAZIN	MAGASIN
GC0951	BRACKET	SOPORTE	HALTERUNG	SUPPORT DE FIXATION
GC0952	MAGAZINE END CAP	TAPA TERMINAL	ABSCHLUßKAPPE	BOUCHON D 'EXTRÉMITÉ DE RAIL
GC0953	UPPER RAIL ASSY	CARRIL SUPERIOR	OBERSCHIENE	RAIL SUPÉRIEUR
GC0954	LOWER RAIL INSERT	CARRIL INFERIOR	UNTERSCHIENE	RAIL INFÉRIEUR
GC0955	LOWER RAIL INSERT	CARRIL INFERIOR	UNTERSCHIENE	RAIL INFÉRIEUR
GC0956	FEEDER SHOE CARRIAGE	CARRO DEL PATÍN ALIMENTADOR	NAGELSCHIEBERTRÄGER	SABOT D'ALIMENTATION
GC0957	FEEDER SHOE	ALIMENTADOR	NAGELSCHIEBER	POUSSOIR
GC0958	SPRING	RESORTE	FEDER	RESSORT
GC0959	PIN	PASADOR	STIFT	GOUPILLE
GC0960	RETAINER	UNTA TÓRICA	SICHERUNGSRING	RETENUE
KB3597	SCREW	TORNILLO	SCHRAUBE	VIS
KB3603	LOCK NUT	TUERCA	MUTTE	ÉCROU
KB3604	WASHER	ARANDELA	SCHEIBE	RONDELLE
KB3607	LOCK NUT	TUERCA	MUTTE	ÉCROU
KB3608	SCREW	TORNILLO	SCHRAUBE	VIS
KB3610	WASHER	ARANDELA	SCHEIBE	RONDELLE
KB3611	SCREW	TORNILLO	SCHRAUBE	VIS
KB3612	E-RING	ANILLO 'E'	E-RING	ANNEAU EN E
KB3613	SPRING PIN	PASADOR	STIFT	GOUPILLE
KB3614	SCREW	TORNILLO	SCHRAUBE	VIS
KB3615	SCREW	TORNILLO	SCHRAUBE	VIS
KB4366	SPRING	RESORTE	FEDER	RESSORT
KB4367	SPRING	RESORTE	FEDER	RESSORT
KB4368	SPRING	RESORTE	FEDER	RESSORT
LB0972	SEAL	SELLO	DICHTUNG	JOINT
LB0973	SEAL	SELLO	DICHTUNG	JOINT
LB0974	SEAL	SELLO	DICHTUNG	JOINT
LB0975	SEAL	SELLO	DICHTUNG	JOINT
LB0976	SEAL	SELLO	DICHTUNG	JOINT
LB0977	SEAL	SELLO	DICHTUNG	JOINT
LB0978	SEAL	SELLO	DICHTUNG	JOINT
LB0979	SEAL	SELLO	DICHTUNG	JOINT
LB0980	COLLAR	COLLARÍN	MANSCHETTE	COLLERETTE
PC1128	DUST COVER	CUBIERTA	ABDECKUNG	COUVERCLE