

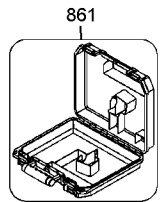
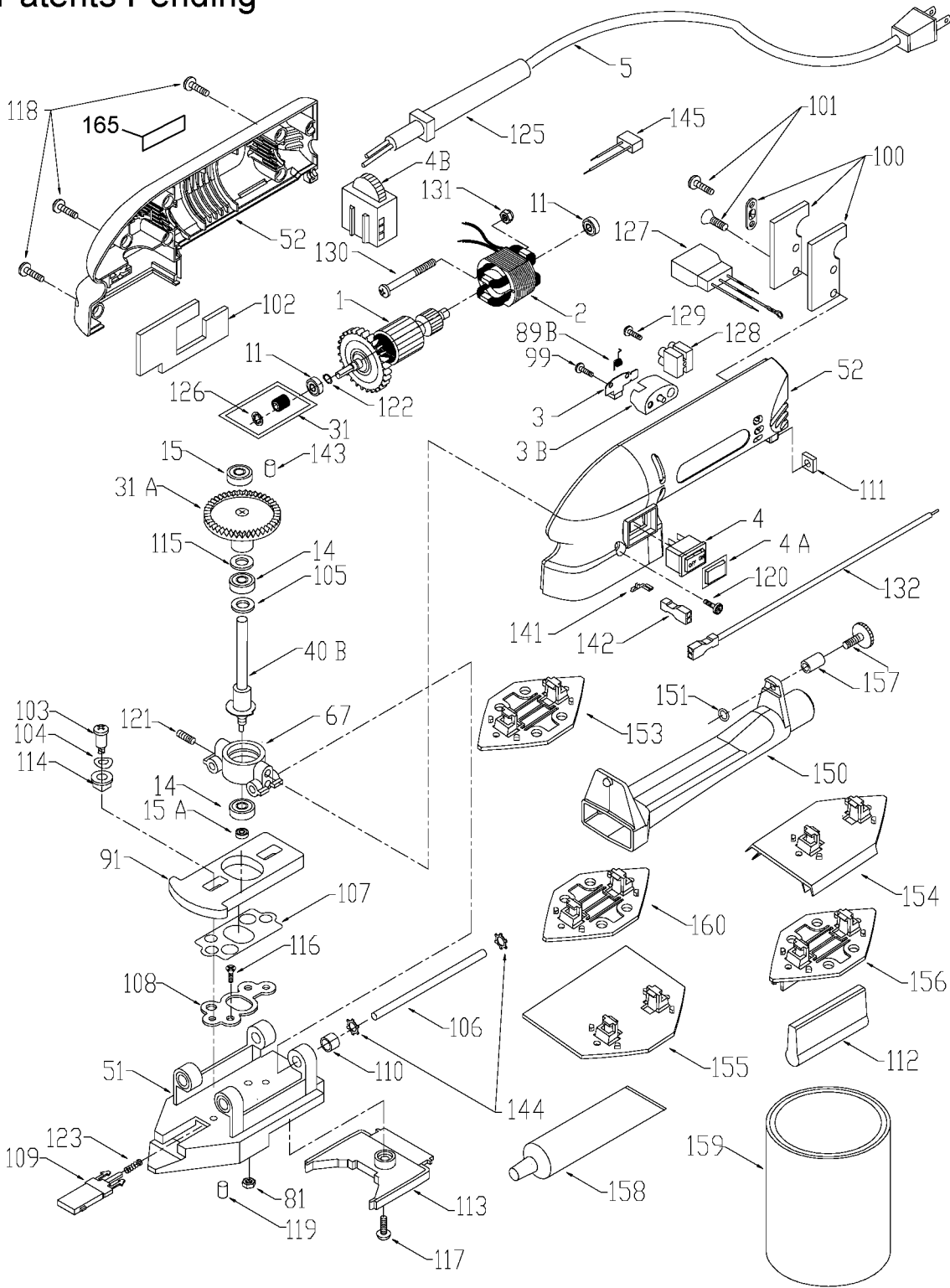
# PORTER-CABLE

## PROFILE SANDER

U.S. Patents Pending

WARNING: Electrical repairs should only be attempted by trained repairmen. Contact the nearest Porter-Cable Service Center or other competent repair center

444  
444VS



**NOTE:** Do not use unapproved lubricants or LOCTITE® products on this Sander. LOCTITE® is a registered trademark of the LOCTITE CORP., Newington, CT

## Parts List for J-444 Type 1

Item Number	Part Number	Description	Qty Required
1	884497	ARMATURE 230V	1
1	882825	ARMATURE	1
2	889851	FIELD	1
2	886804	120V VS FIELD	1
2	882826	FIELD	1
3	000000-00	No Longer Available	2
3	885294	BRUSH HOLDER	2
3	690740	BRUSH HOLDER BASE	2
4	887454	SWITCH (ON-OFF)	1
4	887453	SWITCH	1
4	887452	DUST SHIELD	1
4	886923	SWITCH-VAR SP	1
5	330072-97	CORD/10 FT/18-2	1
5	884761	CORD EURO 230V	1
11	855284	BEARING	3
14	838995SV	BALL BEARING	3
15	892441SV	BEARING	3
15	882511SV	BEARING	3
31	881112	PINION	1
31	881113	GEAR	1
40	887614	DRV SHFT/CPLE ASY 44	1
51	882824	VACUUM HSG ASSY	1
52	000000-00	No Longer Available	1
52	886710	HOUSING SET VS 120V	1
52	879194	KIT	1
67	000000-00	No Longer Available	1
81	882292	LOCK NUT	10

COPYRIGHT© 2005. All Rights Reserved.

Parts list, pricing, and availability subject to change. Please visit [www.dewaltservicenet.com](http://www.dewaltservicenet.com) for current parts information.

## Parts List for J-444 Type 1

Item Number	Part Number	Description	Qty Required
89	868775	BRUSH SPRING	2
91	881110	COUNTERWEIGHT	1
99	879298	SCREW	10
100	000000-00	No Longer Available	1
100	861434	CORD CLAMP	1
101	000000-00	No Longer Available	10
101	882703	SCREW	10
102	000000-00	No Longer Available	1
103	000000-00	No Longer Available	10
104	000000-00	No Longer Available	10
105	873567	WASHER	10
106	000000-00	No Longer Available	1
107	881111	WEAR PLATE	1
108	881109	PLATE DRIVE	1
109	879219	BUTTON ACTUATOR	1
110	879201	SLEEVE BEARING	3
111	841983	NUT	10
112	892446	PROFILES	1
113	879206	VACUUM COVER HSG	1
114	881108	SPACER	10
115	824529	WASHER	10
116	882293	SCREW	10
117	882185	SCREW MACHINE STEEL	10
118	879678	SCREW	10
119	810425	PLUG	1
120	000000-00	No Longer Available	10
121	879989	SET SCREW	10

COPYRIGHT© 2005. All Rights Reserved.

Parts list, pricing, and availability subject to change. Please visit [www.dewaltservicenet.com](http://www.dewaltservicenet.com) for current parts information.

## Parts List for J-444 Type 1

Item Number	Part Number	Description	Qty Required
122	847564	SNAP RING	1
123	873296	SPRING	10
125	810716	RELIEVER	1
126	876844	RETAINER	10
127	884764	EMI FILTER	1
128	889501	TERMINAL BLOCK	1
129	885073	SCREW	10
130	5140099-97	SCREW	10
131	885079	LOCK NUT	10
132	000000-00	No Longer Available	1
141	000000-00	No Longer Available	1
142	000000-00	No Longer Available	1
143	883782	RUBBER PLUG	1
144	000000-00	No Longer Available	1
145	888979	CHOKE	1
146	000000-00	No Longer Available	1
147	000000-00	No Longer Available	1
148	000000-00	No Longer Available	1
149	682063	CONNECTOR VS	1
150	000000-00	No Longer Available	1
150	000000-00	No Longer Available	1
150	879875	WAND	1
151	879716	O RING	1
153	000000-00	No Longer Available	1
153	879874	PAD	1
153	879203	FRAME	1
154	879324	FRAME	1

COPYRIGHT© 2005. All Rights Reserved.

Parts list, pricing, and availability subject to change. Please visit [www.dewaltservicenet.com](http://www.dewaltservicenet.com) for current parts information.

## Parts List for J-444 Type 1

Item Number	Part Number	Description	Qty Required
155	000000-00	No Longer Available	1
156	880242	PROFILE FRAME	1
156	880242	PROFILE FRAME	1
157	888267	KNOB & SPACER PKG	1
158	000000-00	No Longer Available	1
159	874809	LUBRICANT-4LBS	1
160	879203	FRAME	1
160	879873	HOOK & LOOP PAD	1
160	14444	PAD FOR H&L SHEETS	1
861	000000-00	No Longer Available	1
861	887712	LATCH CARRYING CASE	1

COPYRIGHT© 2005. All Rights Reserved.

Parts list, pricing, and availability subject to change. Please visit [www.dewaltservicenet.com](http://www.dewaltservicenet.com) for current parts information.