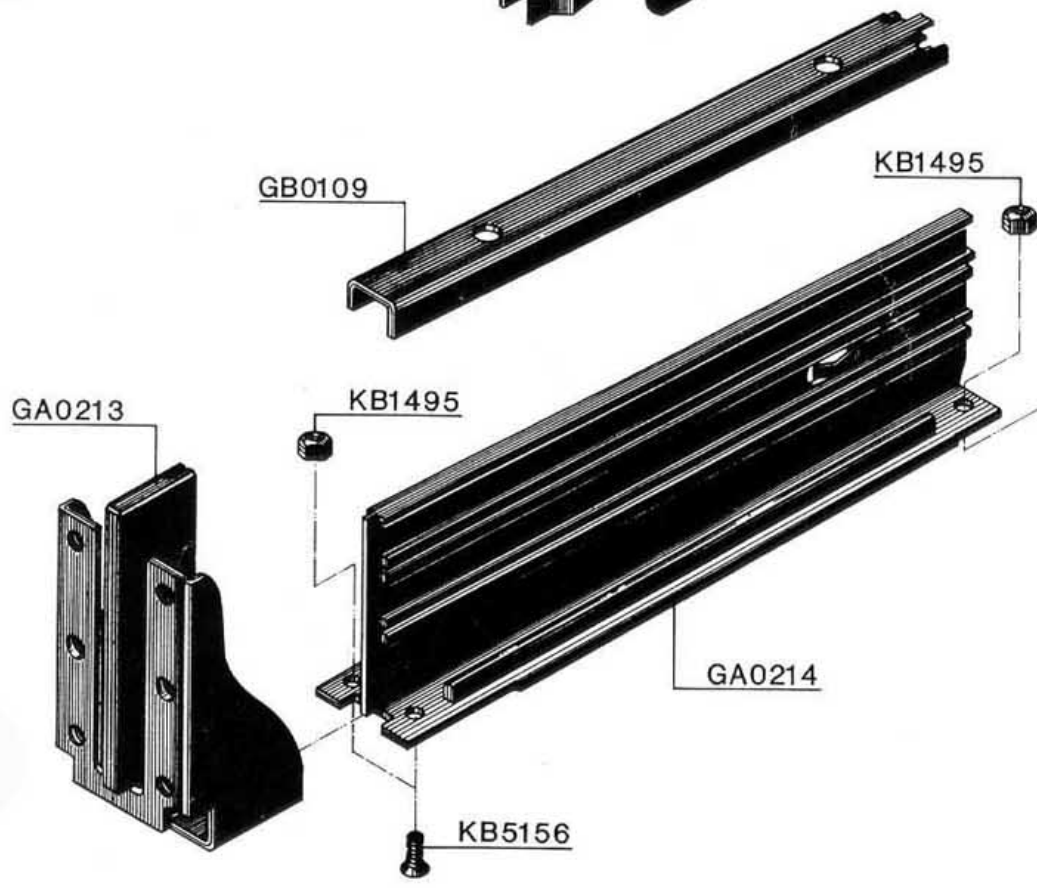
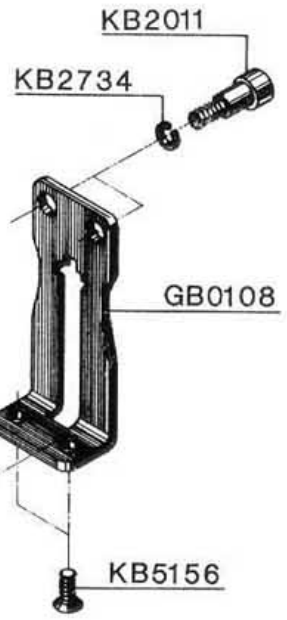
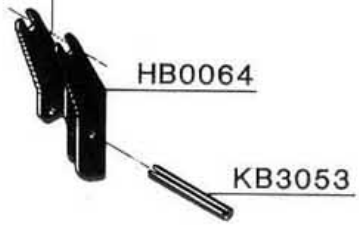
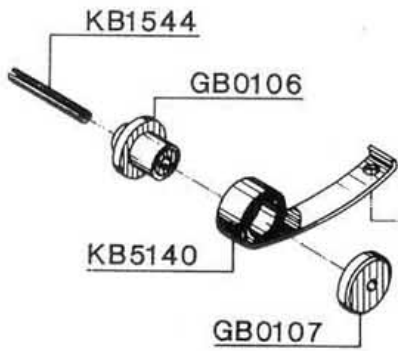
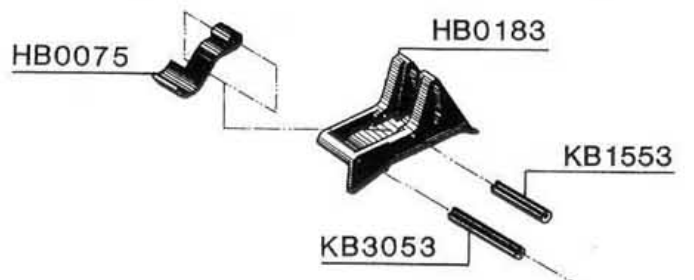
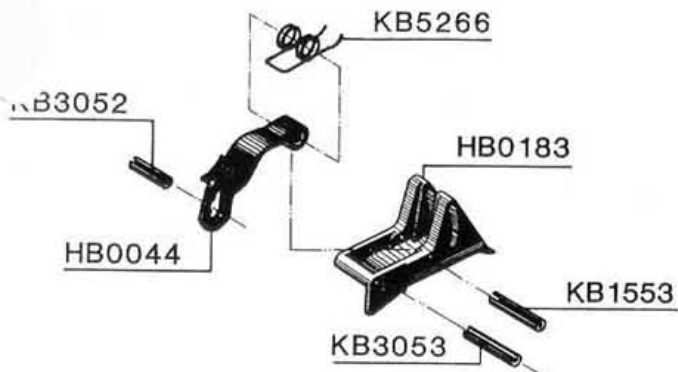


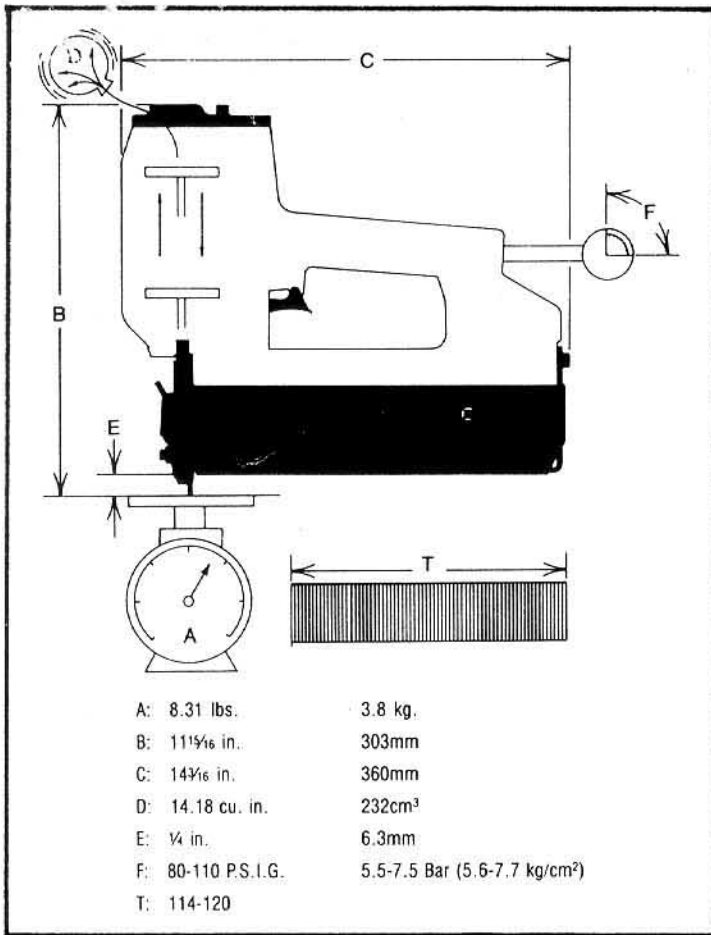
210002N

RESTRICTIVE TRIGGER

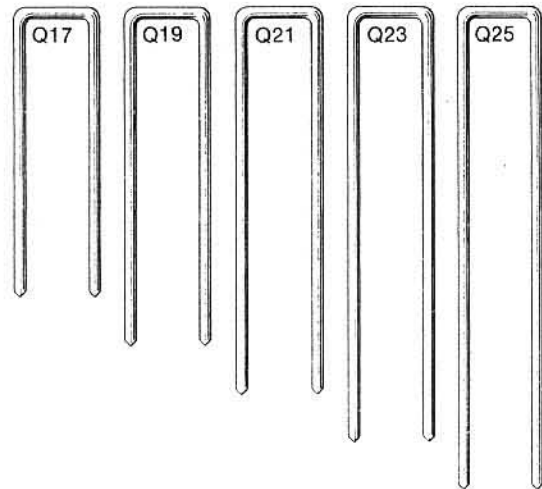
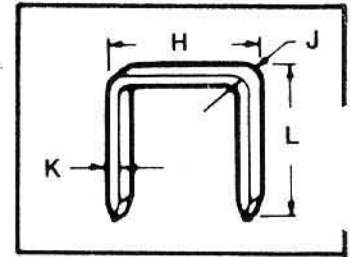
210001N

BOTTOM-FIRE TRIGGER





H:  $\frac{7}{16}$  in.      11.09mm  
 J: .074 in.      1.87mm  
 K: .067 in.      1.70mm  
 L: 1 $\frac{1}{2}$  in. — 2 $\frac{1}{2}$  in.      38mm — 63mm



#### M4 REPLACEMENT PARTS

| PART # | DESCRIPTION                     | PART # | DESCRIPTION                 | PART # | DESCRIPTION          |
|--------|---------------------------------|--------|-----------------------------|--------|----------------------|
| AA0027 | MAIN BODY ASSY.                 | GB0106 | FEEDER SPRING ROLLER        | KB2731 | WASHER               |
| AA0046 | DETENT ASSY.                    | GB0107 | SPRING RETAINER             | KB2733 | WASHER               |
| AB0029 | DETENT                          | GB0108 | REAR BRACKET                | KB2734 | WASHER               |
| BA0073 | CYLINDER CAP ASSY.              | GB0109 | UPPER STAPLE HOUSING        | KB3052 | SPRIOL PIN           |
| BA0074 | EXHAUST VALVE ASSY.             | HB0044 | INNER TRIGGER (RESTRICTIVE) | KB3053 | SPIROL PIN           |
| BA0075 | FIRING VALVE PISTON ASSY.       | HB0055 | LABEL (SAFETY PRECAUTIONS)  | KB4033 | SPRING               |
| BA0076 | CYLINDER CAP ASSY.              | HB0060 | SAFETY                      | KB5005 | SPRING               |
| BA0078 | CYLINDER SLEEVE ASSY.           | HB0061 | SAFETY LINK                 | KB5138 | VALVE SPRING         |
| BB0057 | EXHAUST DEFLECTOR               | HB0062 | ADJUSTOR                    | KB5139 | DETENT SCREW         |
| BB0072 | PLATE                           | HB0063 | RETAINING SPRING            | KB5140 | FEEDER SPRING        |
| BB0073 | PISTON STOP                     | HB0064 | TRIGGER COVER               | KB5156 | SCREW                |
| CA0058 | HOUSING                         | HB0075 | INNER TRIGGER               | KB5266 | SPRING (RESTRICTIVE) |
| CA0059 | HOUSING                         | HB0127 | LABEL (SAFETY PRECAUTIONS)  | LB0014 | SEAL                 |
| CA0060 | VALVE CORE                      | HB0183 | TRIGGER                     | LB0015 | SEAL                 |
| CB0010 | VALVE CAGE INSERT               | KA0003 | DRIVER PIN ASSY.            | LB0016 | SEAL                 |
| EA0033 | PISTON ASSY.                    | KB0016 | SCREW                       | LB0019 | SEAL                 |
| EB0196 | DRIVER ( $\frac{1}{16}$ " CSK.) | KB0043 | SCREW                       | LB0022 | SEAL                 |
| EB0198 | DRIVER ( $\frac{3}{16}$ " CSK.) | KB0045 | SCREW                       | LB0024 | SEAL                 |
| FA0118 | BACKPLATE                       | KB0067 | SCREW                       | LB0038 | SEAL                 |
| FB0043 | BRACER SPRING                   | KB0156 | SCREW                       | LB0044 | SEAL                 |
| FC0049 | BACK UP SPRING                  | KB0645 | SET SCREW                   | LB0083 | SEAL                 |
| FC0050 | RIGHT LOCKING BLOCK             | KB1495 | HEX NUT                     | LB0086 | SEAL                 |
| FC0052 | GATE                            | KB1544 | SPRING PIN                  | LB0089 | SEAL                 |
| FC0055 | ADJUSTING BLOCK                 | KB1553 | SPRING PIN                  | LB0093 | SEAL                 |
| FC0059 | LEFT LOCKING BLOCK              | KB1568 | SPRING PIN                  | LB0118 | SEAL                 |
| FH0001 | LOCK ASSY.                      | KB2011 | SHOULDER SCREW              | LB0131 | SEAL                 |
| GA0213 | BACK UP PLATE                   | KB2403 | DOWEL PIN                   | LB0137 | SEAL                 |
| GA0214 | MAGAZINE RAIL                   | KB2704 | LOCK WASHER                 | LB0768 | SEAL                 |
| GA0215 | FEEDER CLIP                     |        |                             | LB3499 | SEAL                 |