

Type:
Part no.:

MSh 635 (60Hz,110V)
72231213114

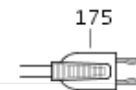
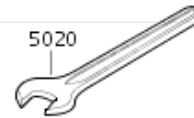
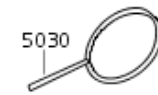
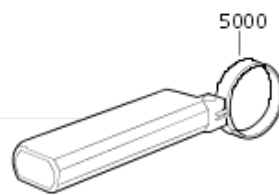
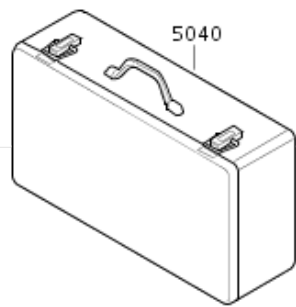
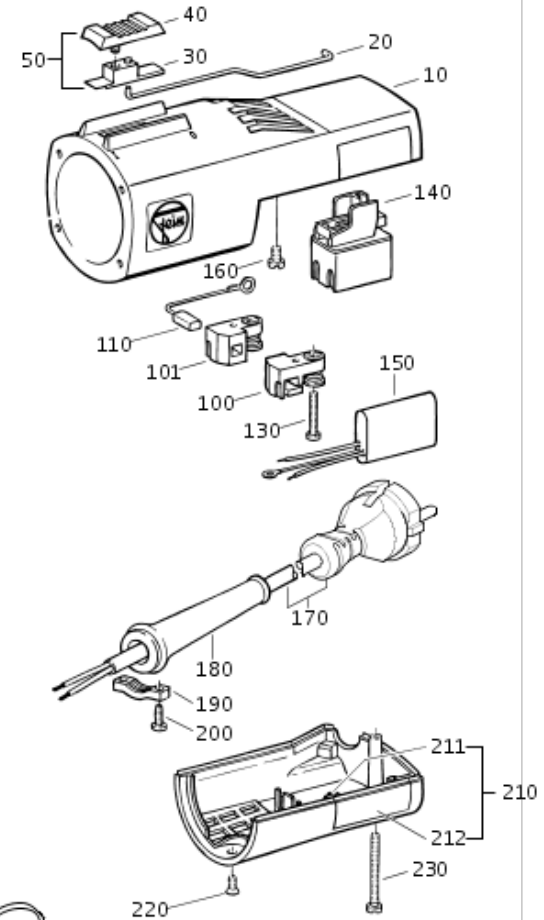
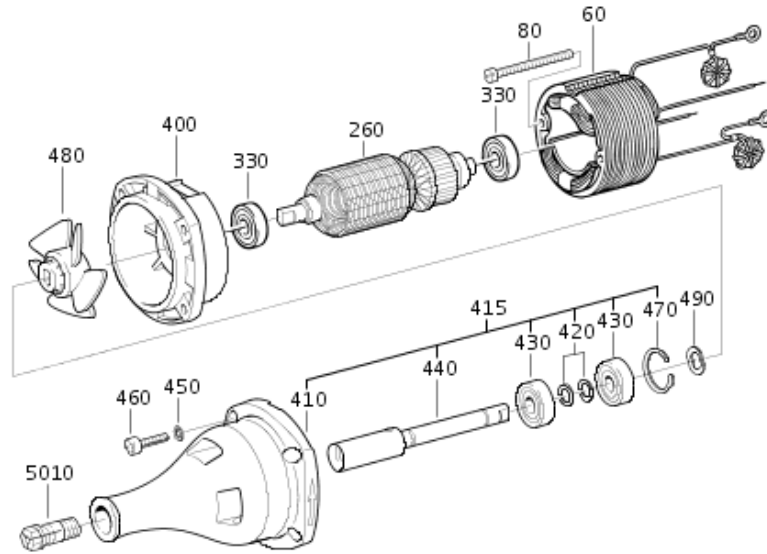


Item	Part no.	Designation	Quantity	Price RPR	AT	Country
0010	31901017007	MOTOR HOUSING	1	on req.	-	-
0020	32816025003	SWITCH ROD	1	on req.	-	-
0030	32816039001	SLIDING PLATE	1	on req.	-	-
0040	32805118004	Switch lever	1	on req.	-	-
0050	32805118013	SLIDING BUTTON ASS.	1	on req.	-	-
0060	51203024113	FIELD WITH WINDING	1	on req.	X	-
0080	43002022995	FILLISTER HEAD SCREW	2	on req.	-	-
0100	30712055011	BRUSH HOLDER	1	on req.	-	-
0101	30712056014	BRUSH HOLDER	1	on req.	-	-
0110	30711062001	CARBON BRUSH	2	on req.	-	-
0130	43041007990	FILLISTER HEAD SCREW	2	on req.	-	-
0140	30701060000	SWITCH	1	on req.	-	-
0150	30722037004	INTERF. CAPACITOR	1	on req.	-	-
0160	43003013991	COUNTERSUNK SCREW	1	on req.	-	-
0175	30707097010	CABLE ASS.	1	on req.	-	-
0180	31413142009	Protecting sleeve	1	on req.	-	-
0190	32431021007	CLAMPING PIECE	1	on req.	-	-
0200	43041001994	FILLISTER HEAD SCREW	2	on req.	-	-
0210	32427028006	COVER	1	on req.	-	-
0211	31415042008	Bolster	1	on req.	-	-
0212	32414083003	INSERT	1	on req.	-	-
0220	43066002992	Countersunk h. screw	1	on req.	-	-
0230	43003025992	COUNTERSUNK SCREW	1	on req.	-	-
0260	53203027116	ARMATURE	1	on req.	X	-
0330	41701001172	GROOVE BALL BEARING	2	on req.	-	-
0400	31506294005	Interm.Housing	1	on req.	-	-
0410	31510069008	Spindle housing ass.	2	on req.	-	-
0415	31510069017	SPINDLE HOUSING ASS.	1	on req.	X	-
0420	42615090002	RETAINER RING	4	on req.	-	-
0430	41701001172	GROOVE BALL BEARING	4	on req.	-	-
0440	33406217007	DRIVING SHAFT	2	on req.	-	-
0450	42443002992	LOCKING WASHER	4	on req.	-	-
0460	43041024997	FILLISTER HEAD SCREW	4	on req.	-	-
0470	42644002007	SEEGER CIRCLIP RING	2	on req.	-	-
0480	31004033007	FAN	1	on req.	-	-
0490	42446012004	WASHER	1	on req.	-	-
5000	32119084018	HANDLE ASS.	1	on req.	-	-
5010	63207111001	COLLET (1/8 INCH.)	1	on req.	X	-
5020	62901003008	SINGLE HEAD WRENCH	1	on req.	-	-
5030	62913020004	LOCKING PIN	1	on req.	-	-
5040	33901065007	Tool case	1	on req.	-	-
9000	34100324069	Operating instruction	1	on req.	-	-
9010	34150324010	Parts list MSh 635	1	on req.	-	-

Type:
Part no.:

MSh 635 (60Hz,110V)
72231213114

7 223 12 - MSh 635



N 12/ US
N 23/ JP
N 13

