

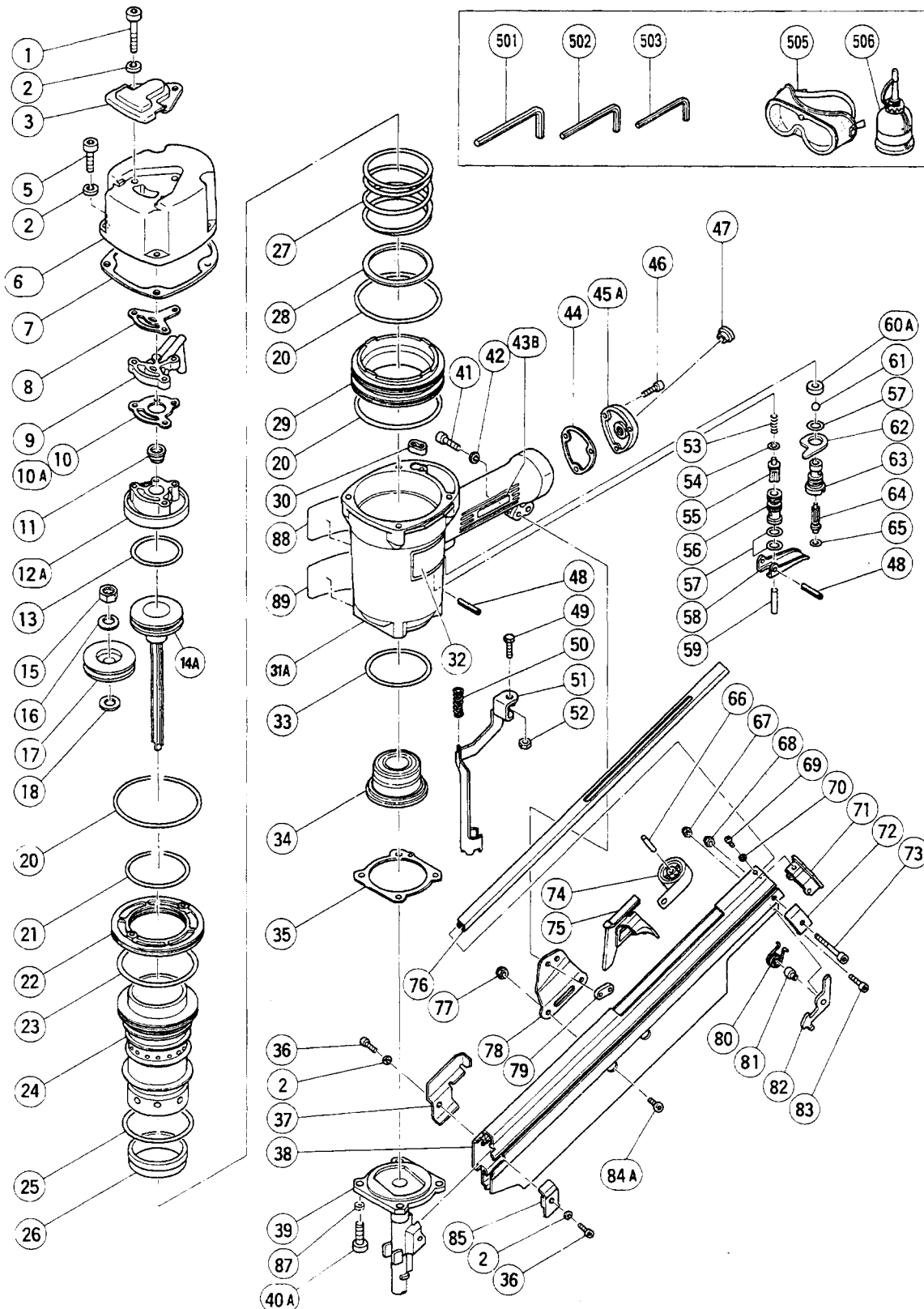
## PNEUMATIC TOOL PARTS LIST

■ STRIP NAILER

1997.1.30

Model NR 83AA CLIP HEAD, PAPER COLLATION

(E3)



## PARTS

NR 83AA

ITEM NO.	CODE NO.	DESCRIPTION	NO. USED	REMARKS
1	949-832	HEX. SOCKET HD. BOLT M6X45 (10 PCS.)	3	
2	949-455	SPRING WASHER M6 (10 PCS.)	9	
3	877-330	TOP COVER	1	
5	949-652	HEX. SOCKET HD. BOLT M6X25 (10 PCS.)	4	
6A	877-324	EXHAUST COVER	1	
7	877-325	GASKET (B)	1	
8	877-329	GASKET (F)	1	
9	877-328	EXHAUST PIECE	1	
10	877-326	GASKET (C)	1	TILL 6.1988
10A	877-854	GASKET (C)	1	SINCE 7.1988
11	878-417	EXHAUST VALVE	1	
12A	877-307	HEAD CAP AND GASKET SET	1	INCLUD.10A
13	877-368	O - RING (1AP - 48)	1	
14A	878-630	PISTON	1	
15	878-280	SMALL HEX. NUT M12	1	TILL 11.1994
16	878-271	BELLEVILLE SPRING WASHER	1	TILL 11.1994
17	878-301	PISTON	1	TILL 11.1994
18	878-272	WASHER	1	TILL 11.1994
20	877-316	O - RING (S - 90)	3	
21	877-312	CYLINDER O - RING (I.D 63.1)	1	
22	877-318	CYLINDER PLATE	1	
23	877-313	CYLINDER O - RING (I.D 79.3)	1	
24	877-810	CYLINDER	1	
25	877-314	CYLINDER O - RING (I.D 69.3)	1	
26	877-317	CYLINDER RING	1	
27	877-321	CYLINDER SPRING	1	
28	877-322	BASE WASHER	1	
29	877-310	CYLINDER GUIDE	1	
30	877-327	GASKET (G)	1	
31A	877-835	BODY (B)	1	
32		NAME PLATE	1	
33	877-315	CYLINDER O - RING (I.D 63.9)	1	
34	878-303	PISTON BUMPER	1	
35	877-334	GASKET (A)	1	
36	949-755	HEX. SOCKET HD. BOLT M6X16 (10 PCS.)	2	
37	878-632	GUARD	1	
38	878-645	MAGAZINE	1	
39	878-641	NOSE	1	
40A	880-810	NYLOCK HEX. SOCKET HD. BOLT M8X25	4	
41	949-757	HEX. SOCKET HD. BOLT M5X20 (10 PCS.)	2	
42	949-454	SPRING WASHER M5 (10 PCS.)	2	
43B	878-312	HITACHI LABEL	1	
44	877-331	GASKET (D)	1	
45A	878-311	CAP	1	
46	949-658	HEX. SOCKET HD. BOLT M5X18 (10 PCS.)	3	
47	872-035	DUST CAP	1	
48	949-866	ROLL PIN D3X30 (10 PCS.)	2	
49	875-650	SAFETY BOLT	1	
* 50	877-365	SPRING	1	
* 50	878-423	SPRING	1	FOR EUROPE
51	878-642	PUSHING LEVER	1	

\*: ALTERNATIVE PARTS



