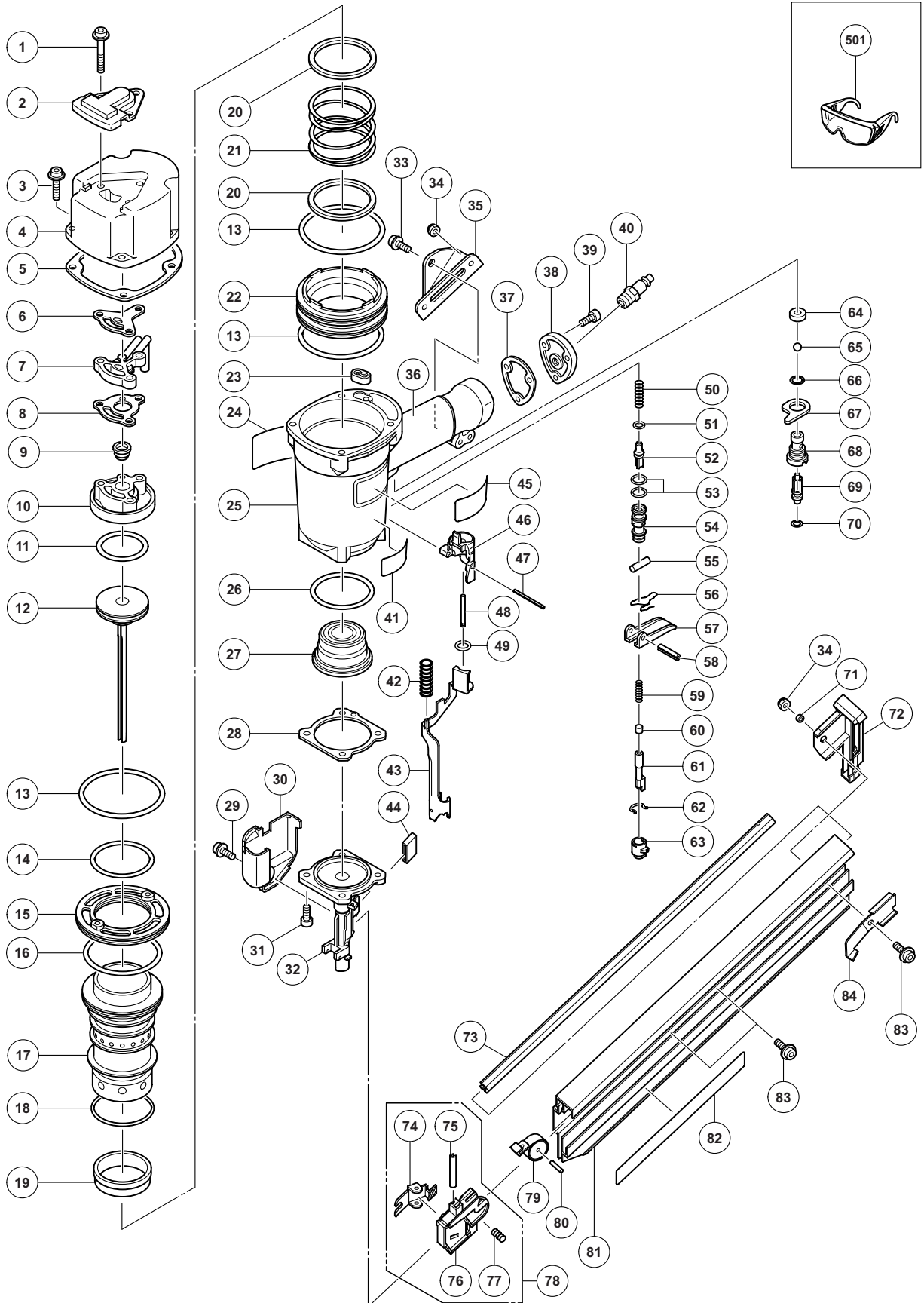


PNEUMATIC TOOL PARTS LIST

STRIP NAILER
Model NR 83AA4

2013·5·13
(E1)



PARTS

NR 83AA4

ITEM NO.	CODE NO.	DESCRIPTION	NO. USED	REMARKS
1	883-509	HEX. SOCKET HD. BOLT (W/FLANGE) M6 X 45	3	
2	877-330	TOP COVER	1	
3	883-507	HEX. SOCKET HD. BOLT (W/SP. WASHER) M6 X 25	4	
4	877-324	EXHAUST COVER	1	
5	877-325	GASKET (B)	1	
6	877-329	GASKET (F)	1	
7	877-328	EXHAUST PIECE	1	
8	877-854	GASKET (C)	1	
9	887-774	EXHAUST VALVE	1	
10	888-138	HEAD CAP AND GASKET SET	1	INCLUD. 8
11	877-368	O-RING (1AP-48)	1	
12	883-510	PISTON	1	
13	877-316	O-RING (S-90)	3	
14	877-312	CYLINDER O-RING (I.D 63.1)	1	
15	877-318	CYLINDER PLATE	1	
16	877-314	CYLINDER O-RING (I.D 69.3)	1	
17	888-133	CYLINDER	1	
18	878-376	O-RING (I.D 59.6/W2.4)	1	
19	877-317	CYLINDER RING	1	
20	877-322	BASE WASHER	2	
21	877-321	CYLINDER SPRING	1	
22	888-132	CYLINDER GUIDE (C)	1	
23	877-327	GASKET (G)	1	
24	888-143	WARNING LABEL	1	
25	888-137	BODY ASS'Y	1	INCLUD. 36
26	877-315	CYLINDER O-RING (I.D 63.9)	1	
27	883-511	PISTON BUMPER (B)	1	
28	877-334	GASKET (A)	1	
29	882-974	NYLOCK BOLT (W/FLANGE) M6 X 12	1	
30	883-493	GUARD	1	
31	883-492	NYLOCK HEX. SOCKET HD. BOLT M8 X 22	4	
32	887-775	NOSE	1	
33	883-505	NYLOCK BOLT (W/FLANGE) M8 X 16	1	
34	963-837	NYLON NUT M6	3	
35	883-504	HANDLE ARM	1	
36		GRIP RUBBER	1	(SUPPLIED WITH ITEM NO. 605, 606)
37	877-331	GASKET (D)	1	
38	878-311	CAP	1	
39	949-658	HEX. SOCKET HD. BOLT M5 X 18 (10 PCS.)	3	
40	887-863	AIR PLUG NPT 3/8	1	
41		LABEL	1	
42	884-117	SPRING	1	
43	887-907	PUSHING LEVER (D)	1	
44	883-491	NOSE RUBBER	1	
45		NAME PLATE	1	
46	887-862	VALVE GUARD	1	
47	887-852	ROLL PIN D3 X 45	1	
48	887-732	ROD (C)	1	
49	881-715	O-RING (S3)	1	
50	887-724	PLUNGER SPRING	1	

PARTS

NR 83AA4

ITEM NO.	CODE NO.	DESCRIPTION	NO. USED	REMARKS
51	874-436	O-RING (P-4)	1	
52	887-725	PLUNGER	1	
53	884-112	O-RING (I.D 10.7)	2	
54	888-135	VALVE BUSHING	1	
55	887-768	PIN	1	
56	887-727	TRIGGER SPRING	1	
57	876-203	TRIGGER	1	
58	887-865	ROLL PIN D3 X 30	1	
59	887-728	ROD SPRING	1	
60	887-729	ROD (B)	1	
61	887-904	ROD (A)	1	
62	886-331	RATCHET SPRING	1	
63	888-136	CHANGE KNOB	1	
64	878-734	VALVE PACKING	1	
65	875-645	URETHANE BALL (C) D7.14	1	
66	875-638	O-RING (S-12)	1	
67	887-771	VALVE PLATE	1	
68	888-134	TRIGGER VALVE BUSHING	1	
69	887-905	TRIGGER PLUNGER	1	
70	887-840	O-RING	1	
71	883-499	SLEEVE	1	
72	883-497	MAGAZINE COVER	1	
73	883-496	NAIL RAIL	1	
74	883-502	NAIL FEEDER (A)	1	
75	949-688	ROLL PIN D4 X 40 (10 PCS.)	1	
76	883-501	NAIL FEEDER (B)	1	
77	883-441	FEEDER SPRING	1	
78	883-500	NAIL FEEDER ASS'Y	1	INCLUD. 74-77
79	883-503	RIBBON SPRING	1	
80	943-364	NEEDLE ROLLER D4 X 20	1	
81	883-495	MAGAZINE	1	
82		LABEL	1	
83	984-443	HEX. SOCKET HD. BOLT (W/FLANGE) M6 X 12	3	
84	883-498	NAIL STOPPER	1	

STANDARD ACCESSORIES

NR 83AA4

ITEM NO.	CODE NO.	DESCRIPTION	NO. USED	REMARKS
501	875-769	SAFETY GLASSES	1	

OPTIONAL ACCESSORIES

ITEM NO.	CODE NO.	DESCRIPTION	NO. USED	REMARKS
601	877-153	PNEUMATIC TOOL LUBRICANT (30 CC)	1	
602	874-042	PNEUMATIC TOOL LUBRICANT (120 CC)	1	
603	876-212	PNEUMATIC TOOL LUBRICANT (1 L)	1	
604	317-918	GREASE (ATTOLUB NO. 2) 500 G	1	
605	881-768	GRIP TAPE (A)	1	
606	880-407	TAPE	2	