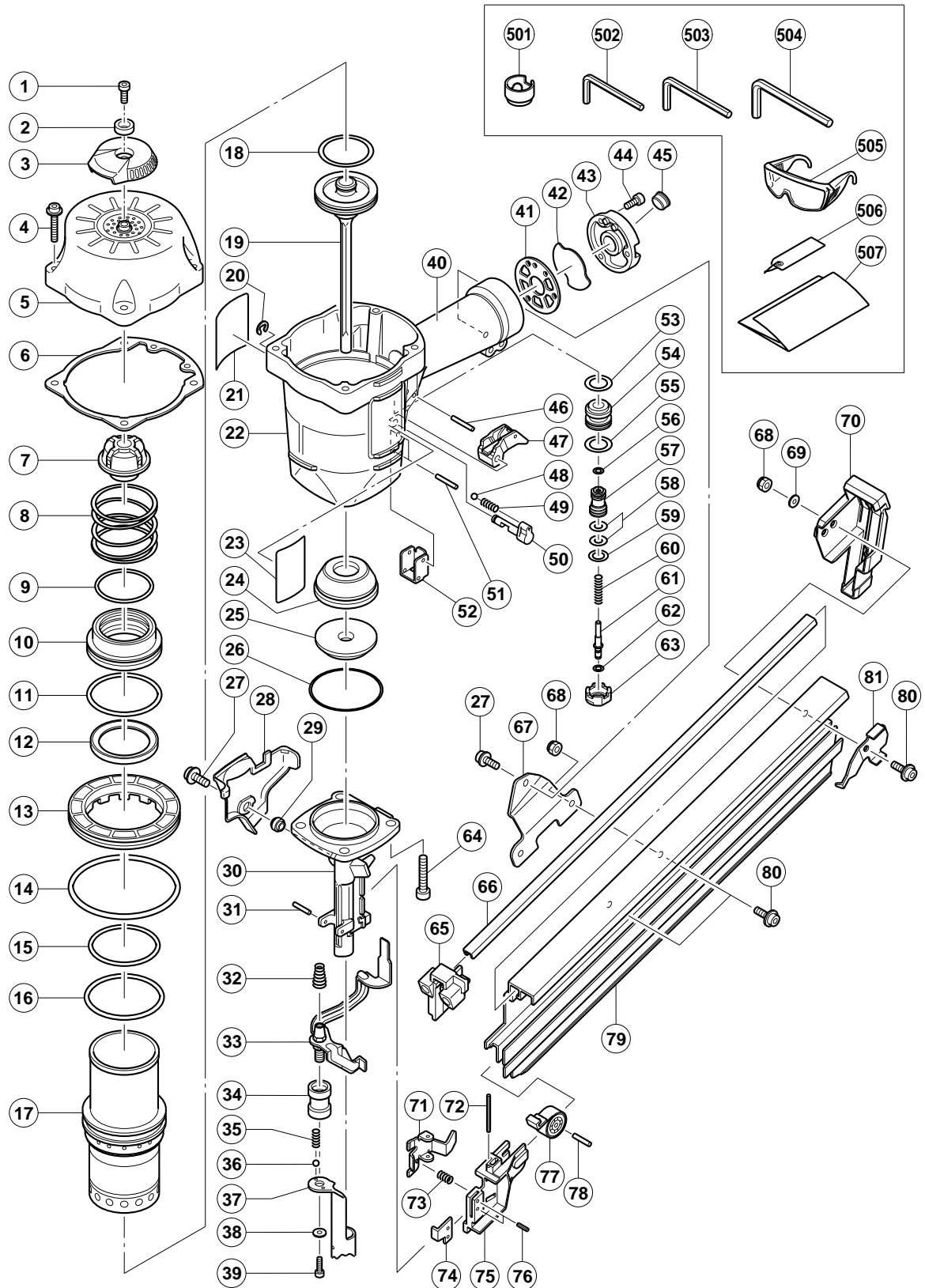


PNEUMATIC TOOL PARTS LIST

STRIP NAILER
Model NR 90AC3

2003 • 9 • 10
(E1)



PARTS

NR 90AC3

ITEM NO.	CODE NO.	DESCRIPTION	NO. USED	REMARKS
1	949-755	HEX. SOCKET HD. BOLT M6X16 (10 PCS.)	1	
2	880-515	PLATE	1	
3	880-514	TOP COVER	1	
4	882-793	HEX. SOCKET HD. BOLT (W/FLANGE) M6X35	4	
5	881-946	EXHAUST COVER	1	
6	881-940	GASKET (A)	1	
7	881-945	EXHAUST VALVE RUBBER	1	
8	881-944	HEAD VALVE SPRING	1	
9	883-676	CYLINDER O-RING (B)	1	
10	881-942	HEAD VALVE	1	
11	883-677	CYLINDER O-RING	1	
12	881-943	HEAD VALVE RUBBER	1	
13	881-941	CYLINDER PLATE	1	
14	878-907	O-RING (S-95)	1	
15	878-376	O-RING (I.D 59.6/W2.4)	1	
16	881-972	O-RING	1	
17	881-939	CYLINDER	1	
18	877-368	O-RING (1AP-48)	1	
19	883-680	PISTON	1	
20	955-479	RETAINING RING (E-TYPE) FOR D6 SHAFT	1	
21	884-070	WARNING LABEL	1	
22	884-140	BODY	1	
23		NAME PLATE	1	
24	883-670	PISTON BUMPER (A)	1	
25	883-671	PISTON BUMPER (B)	1	
26	956-996	O-RING (1AS-60)	1	
27	881-969	NYLOCK BOLT (W/FLANGE) M6X20	2	
28	881-935	GUARD	1	
29	883-674	COLLAR (B)	1	
30	883-672	NOSE	1	
31	949-864	ROLL PIN D3X22 (10 PCS.)	1	
32	883-691	SPRING	1	
33	883-673	PUSHING LEVER (B)	1	
34	881-974	ADJUSTER (A)	1	
35	982-454	SPRING (C)	2	
36	959-155	STEEL BALL D3.97 (10 PCS.)	2	
37	881-933	PUSHING LEVER (A)	1	
38	880-081	WASHER	1	
39	949-657	HEX. SOCKET HD. BOLT M6X12 (10 PCS.)	1	
40		GRIP RUBBER	1	(SUPPLIED WITH ITEM NO. 606, 607)
41	883-678	GASKET (B)	1	
42	883-679	DUST FILTER	1	
43	881-949	CAP	1	
44	949-821	HEX. SOCKET HD. BOLT M5X16 (10 PCS.)	3	
45	872-035	DUST CAP	1	
46	949-864	ROLL PIN D3X22 (10 PCS.)	1	
47	884-145	TRIGGER (A)	1	
48	959-155	STEEL BALL D3.97 (10 PCS.)	1	
49	982-454	SPRING (C)	1	
50	884-141	CHANGE KNOB	1	
51	949-865	ROLL PIN D3X28 (10 PCS.)	2	

