



INSTRUCTIONS AND PARTS LIST FOR SC41011AS PNEUMATIC SCALERS

▲ WARNING

Read and understand and these instructions before operating this tool.

SAVE THESE INSTRUCTIONS!

INTENDED USE

The intended use of this tool is for cleaning, paint stripping, and chiseling on metal surfaces. Do not use this tool for any other purpose.

AIR SUPPLY

The efficiency of the tool is dependent on the proper supply of clean dry air at 90 psig (6.2 bar). The use of an in-line filter and pressure regulator will insure maximum output and tool life. Before connecting the tool, blow out the air line to remove water and dirt which may have accumulated.

LUBRICATION

An airline lubricator, set to deliver one drop per minute, is recommended. If a lubricator is not used, add .04 oz (1.2 cc) of Sioux No. 288 air motor oil into the inlet daily.

HOSE AND HOSE CONNECTIONS

The supply hose I.D. should not be less than 5/16" (8mm). Do not use coupling or fitting with a smaller I.D. than the supply hose. When using quick couplers, install a leader hose between the tool and the quick coupler.

GENERAL OPERATION

Operation

Scaler tools with a solid back head do not have on/off valve control integral with the tool. Trigger control is provided with add on components. Be sure the needles or chisel are against the work piece before depressing the throttle. Release the throttle to stop the tool.

The scalers are convertible to be used as either a chisel scaler or needle scaler. The needle housing is removed or installed by pushing the needle housing onto the front of the tool to interlock on the tab extending out the side of the tool.

The chisels or needle scaler driver are installed or removed by pulling up on the tab extending from the side of the tool to release the chisel.

Never operate the scaler without a chisel because internal damage can occur to the tool.

Always unhook tool from the air supply before changing chisels.

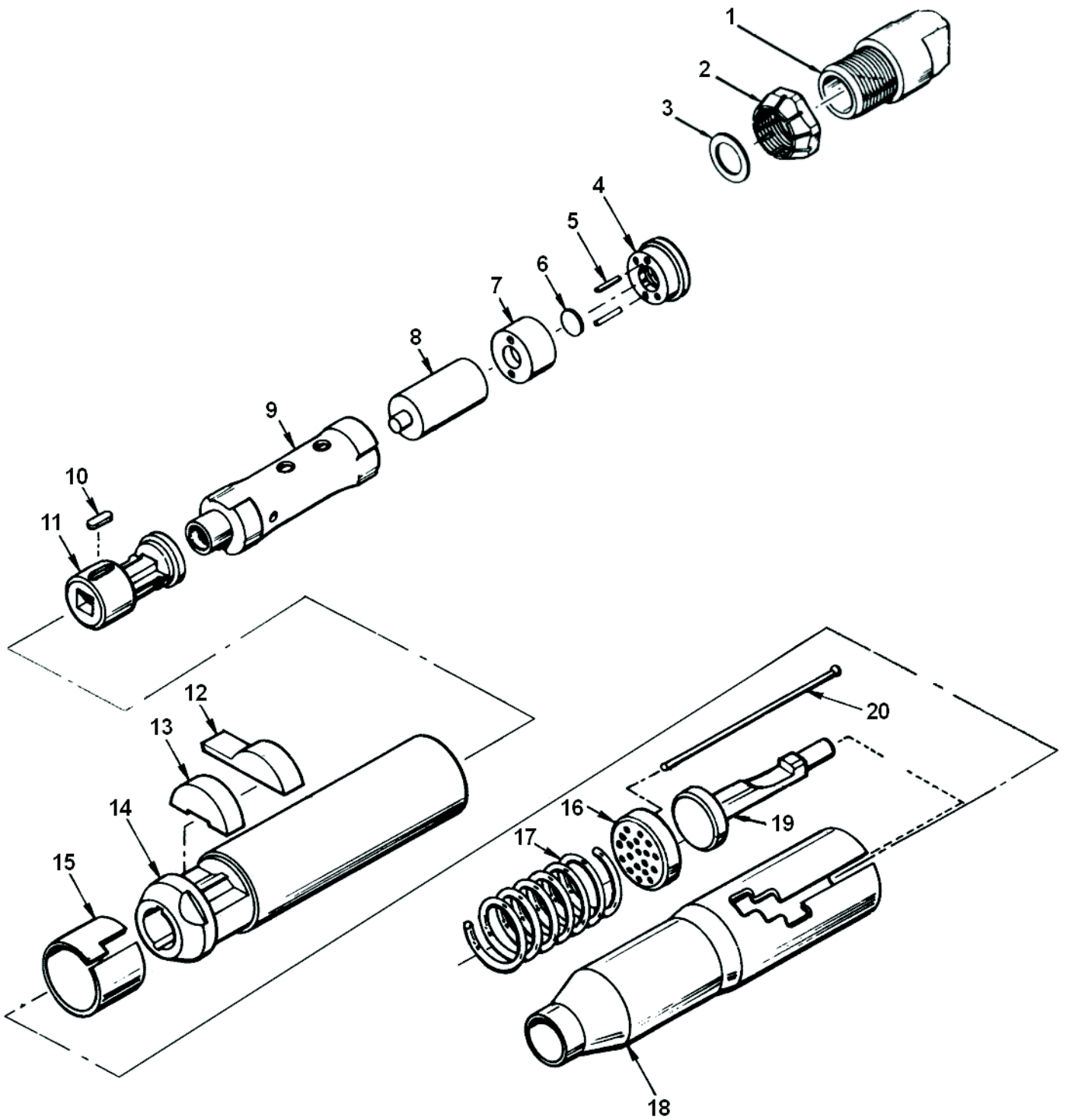
IF THE TOOL LOSES POWER, CHECK THE FOLLOWING:

- **Air pressure**
Ensure that there is adequate supply of clean, dry air at 90 psig (6.2 bar).
- **Chisels and needles**
Check for worn and broken chisels or needles.
- **Hose size**
Ensure that the hoses, couplers, and fittings meet the criteria in "**HOSE AND HOSE CONNECTIONS**".
- **Sluggish or erratic operation**
Flush tool out with a small amount of petroleum solvent and operate for a few seconds, then re-lubricate the tool using air motor oil. If the tool still does not perform correctly it will need to be disassembled and repaired.

SIoux TOOLS INC.

250 SNAP-ON DRIVE ■ PO BOX 1596 ■ MURPHY, NC 28906 ■ USA ■

Printed In U.S.A.



PARTS LIST FOR SC41011AS SCALERS

Fig. No.	Part No.	Description
1.	602380	Solid Backhead
2.	601793	Backhead Lock Ring
3.	601796	Backhead Positioning Spacer
4.	601802	Valve Block Button
5.	601803	Dowel Pin (2)*
6.	601804	Flutter Valve
7.	601805	Valve Block
8.	601806	Plunger
9.	601807	Cylinder Sleeve
10.	601808	Tool Nose Key
11.	601809	Tool Nose
12.	601810	Retainer
13.	601811	Retainer Buffer
14.	601812	Barrel
15.	601813	Retainer Clip
	601822	Retainer Clip (Heavy Duty Use)
16.	601814	Needle Holder
17.	601815	Needle Spring
18.	601816	Round Needle Tube
19.	601817	Needle Driver
20.	2260	Needle Set of 19 (5" X .125")
	2262	Needle Set of 19 (7" X .125)

ASSEMBLIES WITH INCLUDED PARTS LISTED:

- 601818 Valve Block Assembly (Includes Fig 18-21)
- 601819 Round Needle Attachment (Includes Fig 30-34)
- 601820 Barrel Assembly (Includes Fig 23-25, 28)

NOT SHOWN:

- 601860 Needle Tube Cover

*Order Quantity As Required

FURNISH CATALOG, SERIAL, AND MODEL NUMBER
WHEN ORDERING PARTS



▲ WARNING



Some dust created by power sanding, sawing, grinding, drilling, and other construction activities contains chemicals known to cause cancer, birth defects or other reproductive harm.

▲ ADVERTENCIA



El polvo generado al lijar, aserrar, afilar, taladrar y realizar otras tareas de construcción contiene sustancias químicas que podrían causar cáncer, malformaciones congénitas y otras alteraciones del aparato reproductor.

**SIoux
TOOLS INC.**

250 SNAP-ON DRIVE ■ PO BOX 1596 ■ MURPHY, NC 28906 ■ USA ■

Printed In U.S.A.