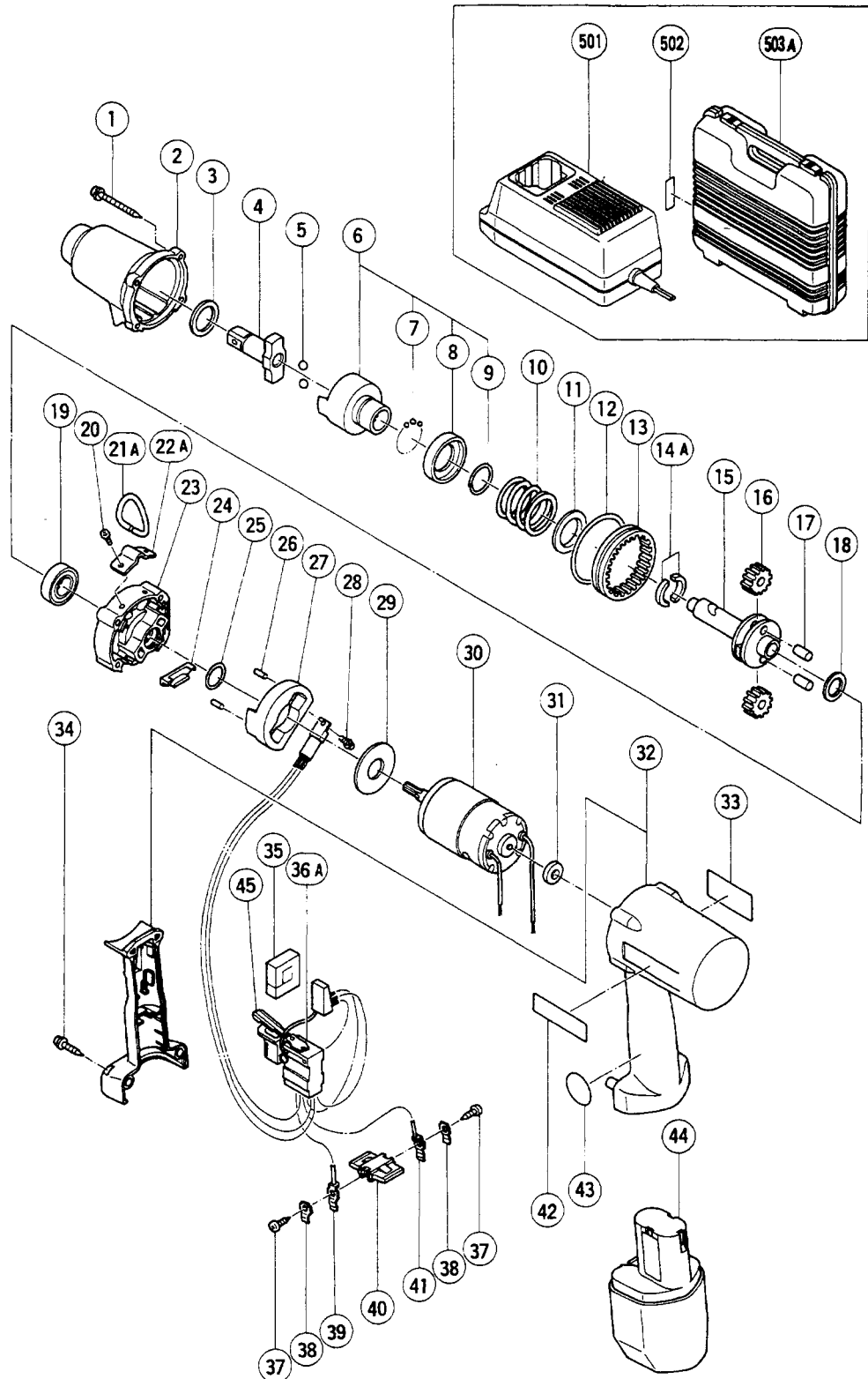


ELECTRIC TOOL PARTS LIST

■ CORDLESS IMPACT WRENCH
Model WH 12D

1992 · 8 · 31
(E2)



PARTS

WH 12D

ITEM NO.	CODE NO.	DESCRIPTION	NO. USED	REMARKS
1	992-630	TAPPING SCREW (W/SP. WASHER) D4X40	4	
2	303-895	HAMMER CASE	1	
3	991-456	WASHER (A)	1	
* 4	303-897	ANVIL (B)	1	
* 4	302-727	ANVIL	1	FOR TPE,INA,SIN,SAF
5	959-154	STEEL BALL D5.556 (10 PCS.)	2	
6	985-985	HAMMER ASS'Y	1	INCLUD.7-9
7	959-148	STEEL BALL D3.175 (10 PCS.)	26	
8	985-990	SPRING SHEET	1	
9	985-991	RETAINING RING	1	
10	302-718	SPRING	1	
11	302-717	WASHER (B)	1	
12	980-744	O - RING (S - 55)	1	
13	303-199	RING GEAR	1	
14A	303-198	STOPPER PIECE (B)	2	
15	302-715	SPINDLE	1	
16	985-976	IDLE GEAR	2	
17	302-716	NEEDLE ROLLER	2	
18	302-714	WASHER	1	
19	600-2VV	BALL BEARING 6002VVCMP2S	1	
20	949-215	MACHINE SCREW M4X8 (10 PCS.)	2	
21A	302-725	HANGER (B)	1	
22A	302-726	HANGER PLATE	1	
23	303-896	INNER COVER	1	
24	302-723	DAMPER (B)	1	
25	878-885	O - RING (S - 18)	1	
26	984-321	RUBBER PIN	2	
27	302-730	FIN	1	
28	998-362	MACHINE SCREW (W/SP. WASHER) M3.5X8	1	
29	302-722	DAMPER (A)	1	
30	302-728	MOTOR	1	
31	302-712	RUBBER RING	1	
32	303-898	HOUSING SET	1	
33		NAME PLATE	1	
34	984-750	TAPPING SCREW (W/FLANGE) D4X16	2	
35	992-078	SEAL	1	
36A	302-734	SWITCH ASS'Y (1P PLUG IN TYPE) W/O LOCK	1	INCLUD.39,41,45
37	958-715	TAPPING SCREW D4X10	2	
38	996-118	HOLDER SPRING	2	
39	300-204	TERMINAL	1	
40	303-899	TERMINAL PIECE	1	
41	302-338	TERMINAL	1	
42	303-900	HITACHI LABEL	1	
43	987-135	MARK PLATE	1	
* 44	300-002	BATTERY EB 12 (W/ENGLISH N.P.)	1	
* 44	300-004	BATTERY EB 12 (W/ENGLISH N.P.)	1	FOR USA,CAN
* 44	302-758	BATTERY EB 12 (W/ENGLISH N.P.)	1	FOR HOL,DEN
* 44	300-001	BATTERY EB 12 (W/GERMAN N.P.)	1	FOR FRG
* 44	300-003	BATTERY EB 12 (W/FRENCH N.P.)	1	FOR FRA
* 44	300-402	BATTERY EB 12 (W/GERMAN N.P.)	1	FOR SUI
* 44	302-881	BATTERY EB 12 (W/ENGLISH N.P.)	1	FOR SWE

*: ALTERNATIVE PARTS

PARTS

WH 12D

ITEM NO.	CODE NO.	DESCRIPTION	NO. USED	REMARKS
44	302-973	BATTERY EB 12 (W/GERMAN N.P.)	1	FOR BEL
45	306-845	REVERSING SWITCH	1	

STANDARD ACCESSORIES

ITEM NO.	CODE NO.	DESCRIPTION	NO. USED	REMARKS
501		CHARGER (MODEL UC 12Y)	1	DEPENDING ON ORDER SPEC.
502		HITACHI LABEL	1	
503A	306-306	CASE	1	DEPENDING ON ORDER SPEC.

*: ALTERNATIVE PARTS

OPTIONAL ACCESSORIES

WH 12D

ITEM NO.	CODE NO.	DESCRIPTION	NO. USED	REMARKS
601	873-632	HEX. SOCKET ASS'Y 12MMX40L	1	INCLUD.602,603
602	873-537	SOCKET PIN	1	
603	873-187	O - RING (J1S W1516)	1	
604	873-539	HEX. SOCKET ASS'Y 13MMX40L	1	INCLUD.602,603
605	873-540	HEX. SOCKET ASS'Y 14MMX40L	1	INCLUD.602,603
606	873-536	HEX. SOCKET ASS'Y 17MMX32L	1	INCLUD.602,603
607	873-624	HEX. SOCKET ASS'Y 19MMX34L	1	INCLUD.602,603
608	873-626	HEX. SOCKET ASS'Y 21MMX36L	1	INCLUD.602,603
609	873-627	HEX. SOCKET ASS'Y 22MMX40L	1	INCLUD.602,603
610	955-138	HEX. SOCKET ASS'Y (LONG) 12MMX52L	1	INCLUD.602,603
611	955-139	HEX. SOCKET ASS'Y (LONG) 13MMX52L	1	INCLUD.602,603
612	955-140	HEX. SOCKET ASS'Y (LONG) 14MMX52L	1	INCLUD.602,603
613	955-141	HEX. SOCKET ASS'Y (LONG) 17MMX52L	1	INCLUD.602,603
614	955-149	HEX. SOCKET ASS'Y (LONG) 17MMX75L	1	INCLUD.602,603
615	955-142	HEX. SOCKET ASS'Y (LONG) 19MMX52L	1	INCLUD.602,603
616	955-150	HEX. SOCKET ASS'Y (LONG) 19MMX75L	1	INCLUD.602,603
617	955-143	HEX. SOCKET ASS'Y (LONG) 21MMX52L	1	INCLUD.602,603
618	955-151	HEX. SOCKET ASS'Y (LONG) 21MMX75L	1	INCLUD.602,603
619	991-480	HEX. SOCKET ASS'Y (LONG) 21MMX125L	1	INCLUD.602,603
620	955-144	HEX. SOCKET ASS'Y (LONG) 22MMX52L	1	INCLUD.602,603
621	991-481	FORM TIE SOCKET ASS'Y 10MMX95L	1	INCLUD.602,603
622	986-058	HEX. SOCKET FOR PLASTIC CONE 12MMX70L	1	INCLUD.602,603
623	993-659	SOCKET FOR DUCT 12MMX52L	1	
624	993-658	SOCKET ASS'Y FOR DUCT 12MMX95L	1	INCLUD.602,603,623
625	992-614	SOCKET FOR DUCT 13MMX52L	1	
626	992-613	SOCKET ASS'Y FOR DUCT 13MMX95L	1	INCLUD.602,603,625
627	992-616	SOCKET FOR DUCT 14MMX52L	1	
628	992-615	SOCKET ASS'Y FOR DUCT 14MMX95L	1	INCLUD.602,603,627
629	992-610	UNIVERSAL JOINT ASS'Y	1	INCLUD.602,603,630
630	955-153	PIN FOR UNIVERSAL JOINT	1	
631A	991-476	BIT ADAPTER ASS'Y	1	INCLUD.602,603
632	873-633	EXTENSION BAR ASS'Y (SQUARE) 12.7MM	1	INCLUD.602,603
633	930-036	GREASE (JF - 375) (50G)	1	
634		CORNER ATTACHMENT ASS'Y (MODEL EW - 14R)	1	INCLUD.635 - 650
635	955-300	HOUSING	1	
636	955-301	METAL	3	
637	955-303	BEARING RACE	2	
638	955-304	NEEDLE THRUST BEARING	2	
639	955-305	COVER	1	
640	955-306	NEEDLE BEARING (NTN BK1012)	1	
641	948-227	RETAINING RING FOR D47 HOLE	1	
642	955-307	PINION	1	
643	955-308	SLEEVE	1	
644	955-309	WASHER	1	
645	955-310	SOCKET COVER	1	
646	955-311	SOCKET	1	
647	949-662	HEX. SOCKET HD. BOLT M5X25 (10 PCS.)	6	
648	949-454	SPRING WASHER M5 (10 PCS.)	6	
649	873-187	O - RING (J1S W1516)	1	
650	873-537	SOCKET PIN	1	

*: ALTERNATIVE PARTS