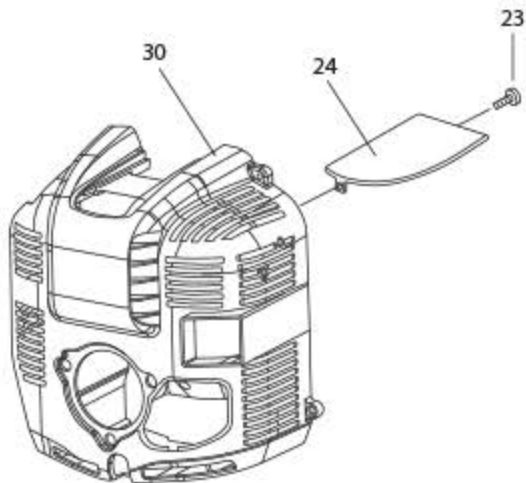
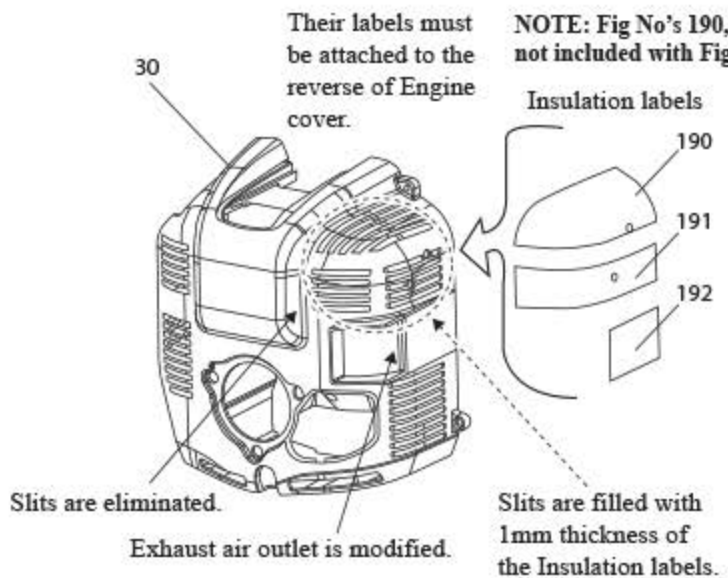
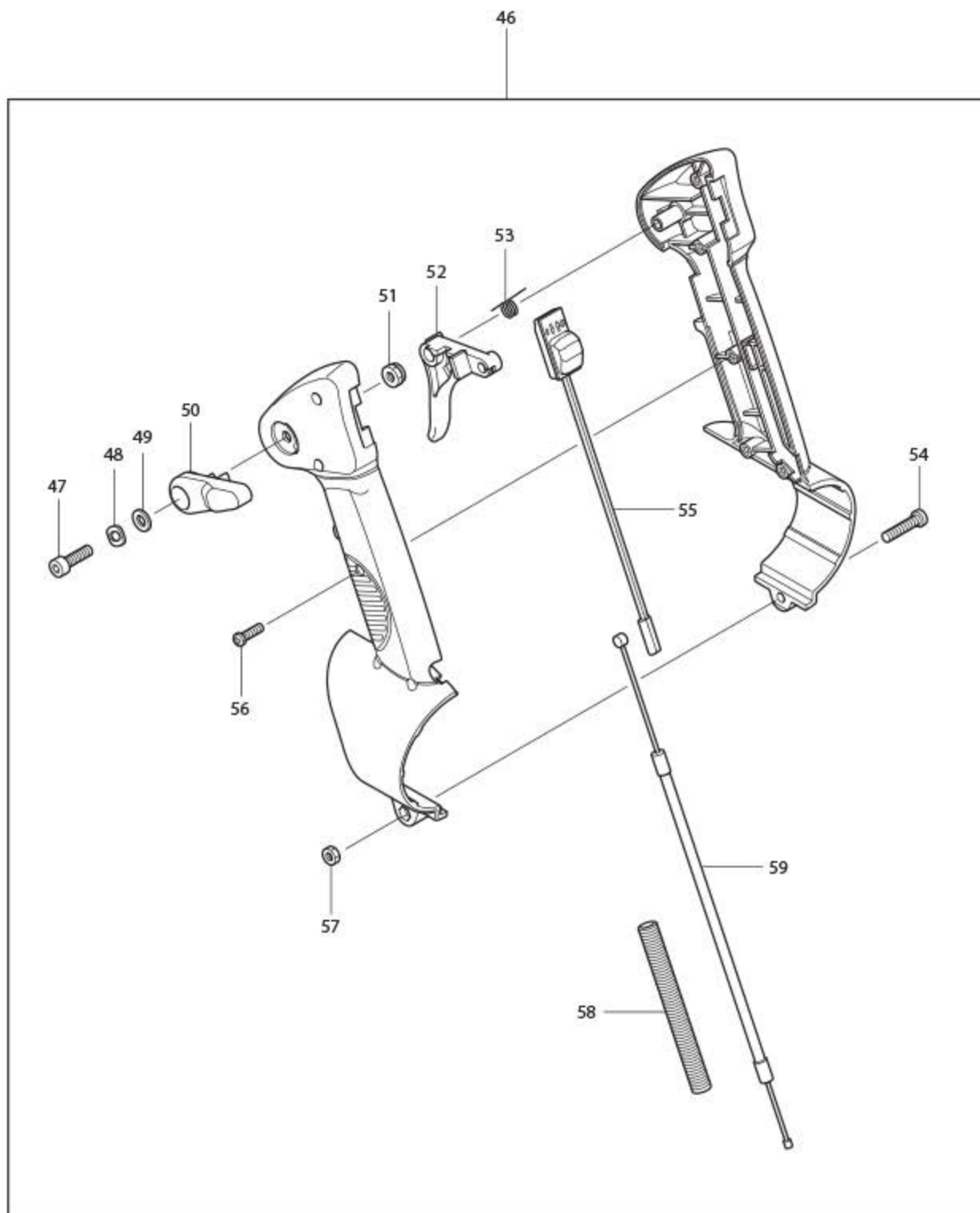


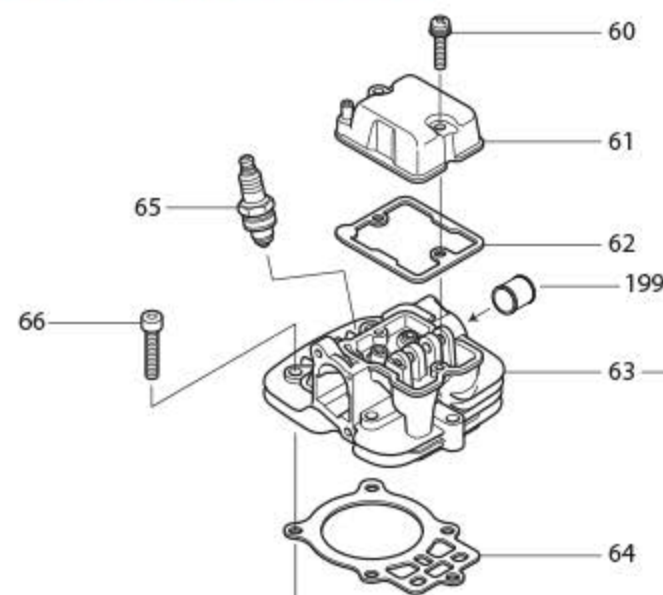
Prior to Jan 2011



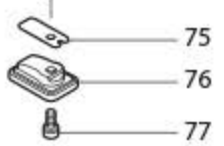
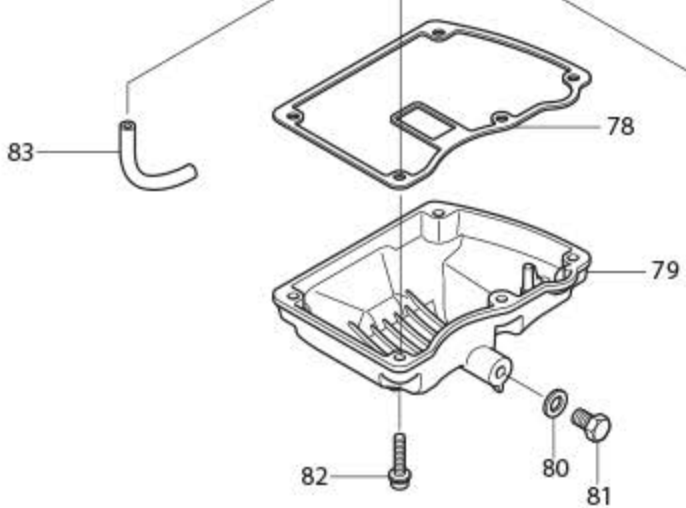
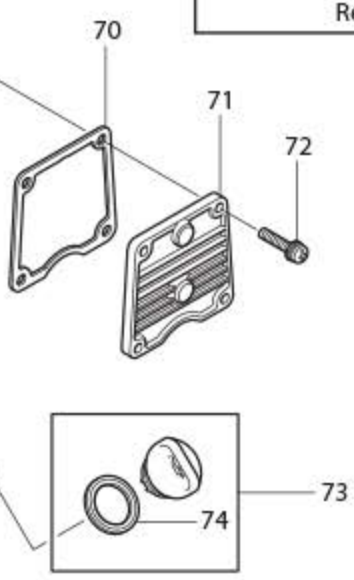
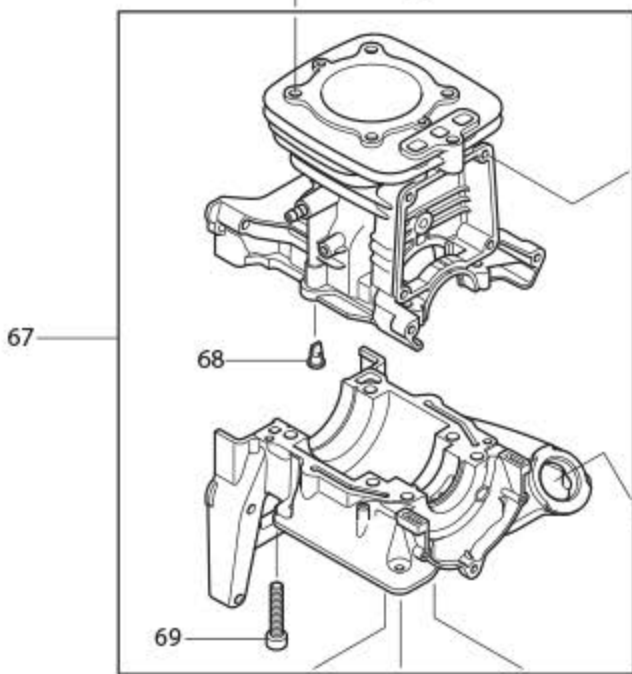
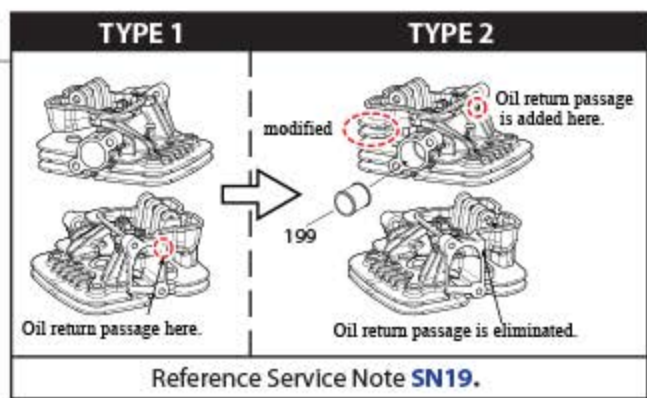
Implemented Jan 2011

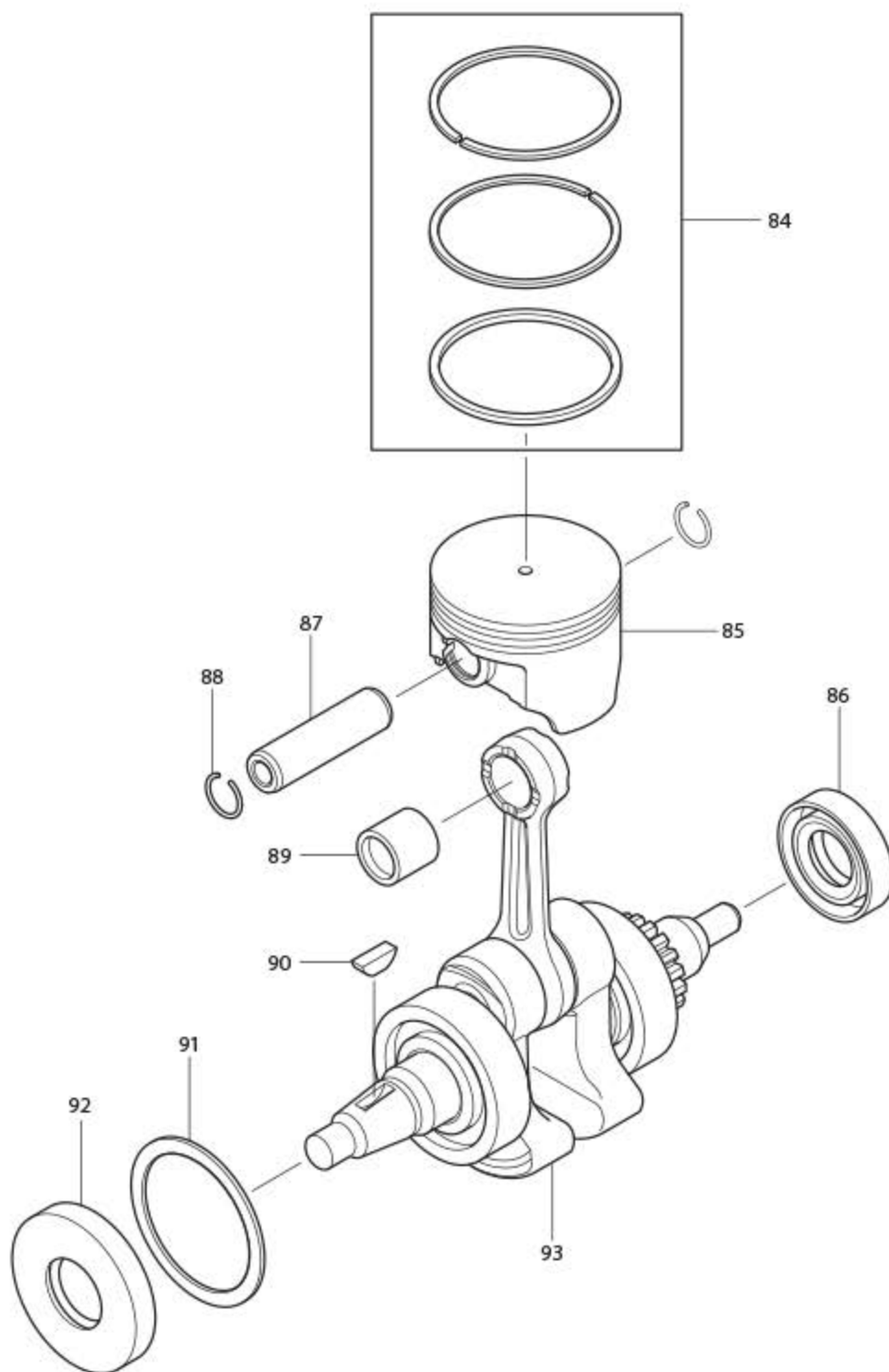






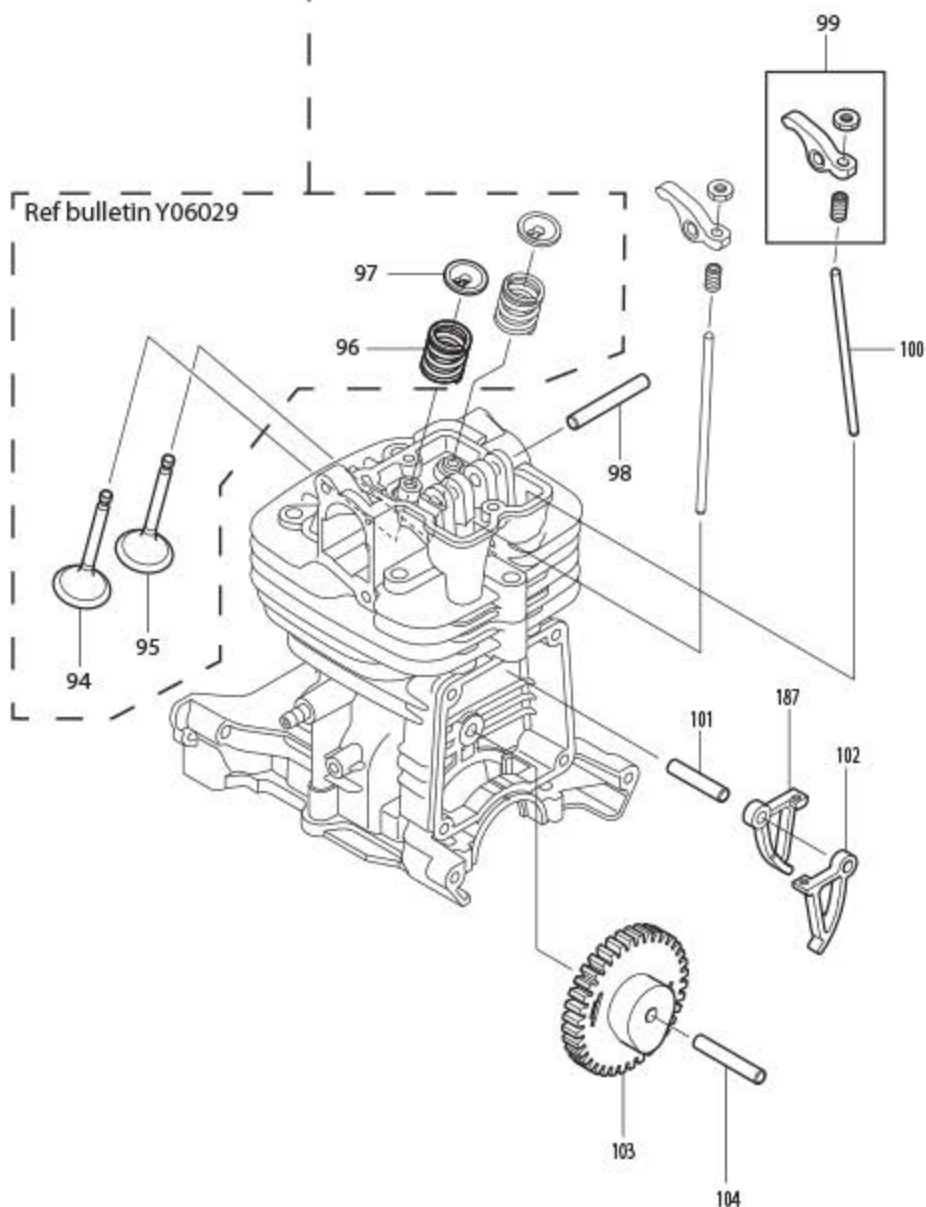
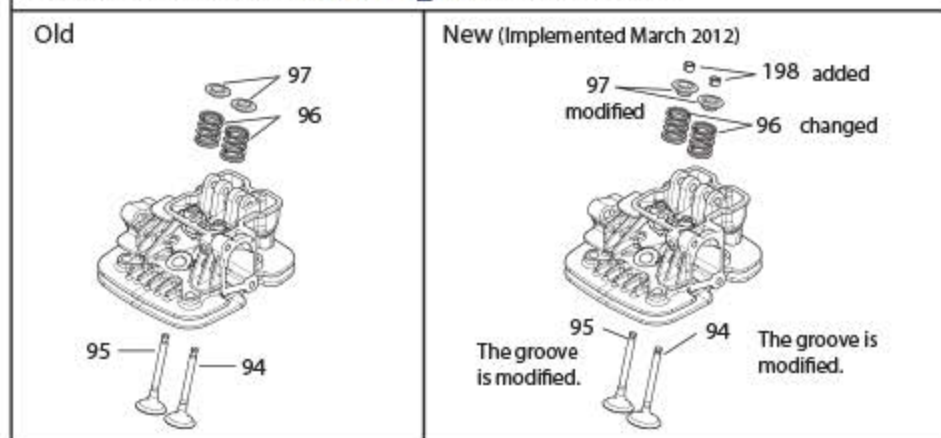
NOTICE: 199 with **TYPE 2** cylinder head only.

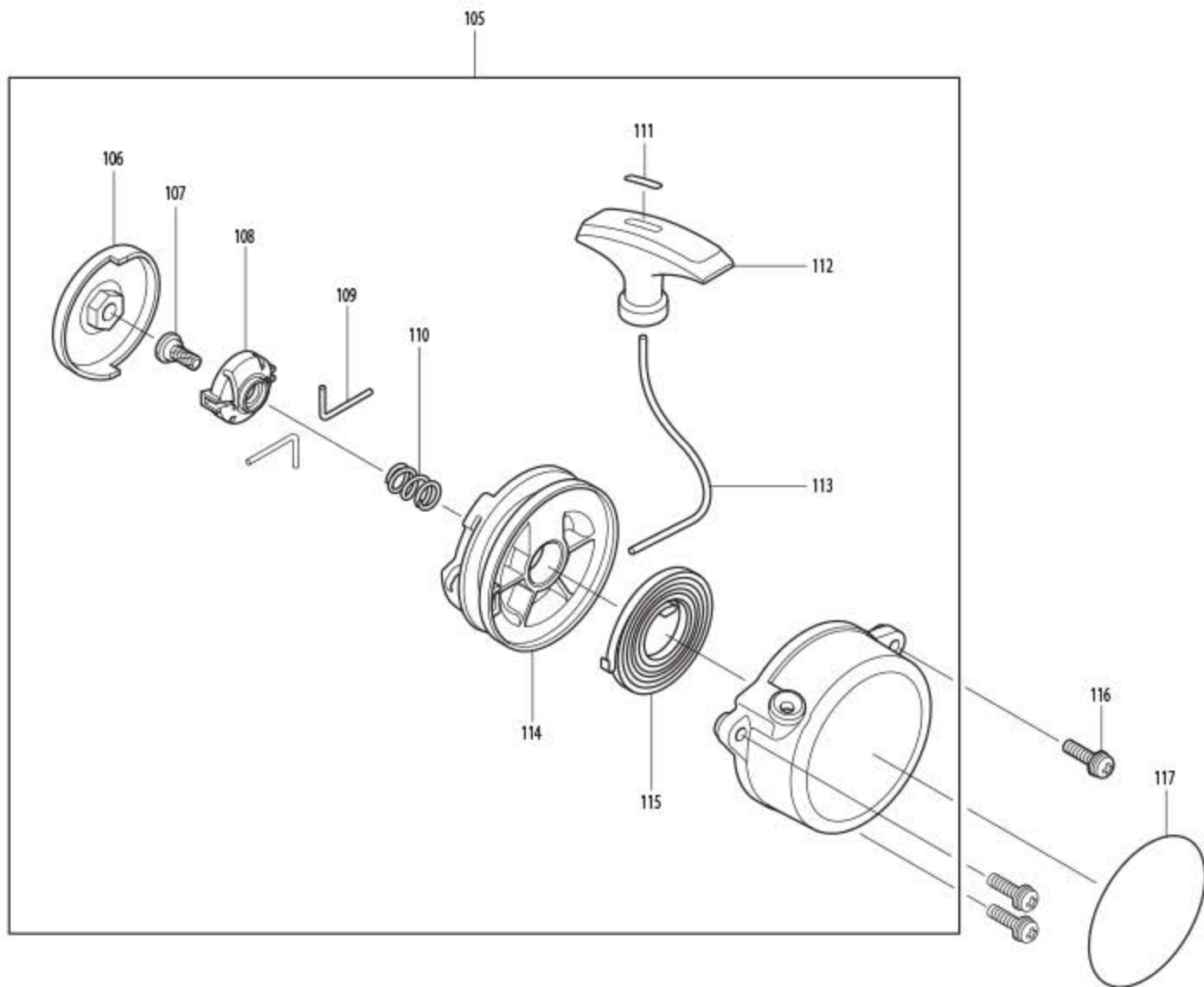


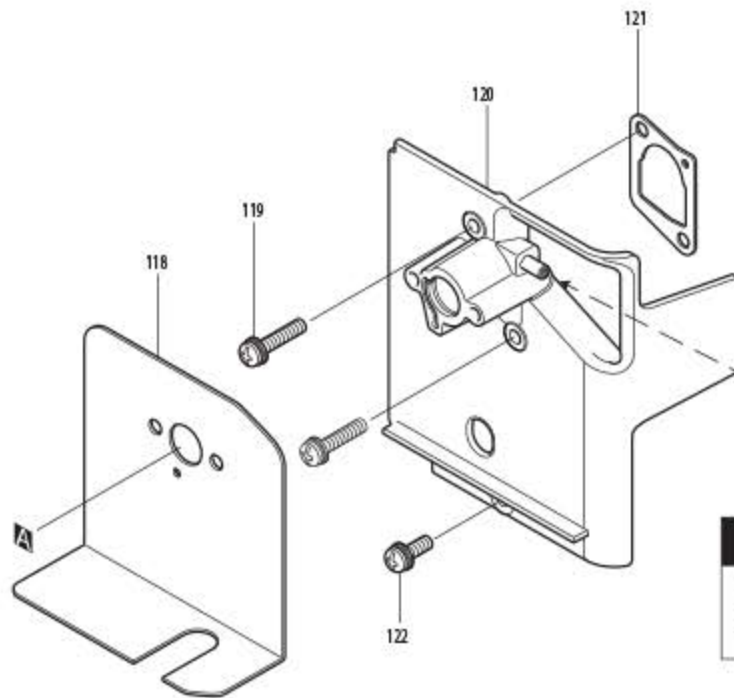


The following parts have changed. (Interchangeable as a set)

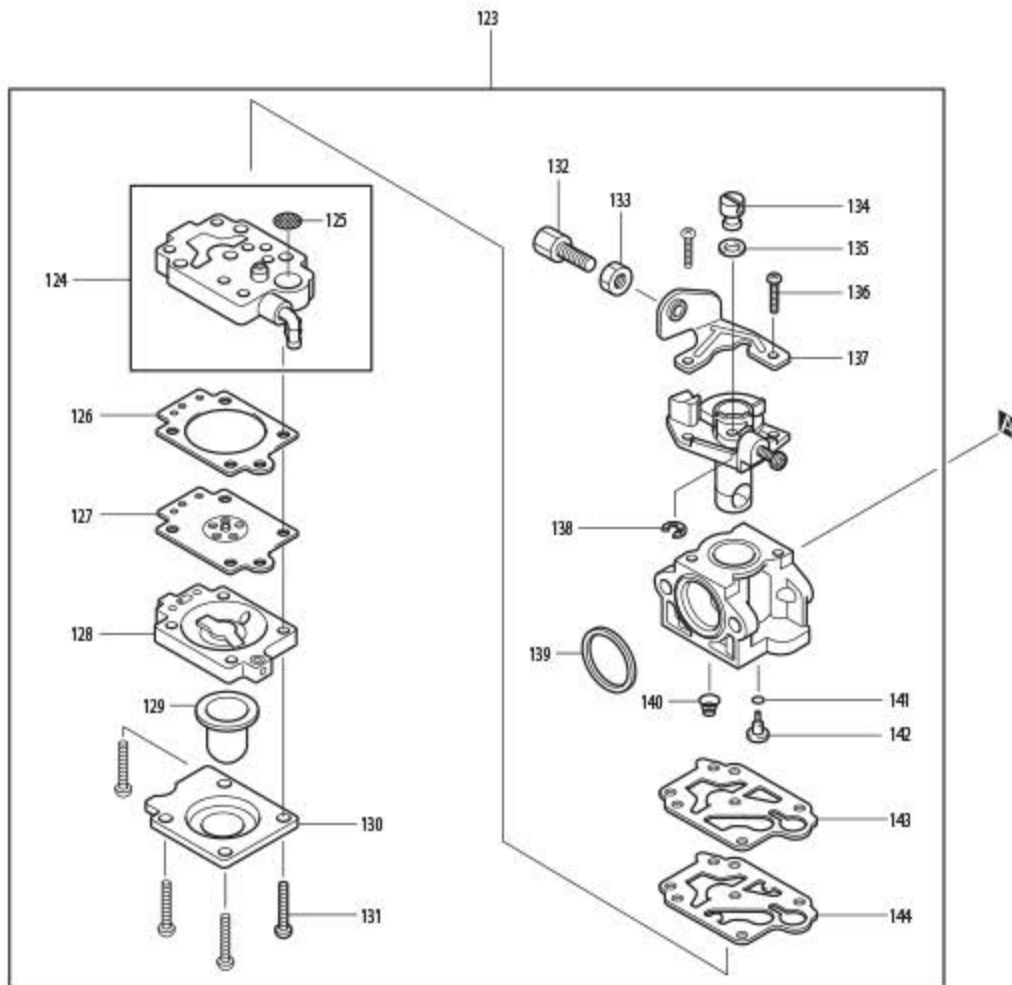
Reference Service Note [SN2012_13](#) on how to install.

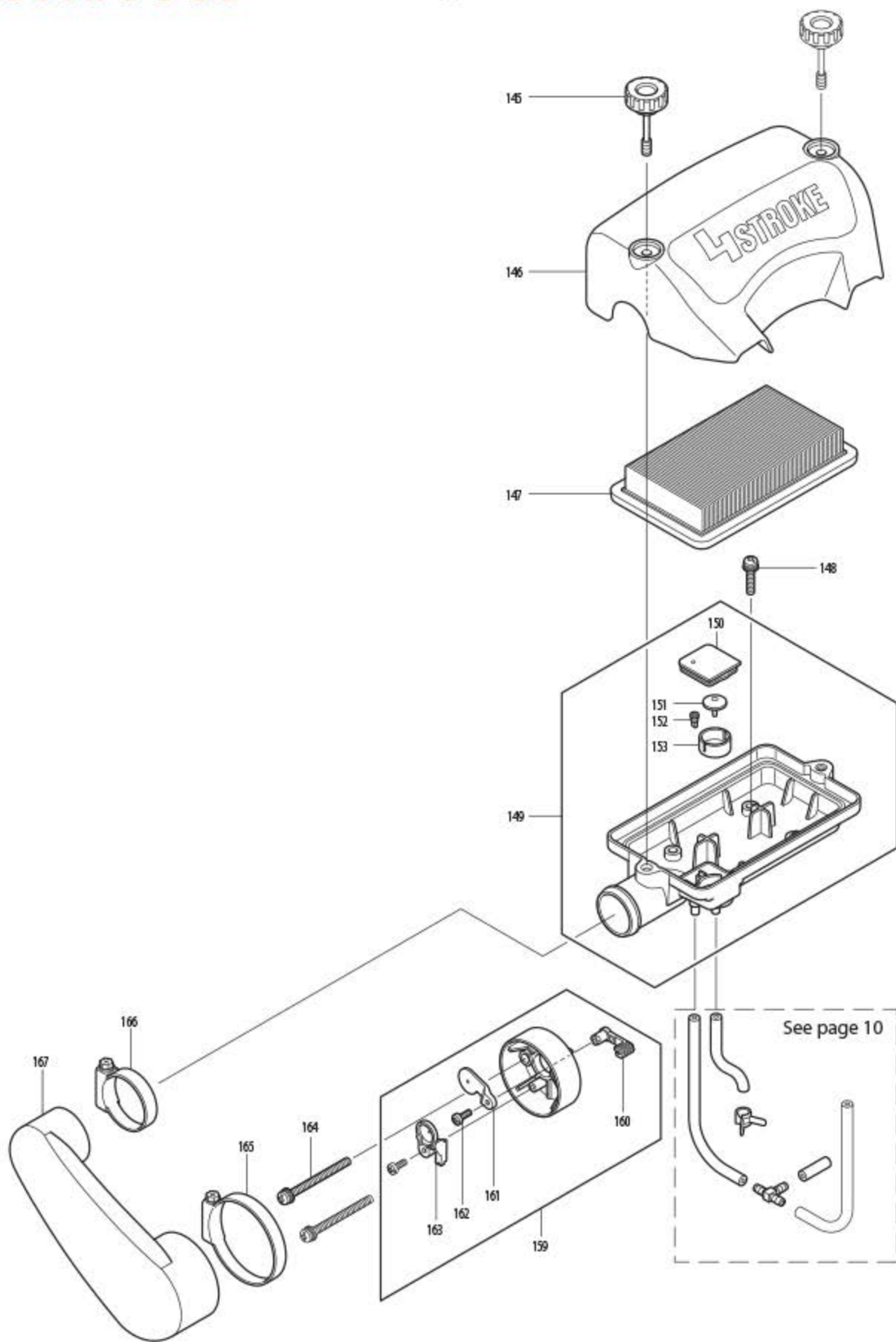






TYPE 2 Cylinder Head
NOTICE: Do not connect tube to port on insulator.

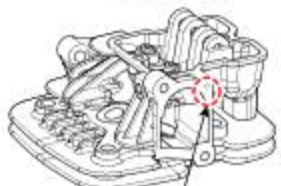




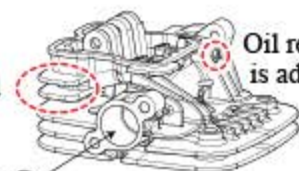
Reference Service Note
SN19.

TYPE 1

Oil return passage here.

**TYPE 2 (Page 11)**

modified



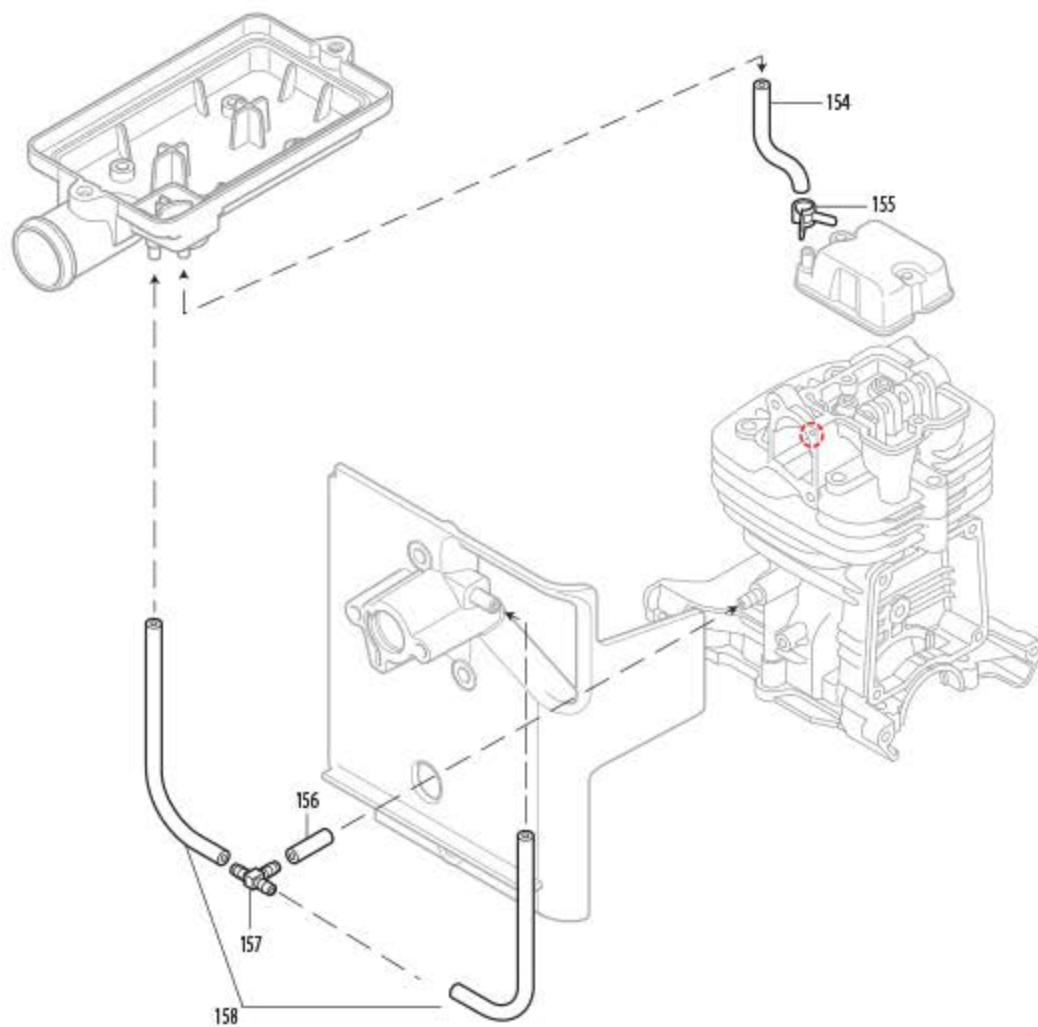
Oil return passage is added here.



(Spacer Fig No. 199)



Oil return passage is eliminated.

TYPE 1 - OIL TUBE ASSEMBLY

TYPE 2 - OIL TUBE ASSEMBLY