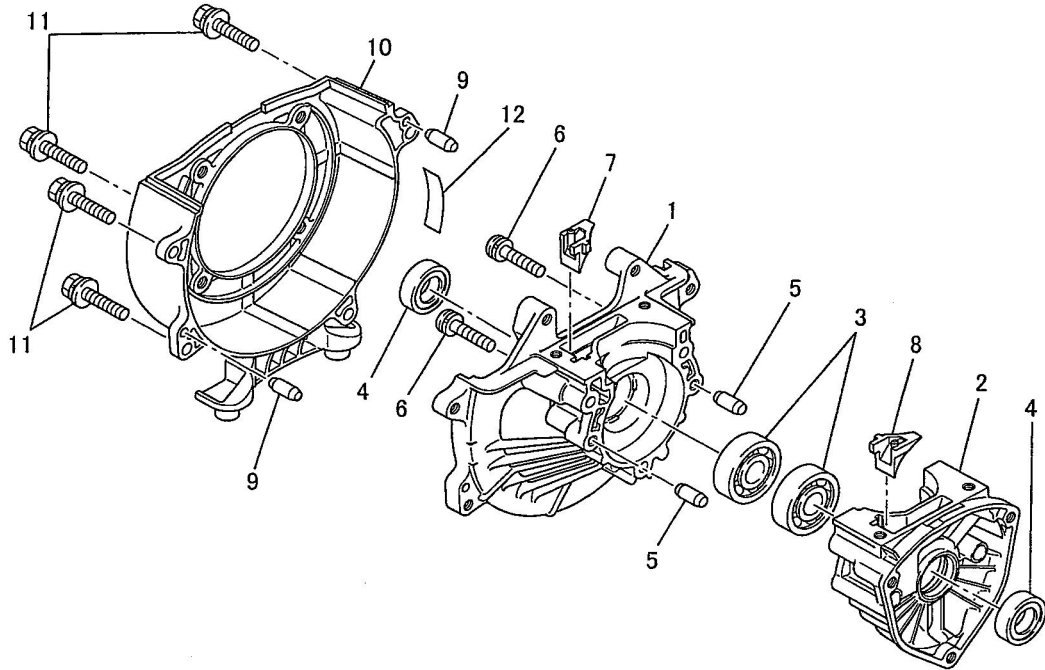


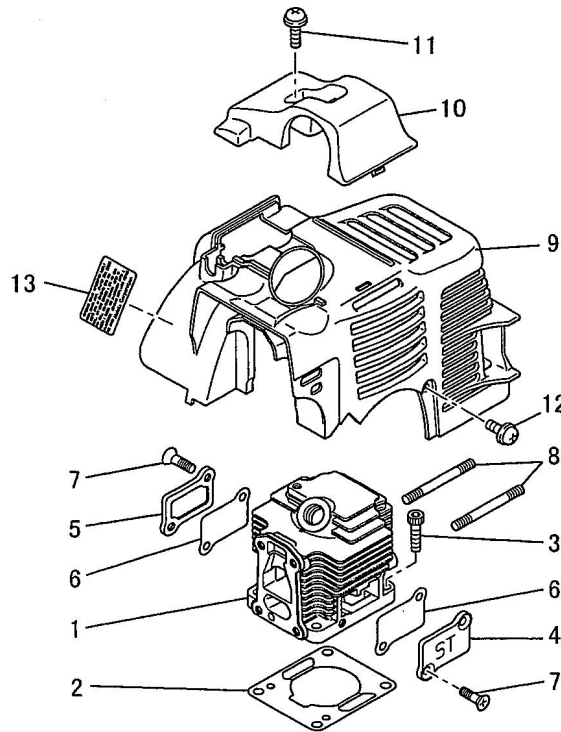


1. CRANKCASE SYSTEM



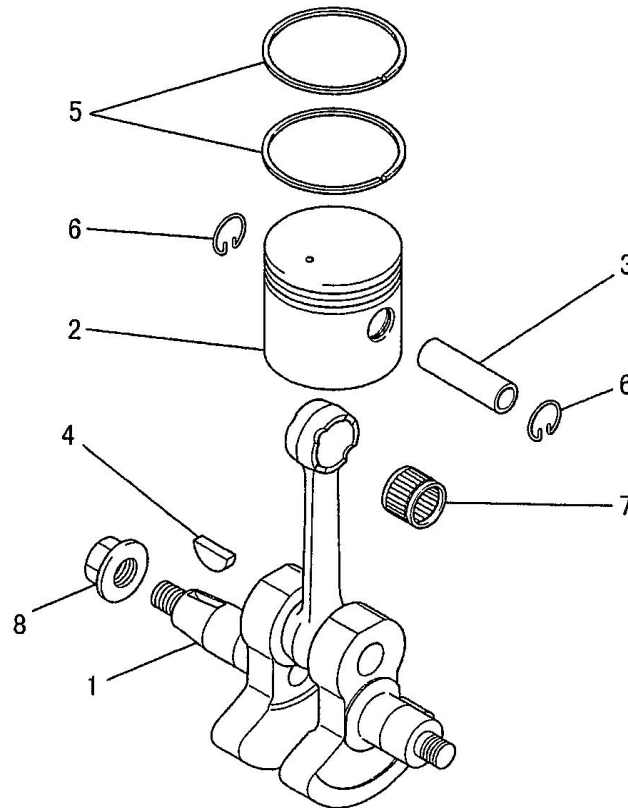
Item No.	Part No.	Qty. Used	Description	Item No.	Part No.	Qty. Used	Description
1	KB14010AA	1	CASE,DRIVE	7	KB90007AA	1	GUIDE
2	KB14011AA	1	CASE,STARTER	8	KB90008AA	1	GUIDE
3	110X60X010	2	BEARING,BALL #6001	9	KU40004AA	2	PIN,DOWEL
4	KW21005AA	2	OIL SEAL	10	KH30027DA	1	CASE,FAN
5	KU40003AA	2	PIN,DOWEL	11	FR64569F	4	BOLT&WASHER
6	KU12028AA	3	SCREW&WASHER	12	KW56056AA	1	LABEL

2. CYLINDER, TOP COVER SYSTEM



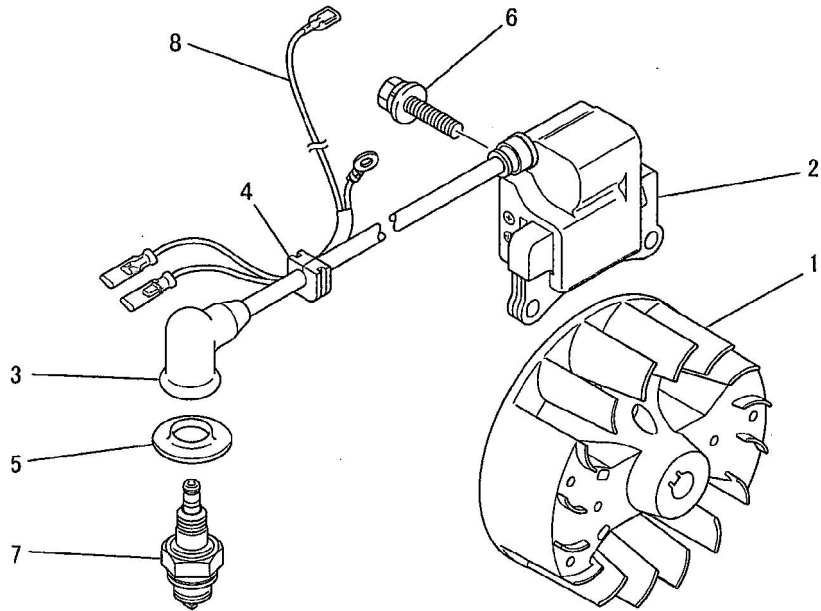
Item No.	Part No.	Qty. Used	Description	Item No.	Part No.	Qty. Used	Description
1	KC13023AA	1	CYLINDER	7	KU12031AA	4	SCREW,CTSK-CRS
2	KW32016AA	1	GASKET,CYLINDER	8	151B05X050	2	BOLT,STUD
3	121C05X020	4	BOLT,SCH	9	KH40096DA	1	COVER,TOP
4	KC90016AA	1	COVER	10	KH70021AA	1	GUARD,PLUG
5	KC90017AA	1	COVER	11	71D05X020K	1	SCREW & WASHER
6	KW39079AA	2	GASKET	12	KU12018CA	1	SCREW & WASHER
				13	KW56248AA	1	LABEL,EMISSION

3. CRANKSHAFT & PISTON SYSTEM



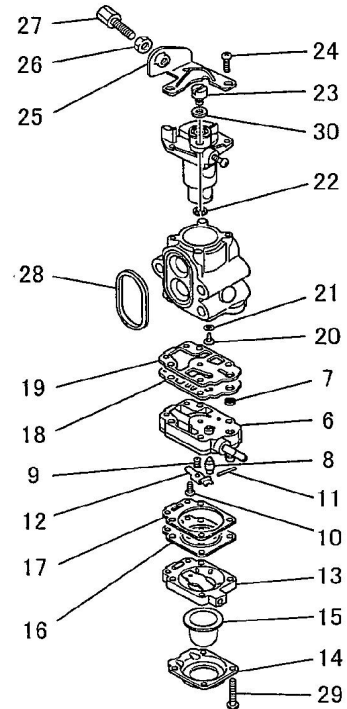
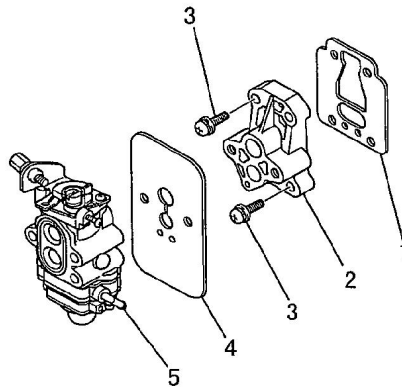
Item No.	Part No.	Qty. Used	Description	Item No.	Part No.	Qty. Used	Description
1	KD01036AA	1	CRANKSHAFT ASSY	5	FR66815	2	RING, TOP
2	KP13016AA	1	PISTON	6	BG03488	2	CLIP, PISTON PIN
3	KP52002AA	1	PIN, PISTON	7	KW12011AA	1	BEARING, NEEDLE
4	430B03X013	1	KEY, WOODRUFF	8	ZZ70028C	1	NUT, CONICAL SPG

4. FLYWHEEL MAGNETO SYSTEM



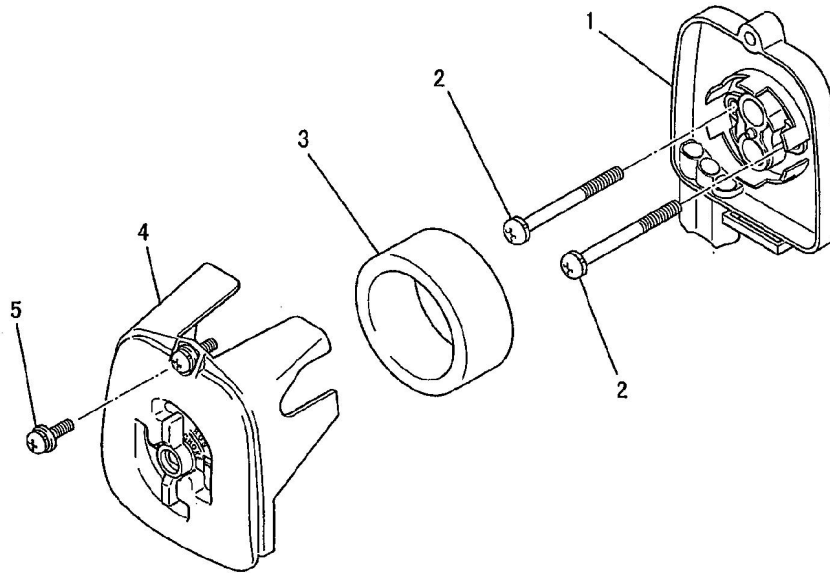
Item No.	Part No.	Qty. Used	Description	Item No.	Part No.	Qty. Used	Description
1	KE11029AA	1	ROTOR	5	FR66751	1	CAP,PLUG
2	KE04034AA	1	COIL,IGNITION (INC.FIG.3)	6	FR64569A	2	BOLT&WASHER
3	FR64961	1	CAP,PLUG	7	KE41011AA	1	PLUG,SPARK NGK BPMR8
4	KE90001BA	1	GROMMET	8	KE90137AA	1	WIRE,LEAD

5. CARBURETOR SYSTEM



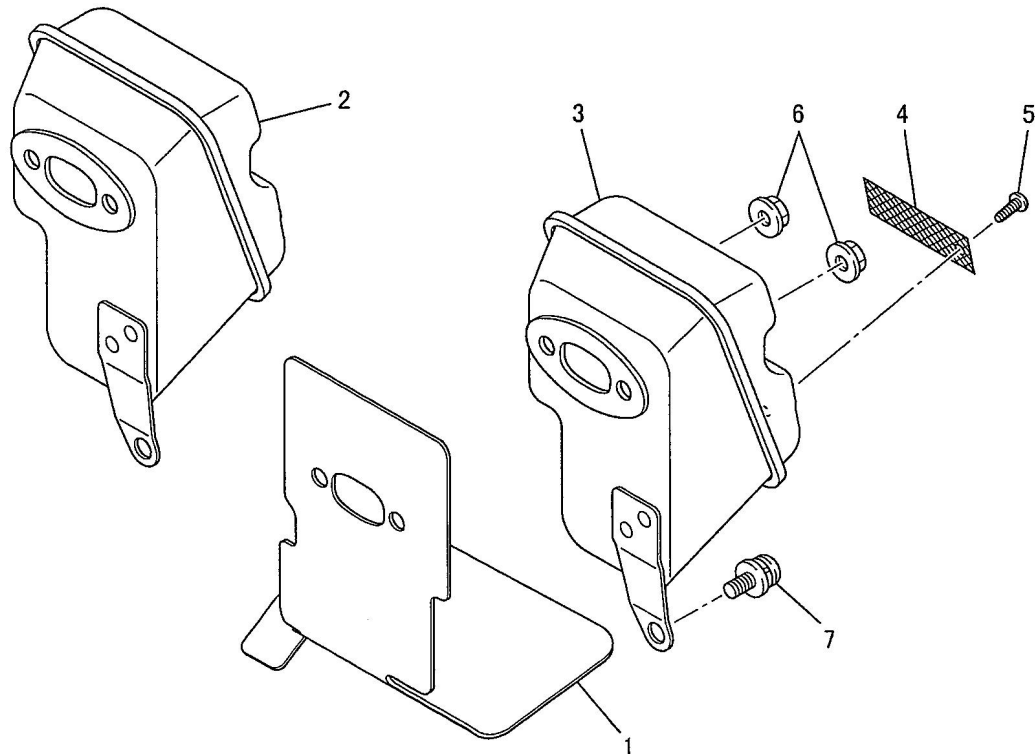
Item No.	Part No.	Qty. Used	Description	Item No.	Part No.	Qty. Used	Description
1	KW34066AA	1	GASKET,INSULATOR	16	21028AA006	1	DIAPHRAGM
2	KK31031AA	1	INSULATOR	17	22007AA012	1	GASKET
3	FR64960E	4	SCREW & WASHER	18	21017AA005	1	DIAPHRAGM
4	KW39091AA	1	GASKET,CARBURETOR	19	21028AA009	1	GASKET
5	KK21046AA	1	CARBURETOR(D) (INC.FIG. 6-30)	20	22057CA010	1	JET
6	22016AA002	1	BODY,PUMP (INC.FIG.7-12)	21	21017AA002	1	O-RING
7	21009AA002	1	SCREEN	22	66652XX032	1	CLIP
8	22007AA003	1	VALVE,NEEDLE	23	21024AA022	1	HOLDER,WIRE
9	23002AA005	1	SPRING	24	21017AA021	2	SCREW
10	22007AA005	1	SCREW	25	22023AA014	1	BRACKET
11	66652XX027	1	PIN	26	21017AA027	1	NUT
12	66652XX029	1	LEVER	27	22008AA016	1	SCREW,ADJUST
13	22007AA006	1	BODY	28	21028AA019	1	PACKING
14	22007AA007	1	COVER	29	22007AA019	4	SCREW
15	21017AA013	1	PRIMER PUMP ASSY	30	22004EA024	1	WASHER

6. AIR CLEANER SYSTEM



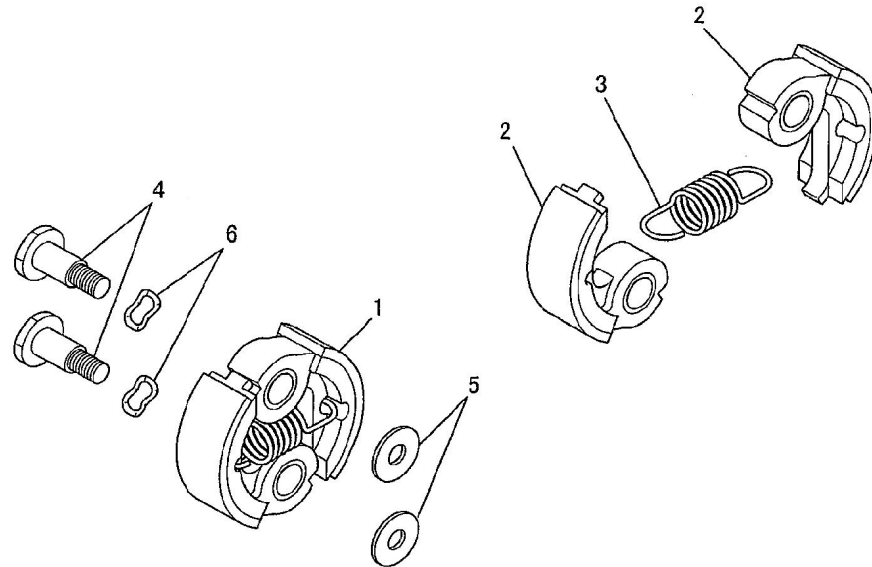
Item No.	Part No.	Qty. Used	Description	Item No.	Part No.	Qty. Used	Description
1	KA11025AA	1	CASE,CLEANER	3	KA40080AA	1	ELEMENT,CLEANER
2	71D05X050	2	SCREW&WASHER	4	KA02032AA	1	COVER,CLEANER (INC.FIG.5)
				5	FR64960D	1	SCREW&WASHER
05-05				6			BCM3310

7. MUFFLER SYSTEM



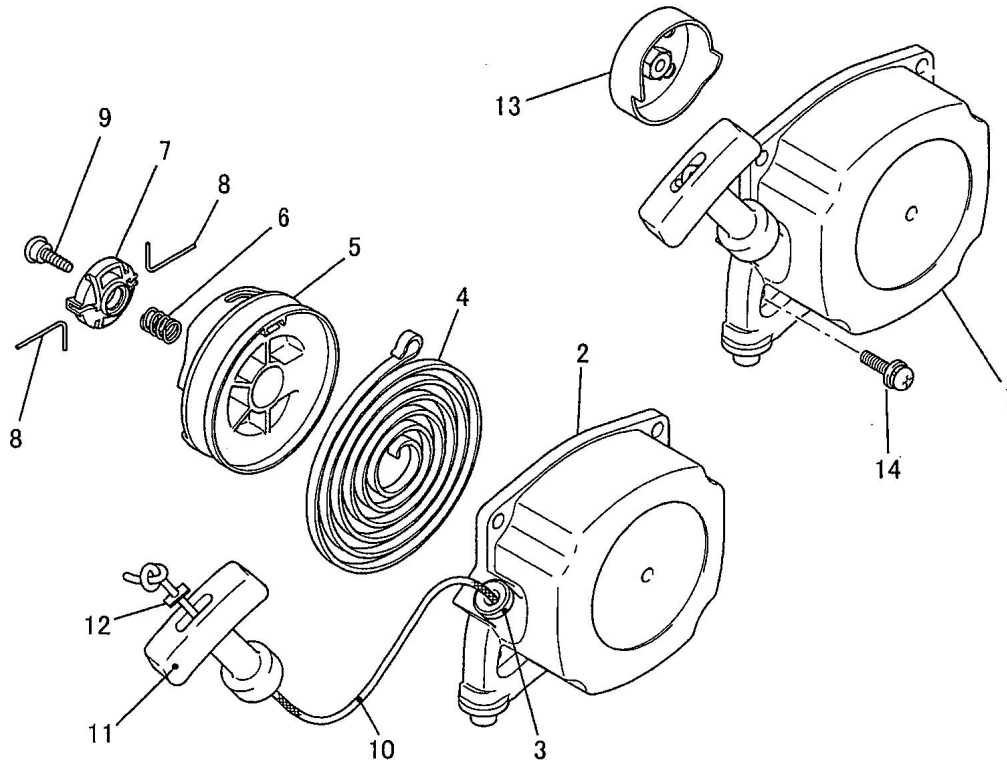
Item No.	Part No.	Qty. Used	Description	Item No.	Part No.	Qty. Used	Description
1	KM70062AA	1	GASKET,MUFFLER	4	KM90179AA	1	SPARK ARRESTER
2	KM01082AA	1	MUFFLER ASSY (INC.FIG. 3-5)	5	006D03X006	1	SCREW
3	KM01079AA	1	MUFFLER	6	FR67566	2	NUT,FLANGE
				7	71D05X012K	1	SCREW & WASHER

8. CLUTCH SYSTEM



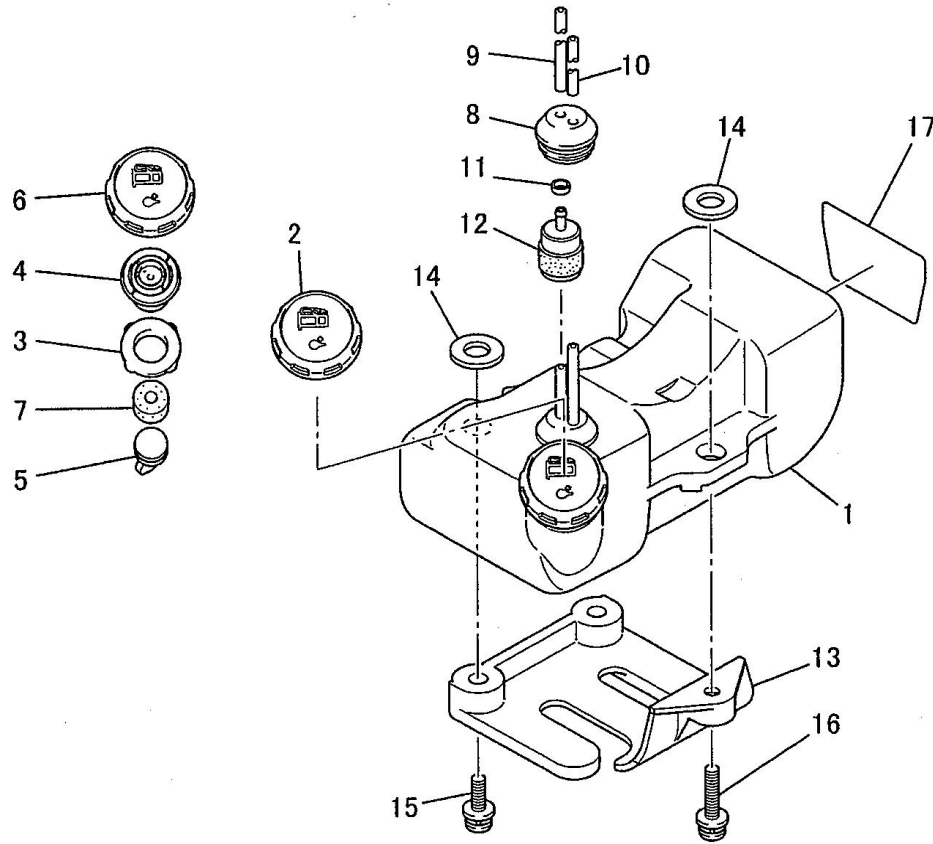
Item No.	Part No.	Qty. Used	Description	Item No.	Part No.	Qty. Used	Description
1	FR66843A	1	CLUTCH (INC. FIG.2,3)	4	KT14001AA	2	BOLT,CLUTCH
2	KT12002BA	2	SHOE,CLUTCH	5	FR67347A	2	WASHER
3	KU80010AA	1	SPRING	6	KU36001DA	2	WASHER

9. RECOIL STARTER SYSTEM



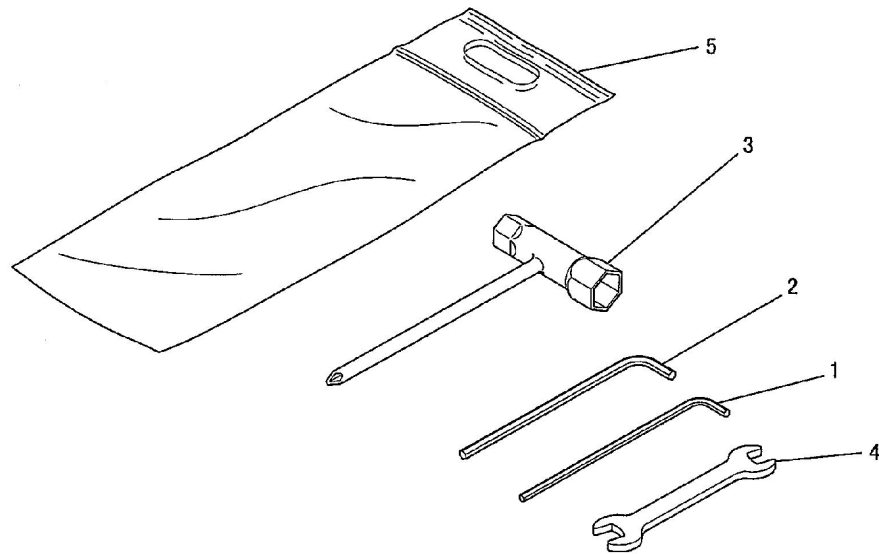
Item No.	Part No.	Qty. Used	Description	Item No.	Part No.	Qty. Used	Description
1	KS20094AB	1	RECOIL STARTER (INC.FIG.2-12)	8	20094AA009	2	LEVER
2	20094AB001	1	RECOIL STARTER (INC.FIG.3)	9	20094AA010	1	SCREW
3	20021AA006	1	GUIDE	10	20094AB012	1	ROPE,STARTER
4	20094AA005	1	SPRING,SPIRAL	11	66881XX011	1	KNOB,STARTER
5	20094AA006	1	REEL	12	20097AA010	1	STOPPER
6	20094AA007	1	SPRING	13	KS30047AA	1	PULLEY,STARTER
7	20094AA008	1	SPACER	14	KU12018CA	3	SCREW & WASHER

10. FUEL TANK SYSTEM



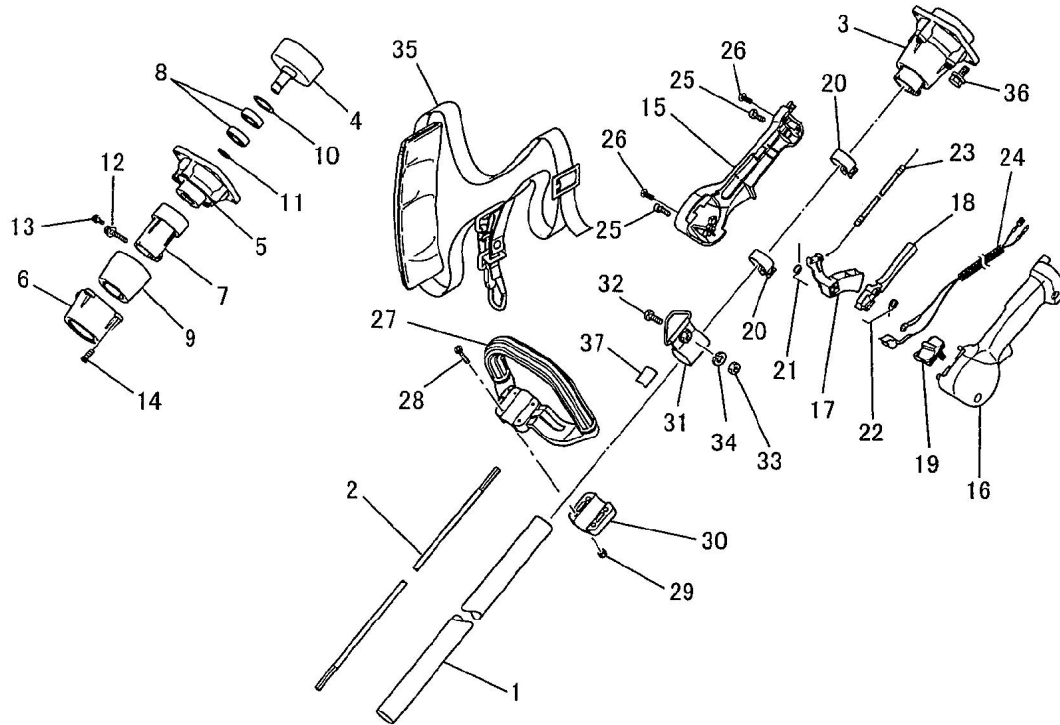
Item No.	Part No.	Qty. Used	Description	Item No.	Part No.	Qty. Used	Description
1	KF01080AA	1	FUEL TANK ASSY (INC.FIG.2-12)	10	KF70031BA	1	TUBE,FUEL L=75
2	KF05019AA	1	TANK CAP ASSY (INC.FIG.3-7)	11	01033AA007	1	BUSH
3	KF21012AA	1	CAP,FUEL TANK	12	KF40004AA	1	FILTER,FUEL
4	KF90155AA	1	PACKING	13	KT30020AA	1	STAND,ENGINE
5	KF09011AA	1	VALVE,BREATHER	14	KF80008AA	3	PAD
6	KF90050AB	1	CAP	15	KU12018BA	2	SCREW&WASHER
7	KF90154AA	1	SPONGE	16	KU12018DA	1	SCREW&WASHER
8	KF90048AA	1	PLUG	17	KW56181AA	1	LABEL
9	KF70011HA	1	TUBE,FUEL L=220				

12. TOOL SET



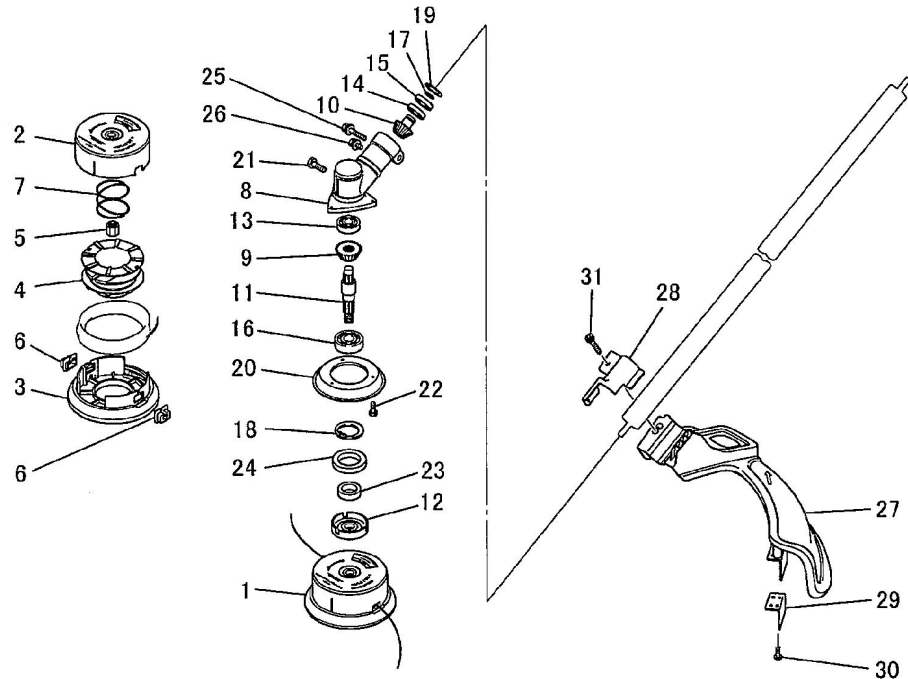
Item No.	Part No.	Qty. Used	Description	Item No.	Part No.	Qty. Used	Description	
1	01015AA001	1	WRENCH KEY	4	01015AA004	1	SPANNER	
2	01015AA002	1	WRENCH KEY	5	01015AA005	1	BAG,TOOL	
3	01015BA003	1	SPANNER,BOX					
06-05				11				BCM3310

16. HANDLE & CONTROL SYSTEM



Item No.	Part No.	Qty. Used	Description	Item No.	Part No.	Qty. Used	Description
1	50109AA001	1	PIPE	19	50602AA007	1	SWITCH
2	50104AA002	1	SHAFT	20	50602AA008	2	CLAMP
3	KQ50509AA	1	CLUTCH CASE ASSY (INC.FIG. 4-14)	21	50601AA009	1	SPRING
4	50504AA001	1	CLUTCH DRUM	22	50601AA010	1	SPRING
5	50508AA002	1	CASE,CLUTCH	23	50601AA011	1	WIRE,THROTTLE
6	50508AA003	1	CASE,CLUTCH	24	50601AA013	1	WIRE,LEAD
7	50504AA004	1	CASE,CLUTCH	25	50501AA008	2	BOLT
8	50501AA003	2	BEARING,BALL	26	50601AA015	4	TAP-SCREW
9	50504AA006	1	RUBBER CUSHION	27	50702AA001	1	HANDLE
10	50501AA005	1	SNAP RING	28	50701AA004	4	BOLT
11	50501AA006	1	SNAP RING	29	50401AA006	4	NUT
12	50501AA007	1	BOLT	30	50703AA006	1	CAP
13	50501AA008	1	BOLT	31	KQ50803AA	1	HOLDER (INC.FIG.32-34)
14	50504AA007	4	BOLT	32	50801AA002	1	BOLT
15	50602AA001	1	CASE	33	50801AA003	1	NUT
16	50602AA003	1	CASE	34	50801AA004	1	WASHER,SPG
17	50602AA005	1	LEVER,THROTTLE	35	KQ50901AA	1	BAND,SHOULDER
18	50602AA006	1	LEVER	36	50402AA005	4	BOLT
				37	50101AA004	1	LABEL

17. GEAR CASE



Item No.	Part No.	Qty. Used	Description	Item No.	Part No.	Qty. Used	Description
1	KQ50203AA	1	STRING HEAD (INC.FIG.2-7)	17	50302AA010	1	SNAP RING
2	50203AA001	1	CASE	18	50302AA011	1	SNAP RING
3	50203AA002	1	COVER	19	50304AA010	1	SNAP RING
4	50203AA003	1	HOLDER	20	50304AA013	1	COVER
5	50203AA004	1	NUT	21	50302AA012	1	BOLT
6	50201AA005	2	GUIDE	22	50304AA015	3	BOLT
7	50203AA007	1	SPRING	23	50304AA016	1	SPACER
8	50304AA001	1	CASE	24	50304AA017	1	OIL SEAL
9	50304AA002	1	GEAR	25	50304AA018	1	BOLT
10	50304AA003	1	GEAR	26	50504AA007	1	BOLT
11	50304AA004	1	SHAFT	27	50408AA001	1	GUARD
12	50304AA005	1	HOLDER	28	50403AA002	1	BRACKET
13	50304AA006	1	BEARING,BALL	29	50402AA003	1	CUTTER
14	50304AA007	1	BEARING,BALL	30	50601AA015	3	TAP-SCREW
15	50304AA008	1	BEARING,BALL	31	50402AA005	1	BOLT
16	50304AA009	1	BEARING,BALL				