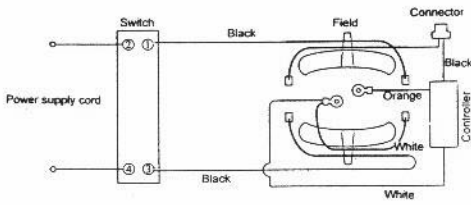


Wiring Diagram



IMPORTANT! – To assure product SAFETY and RELIABILITY, repairs, maintenance or adjustments should be performed by MAKITA Service Centers, or other qualified service organizations. Always use MAKITA replacement parts.

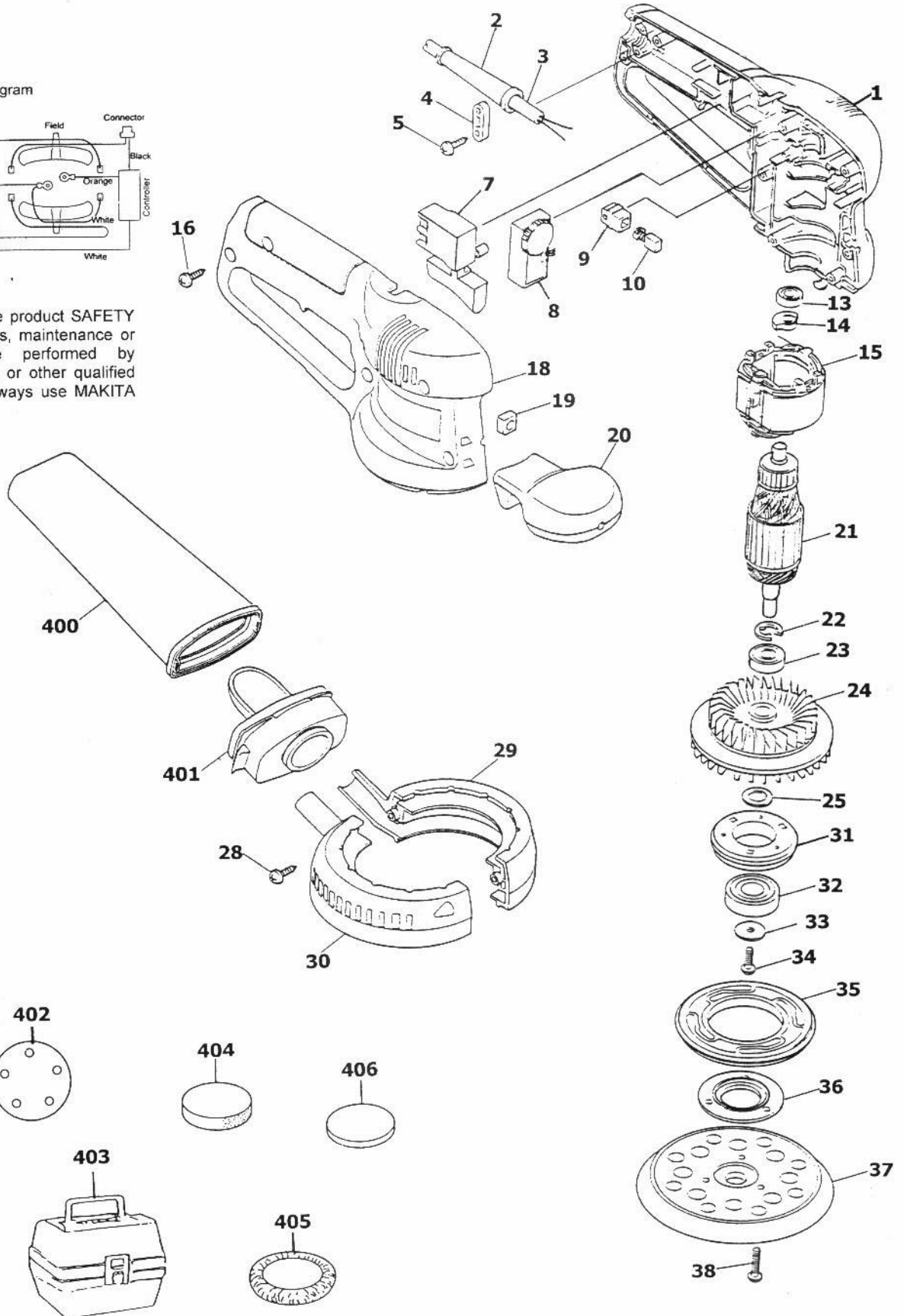


Fig.	Part No.	Qty. Used	Description	Fig.	Part No.	Qty. Used	Description
1	183108-6	1	HOUSING SET (INCL. 2 EA. RUBBER PIN 4, 263002-9; FIG. 18)	23	210020-8	1	BALL BEARING 6000DDU
2	682502-4	1	CORD GUARD 8-85	24	241896-2	1	FAN 88
3	664013-1	1	POWER SUPPLY CORD 2X18X8	25	253315-6	1	THIN WASHER 15
4	687052-4	1	STRAIN RELIEF	28	265995-6	2	TAPPING SCREW 4X18
5	265995-6	2	TAPPING SCREW 4X18	29	183088-6	1	SKIRT SET (INCL. FIG. 30)
7	651286-5	1	SWITCH	30	183088-6	1	SKIRT SET (INCL. FIG. 29)
8	631351-6	1	CONTROLLER	31	316835-2	1	BEARING OX
9	643552-4	2	BRUSH HOLDER 5-8	32	211227-9	1	BALL BEARING 6002DDW
10	191956-9	1	CARBON BRUSH CB-75	33	253739-6	1	FLAT WASHER 4
13	210017-7	1	BALL BEARING 607DDW	34	911116-5	1	PAN HEAD SCREW M4X12
14	313080-0	1	COUNTER WEIGHT	35	416062-2	1	BRAKE RING
15	633431-4	1	FIELD 115V	36	316834-4	1	BEARING OX COVER
16	265995-6	8	TAPPING SCREW 4X18	37	743051-7	1	BASE
18	183108-6	1	HOUSING SET (INCL. 2 EA. RUBBER PIN 4, 263002-9; FIG. 1)	38	911128-8	3	PAN HEAD SCREW M4X16
19	252045-6	1	SQUARE NUT M5	ACCESSORIES			
20	168324-1	1	FRONT GRIP	400	151517-7	1	DUST BAG COMPLETE
21	517231-9	1	ARMATURE ASS'Y 115V (INCL. FIG. 13, 14, 22, 23)	401	151518-5	1	DUST NOZZLE COMPLETE
22	961015-1	1	STOP RING E-9	402	794520-1	1	ABRASIVE DISC #120
				403	824562-2	1	PLASTIC TOOL CASE
				404	794558-6	1	SPONGE PAD 125
				405	794560-9	1	WOOL PAD 140
				406	794559-4	1	FELT PAD 25