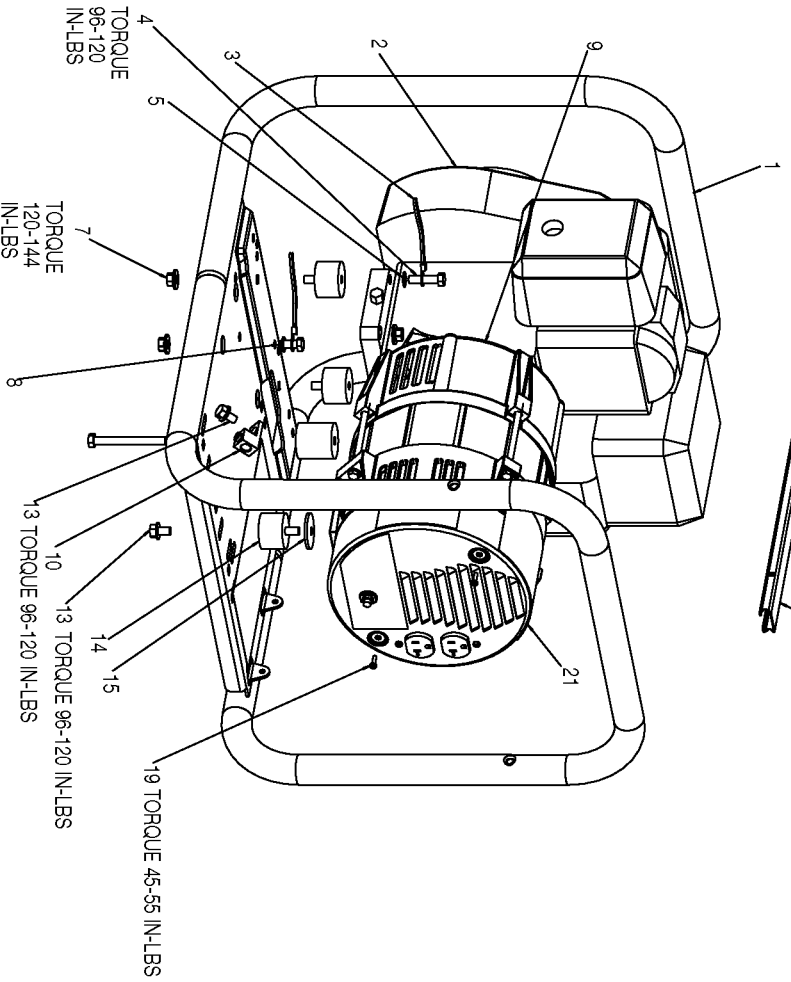




COMPONENT OF SHOWN OUT  
1 OF PLACE FOR CLARITY



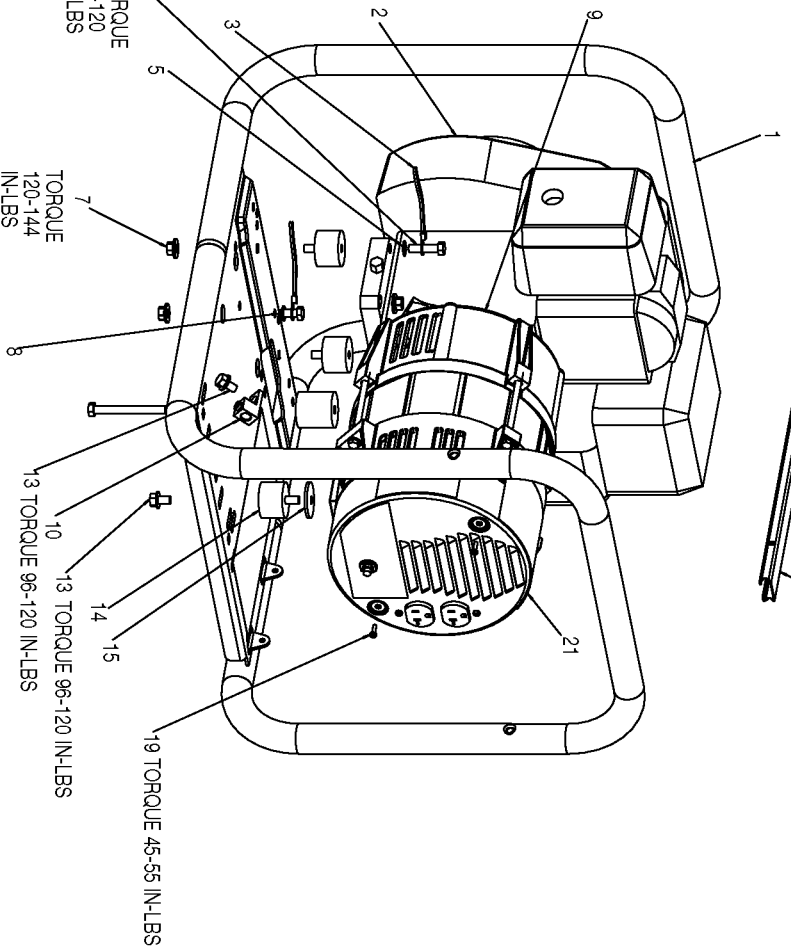
4  
TORQUE  
96-120  
IN-LBS

7  
TORQUE  
120-144  
IN-LBS

13 TORQUE 96-120 IN-LBS

14  
TORQUE 96-120 IN-LBS

15  
TORQUE 45-55 IN-LBS



## Parts List for CH250 Type 1

| Item Number | Part Number | Description          | Qty Required |
|-------------|-------------|----------------------|--------------|
| 2           | 000000-00   | No Longer Available  | 1            |
| 3           | GS-0118     | STRAP GROUND         | 1            |
| 4           | 5140123-06  | SCREW                | 10           |
| 5           | N017772     | LOCK WASHER          | 10           |
| 7           | SSF-8150    | NUT .312-18 UNC HEX  | 10           |
| 8           | D22311      | SCREW .313-18X.875 U | 10           |
| 9           | GS-0872     | RESISTOR 10K OHM     | 2            |
| 9           | GS-0871     | DIODE 10AMP 1000V    | 2            |
| 9           | Z-D26572    | ASSY GENERATOR 2.759 | 1            |
| 10          | GS-0117     | LUG GROUND           | 1            |
| 13          | 000000-00   | No Longer Available  | 10           |
| 14          | GS-0033     | ISOLATOR VIBRATION 1 | 4            |
| 15          | SSN-1014-ZN | WASHER .339/.344 ID  | 10           |
| 19          | SSF-553-1   | SCREW #10-24X.563 TH | 10           |
| 101         | D21508      | BREAKER CIRCUIT      | 1            |
| 102         | GS-0019     | RECEPTACLE 120V 20A  | 1            |
| 856         | 000000-00   | No Longer Available  | 1            |
| 856         | 285800-98   | SPARK PLUG           | 1            |

COPYRIGHT© 2005. All Rights Reserved.

Parts list, pricing, and availability subject to change. Please visit [www.dewaltservicenet.com](http://www.dewaltservicenet.com) for current parts information.