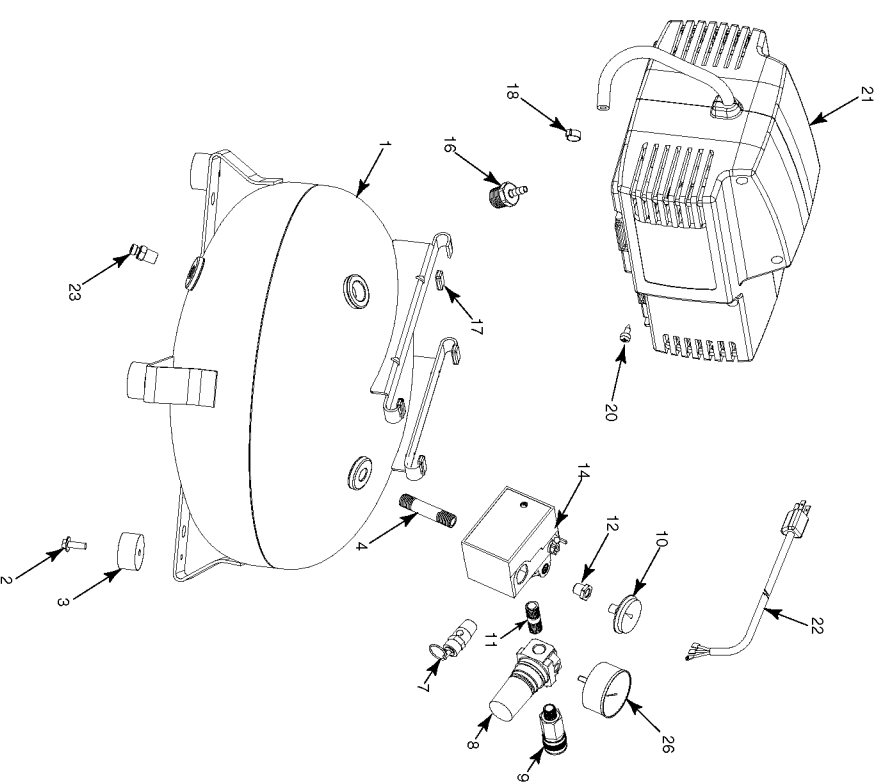


PORTER-CABLE PANCAKE COMPRESSOR

CPFAC2040P-2

WARNING: Electrical repairs should only be attempted by trained repairmen. Contact the nearest Porter-Cable Service Center or other competent repair center.



Parts List for CPFAC2040P Type 2

Item Number	Part Number	Description	Qty Required
1	000000-00	No Longer Available	1
2	91895680	SCREW .250-20X.750 H	10
3	D24721	KIT ISOLATOR W/SCREW	1
4	D24888	NIPPLE .25NPT X 2.5	1
7	D20114	VALVE SAFETY 175 .25	1
8	CAC-4296-1	REGULATOR 3PORT P2 L	1
9	A19513	BODY QC .250 IND .25	1
10	Z-D23004	GAUGE 1.5OD 200PSI .	1
11	N053094	NIPPLE	1
12	SSP-6021	BUSHING REDUCER 1/8-	1
14	5140117-70	PRESSURE SWITCH	1
16	A19713	VALVE CHECK 1/2NPT X	1
17	CAC-1254	ISOLATOR PUMP	1
18	CAC-1206-1	CLAMP HOSE .250 ID H	1
19	SSP-537	FITTING 90DEG ELBOW	1
20	SSF-621	SCREW .250-14X.625 F	10
22	A03087	POWER CORD	1
23	N286039	DRAIN VALVE	1
26	Z-D27212	GAUGE 200PSI .125NPT	1
101	A06436	SHROUD KIT	1
102	A06436	SHROUD KIT	1
103	D25877	HEAD UMC PRESSURE RE	1
104	N044359	TUBE SEAL	1
105	Z-D24819	GASKET HEAD UMC GRAP	1
106	N017592SV	VALVE PLATE ASSY	1
107	N134023	OUTLET TUBE	1
108	SSG-8169	ORING 2.132/2.096ID	1

COPYRIGHT© 2005. All Rights Reserved.

Parts list, pricing, and availability subject to change. Please visit www.dewaltservicenet.com for current parts information.

Parts List for CPFAC2040P Type 2

Item Number	Part Number	Description	Qty Required
109	D21127	SCREW #10-24X.563 PA	10
110	CAC-1206-1	CLAMP HOSE .250 ID H	1
111	A19123	SCREW	10
113	N087118SV	PUMP ASSEMBLY	1
114	SUDL-9-1	SCREW #8-32X.375/.34	10
115	SSF-3156	SCREW #10-9X.500 THD	10
116	A03087	POWER CORD	1
117	D25731	ISOLATOR PUMP	1
118	SSF-995	SCREW #10-24X.875 HH	10
122	H-7051	HOSE AIR 1/4 X 10 BL	1
123	D20492	HANDLE SUPPORT NON-S	1
124	Z-D23825	BRUSH MOTOR UMC GSE	2
125	AC-0815	BELT TIMING DAYCO	1
856	N008888	LABEL	1
856	N008802	LABEL WARNING	1
856	D30324	KIT UMC RING REPLACE	1
856	N036518	CON ROD ASSY	1
856	LA-3092-1	LABEL WARNING DRAIN	1
856	LA-3164	LABEL	1
856	N008806	LABEL HOT SURFACE TR	1
856	N008800	LABEL WARNING FRENCH	1

COPYRIGHT© 2005. All Rights Reserved.

Parts list, pricing, and availability subject to change. Please visit www.dewaltservicenet.com for current parts information.