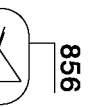
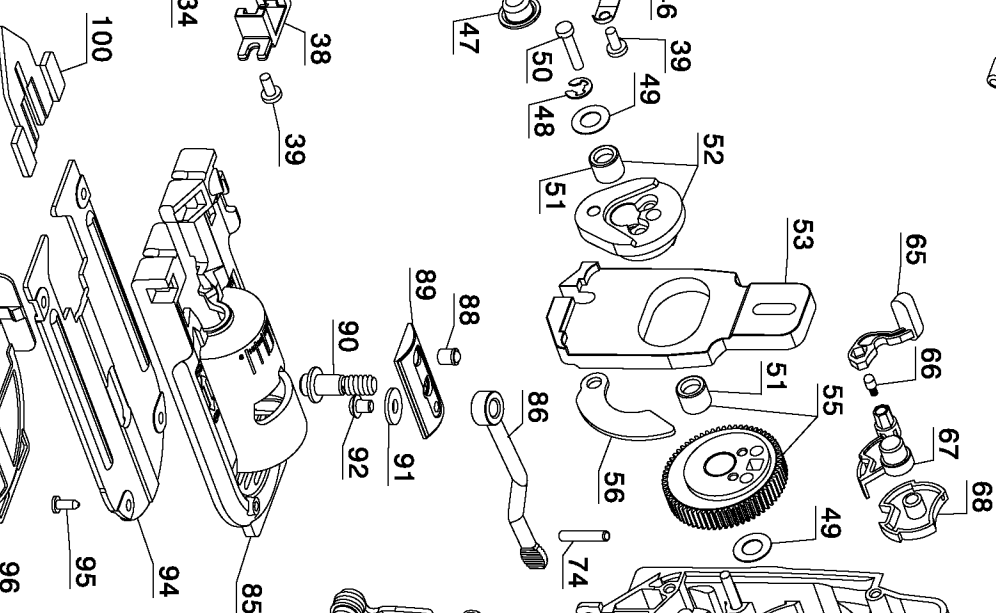
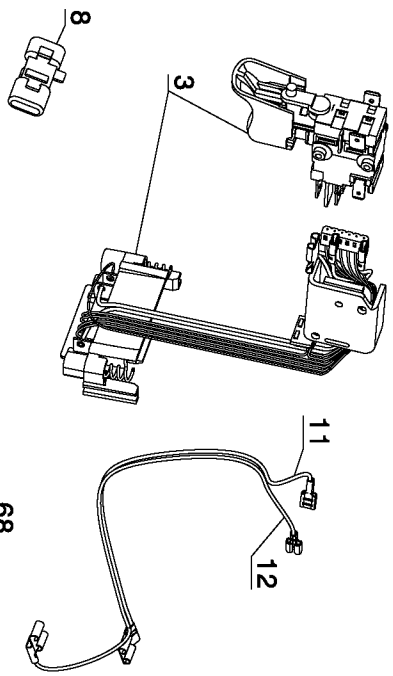
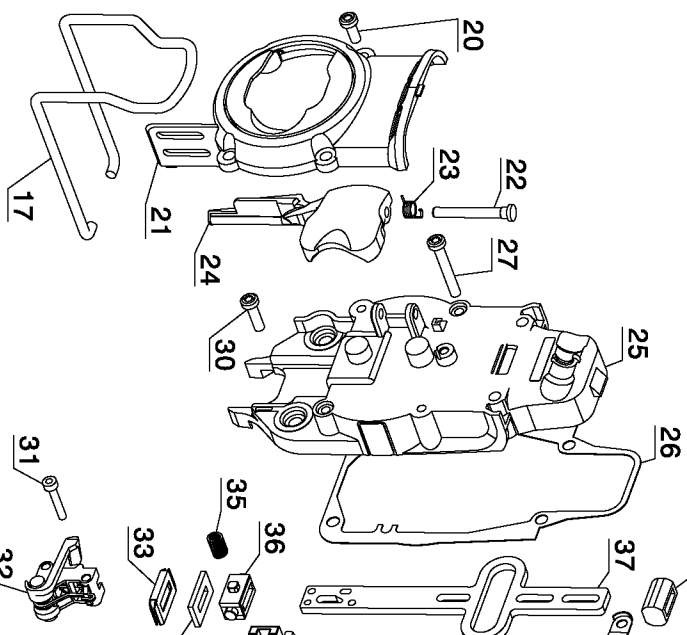
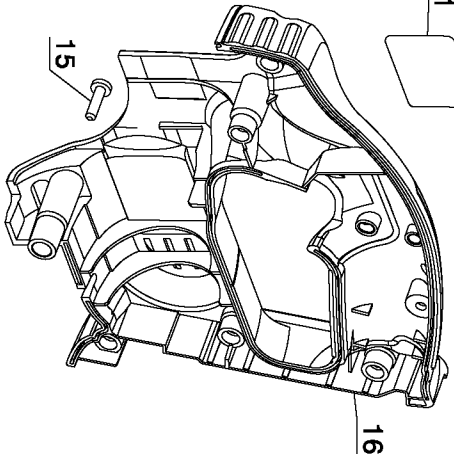
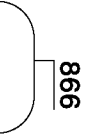


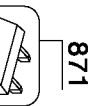
821



856



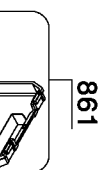
866



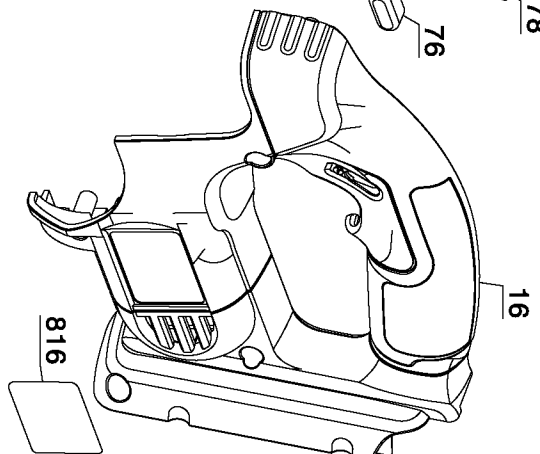
871



800



861



816

Parts List for DC318K Type 1

Item Number	Part Number	Description	Qty Required
1	586202-03	MOTOR ASSEMBLY	1
2	389025-04	BRUSH PAIR KIT	1
3	494321-00	SWITCH ASSEMBLY	1
4	329810-00	FAN	1
5	496428-00	BAFFLE	1
6	156179-01	SCREW,TAPTITE	3
7	330045-15	SCREW,M5X20	4
8	630830-00	LOCK-OFF BUTTON	1
10	490989-00	PINION	1
11	635587-00	LEADWIRE	1
12	635588-00	LEADWIRE	1
15	330065-07	SCREW	7
16	494319-00	CLAMSHELL SET	1
17	581269-00	GUARD	1
20	324006-00	SCREW	4
21	581577-00	CASTING	1
22	584627-00	PIN	1
23	581418-00	SPRING	1
24	589055-00	ACTUATOR	1
25	000000-00	No Longer Available	1
26	581244-00	GASKET	1
27	330045-09	SCREW	2
30	330045-06	SCREW	2
31	582837-00	BOLT	2
32	N072135SV	BLADE CLAMP	1
33	582262-00	SEAL	1
34	582263-00	FELT SEAL	1

COPYRIGHT© 2005. All Rights Reserved.

Parts list, pricing, and availability subject to change. Please visit www.dewaltservicenet.com for current parts information.

Parts List for DC318K Type 1

Item Number	Part Number	Description	Qty Required
35	586646-00	SPRING,COMP.	1
36	582259-00	BEARING	1
37	581274-00	RECIP. SHAFT	1
38	582260-00	BEARING CARRIER	1
39	324006-00	SCREW	4
40	490329-00	BEARING	1
46	582261-00	CLAMP	1
47	582257-00	DRIVE ROLLER	1
48	571181-00	CLIP	1
49	582829-00	WASHER	2
50	479146-00	SCREW	1
51	330004-02	BEARING,NEEDLE	2
52	479403-00	CRANK KIT	1
53	589012-00	COUNTERWEIGHT	1
55	581435-00SV	GEAR ASSY.	1
56	581247-00	ACTUATOR	1
58	585113-00SV	GEARCASE ASSY	1
65	581255-00	LEVER	1
66	326467-00	DETENT	2
67	582830-00	BODY	1
68	582831-00	BAFFLE	1
70	589056-00	BRACKET	1
72	330041-29	PIN	1
73	584450-00	NOZZLE	1
74	330041-49	PIN	1
76	581257-01	LEVER	1
77	330003-95	BALL BEARING	2

COPYRIGHT© 2005. All Rights Reserved.

Parts list, pricing, and availability subject to change. Please visit www.dewaltservicenet.com for current parts information.

Parts List for DC318K Type 1

Item Number	Part Number	Description	Qty Required
78	584639-00	CLIP, SPRING	1
85	581263-00	SHOE	1
86	495746-00	CLAMP LEVER	1
88	584686-00	PLUNGER	1
89	496996-00	CLAMP PLATE	1
90	582826-00	BOLT	1
91	582828-00	WASHER	1
92	582827-00	BOLT	1
94	581264-00	SOLE PLATE	1
95	389235-00	SCREW	4
96	581268-00	SOLE PLATE	1
100	402140-00	DEVICE,ANTI.SPL	1
800	761995-01	GREASE, 6 OZ.	1
800	283484-01	GREASE,32 OZ.	1
816	490611-00	IDENT. LABEL	1
821	490612-01	NAMEPLATE	1
856	1004501-00	RIP FENCE	1
856	000000-00	No Longer Available	1
861	637475-00	LATCH ASSEMBLY	2
861	380865-02	KIT,HANDLE	1
861	633092-00	KIT BOX	1
866	DC9280	BATTERY PACK	1
871	DC9000	CHARGER	1

COPYRIGHT© 2005. All Rights Reserved.

Parts list, pricing, and availability subject to change. Please visit www.dewaltservicenet.com for current parts information.