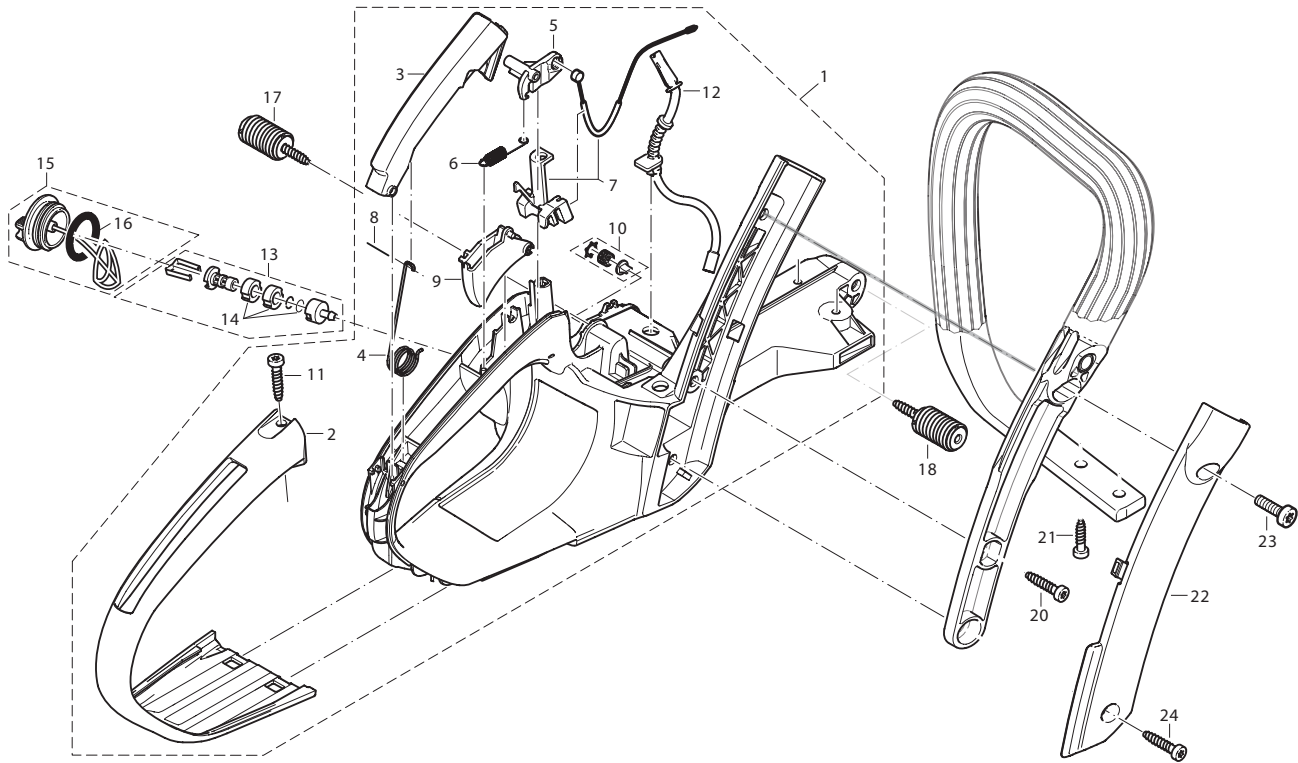
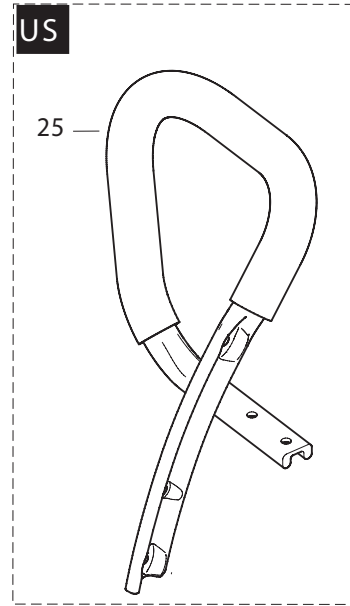
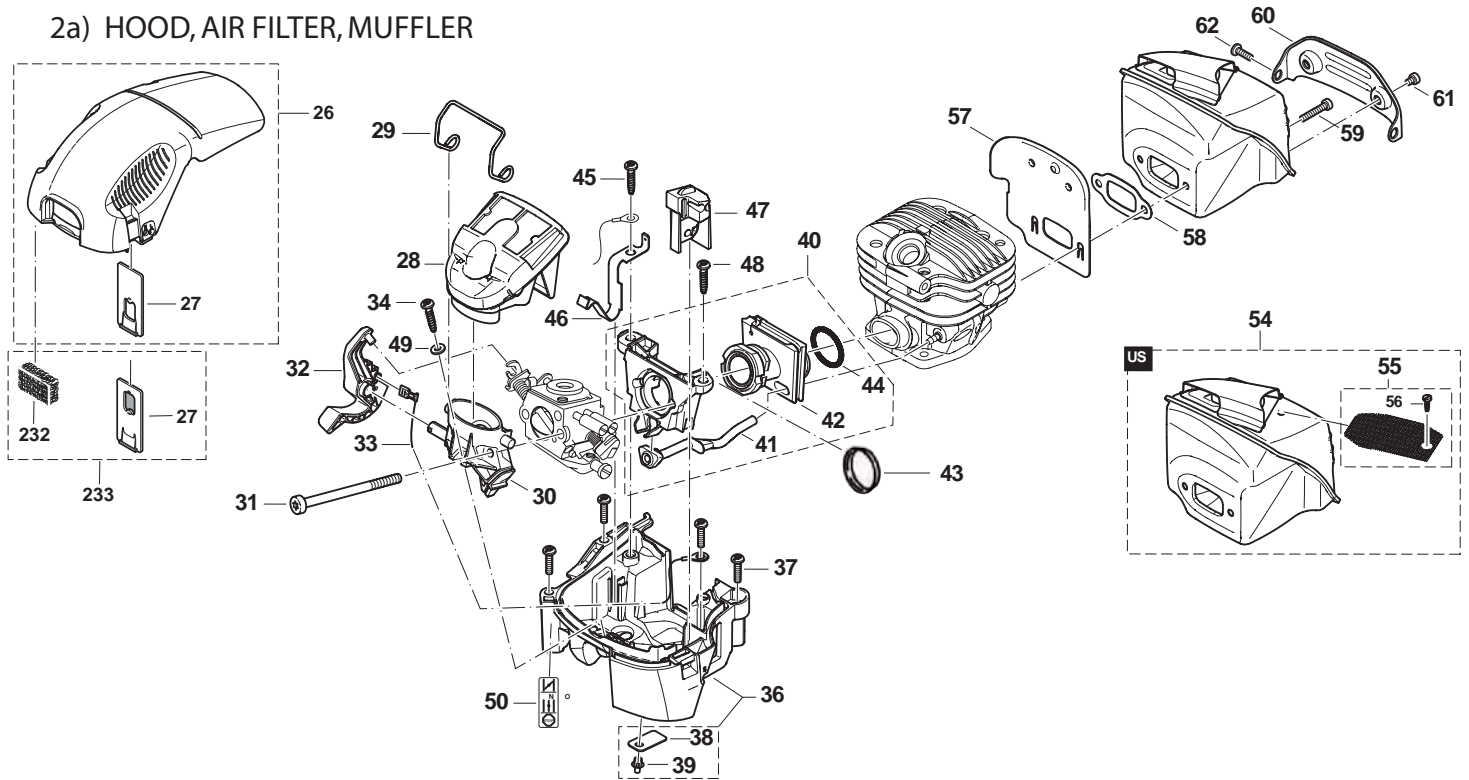


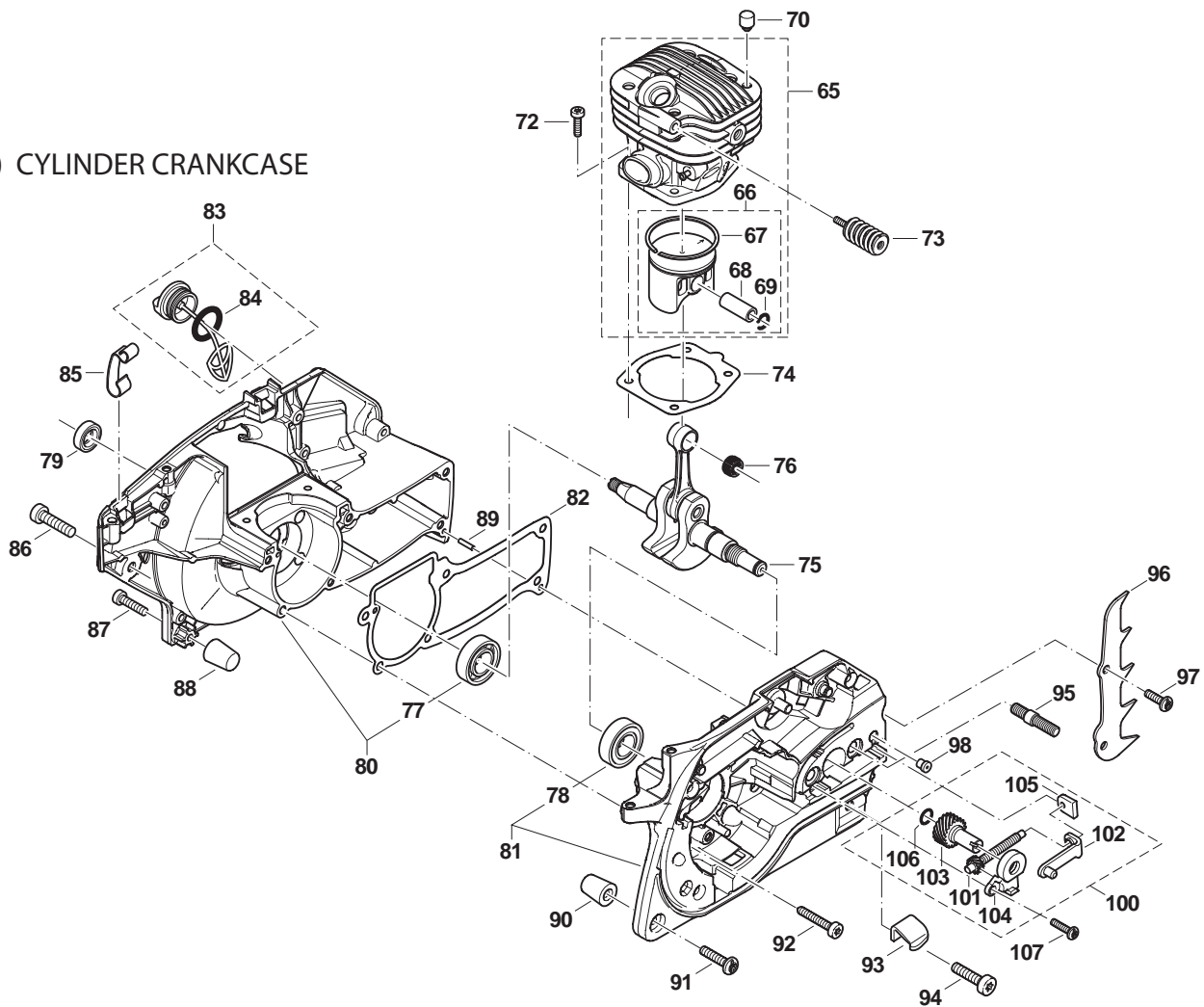
1) FUEL TANK, TUBULAR GRIP



2a) HOOD, AIR FILTER, MUFFLER



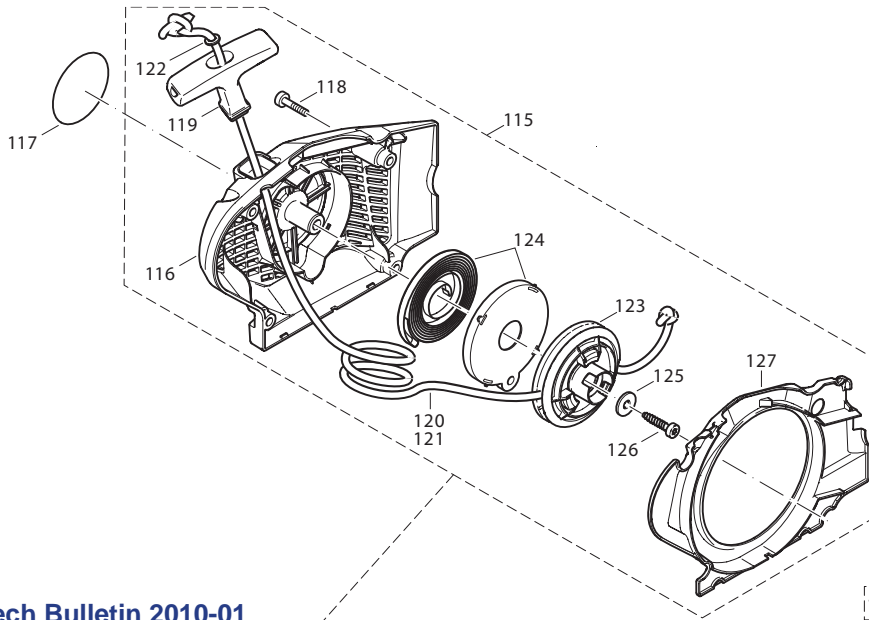
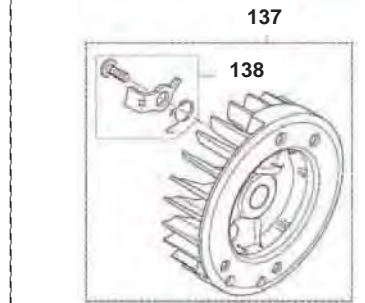
2b) CYLINDER CRANKCASE



3a) IGNITION ELECTRONICS, STARTER

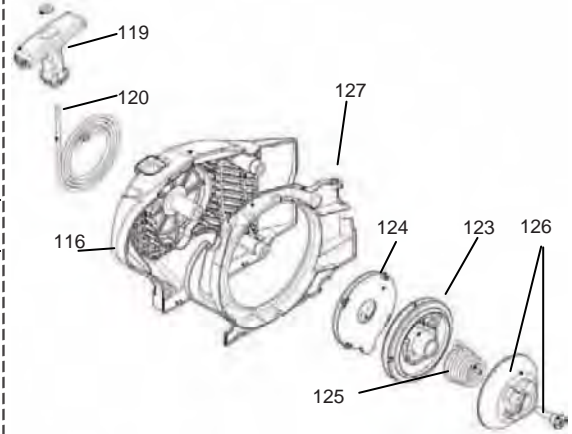
Tech Bulletin 2010-01

Easy Start - Implemented 2010 Production



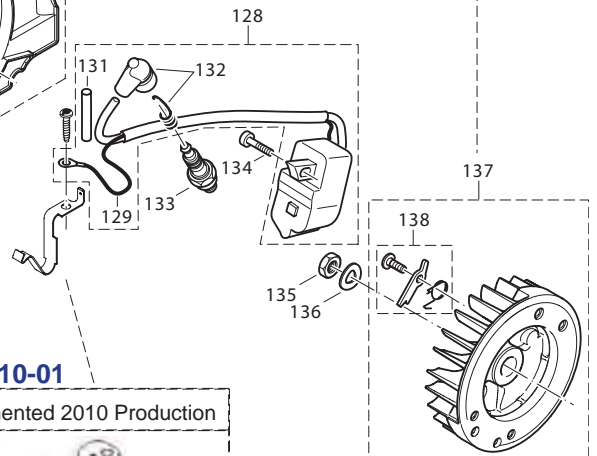
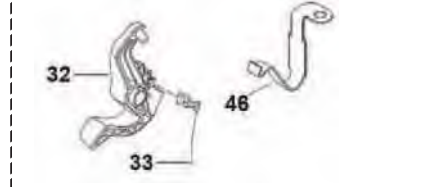
Tech Bulletin 2010-01

Easy Start - Implemented 2010 Production

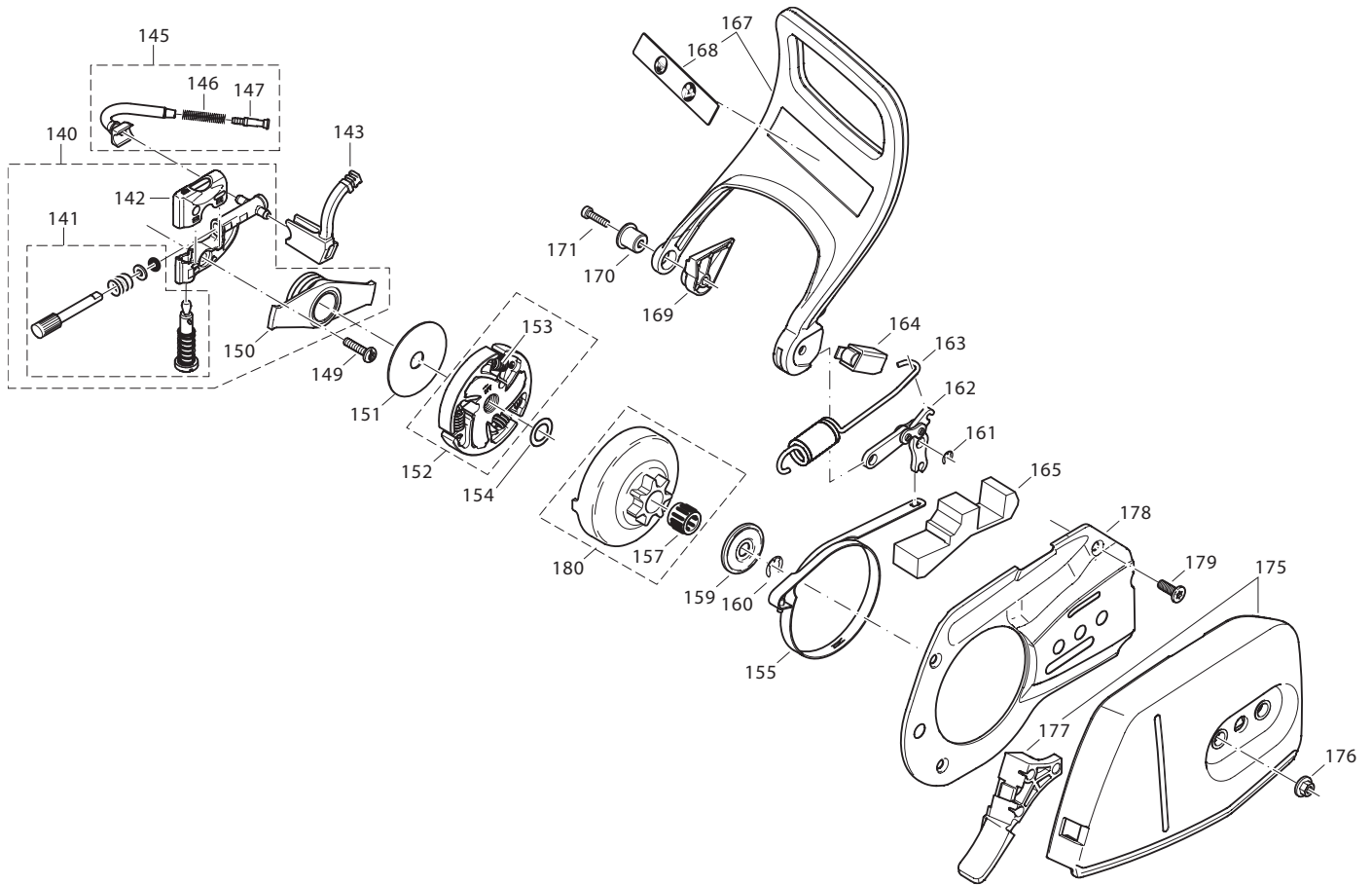


Tech Bulletin 2010-01

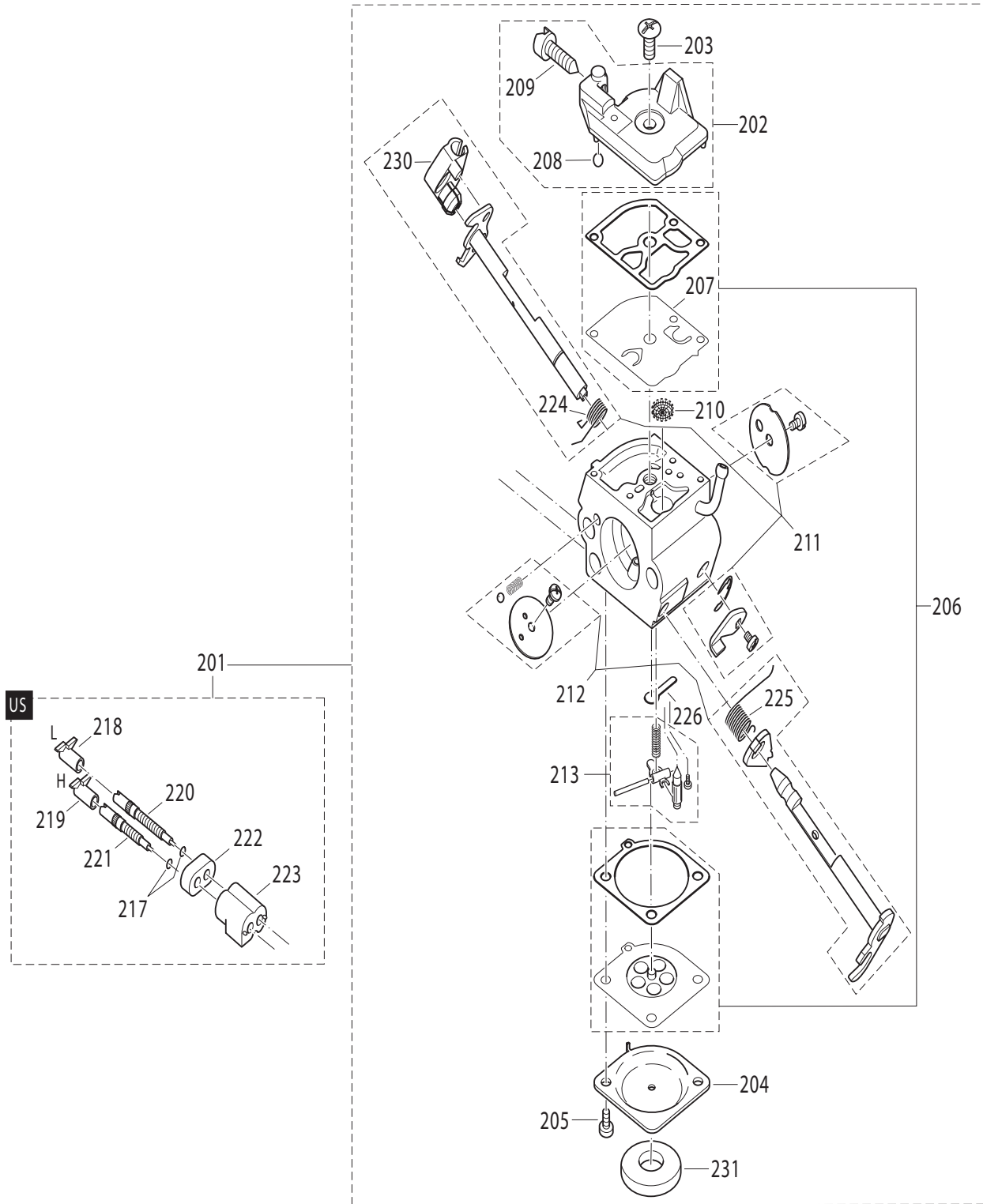
Easy Start - Implemented 2010 Production



3b) OIL PUMP, CLUTCH, CHAIN BRAKE



4) CARBURATOR



5) GUIDE BAR, SAW CHAINS, TOOLS

