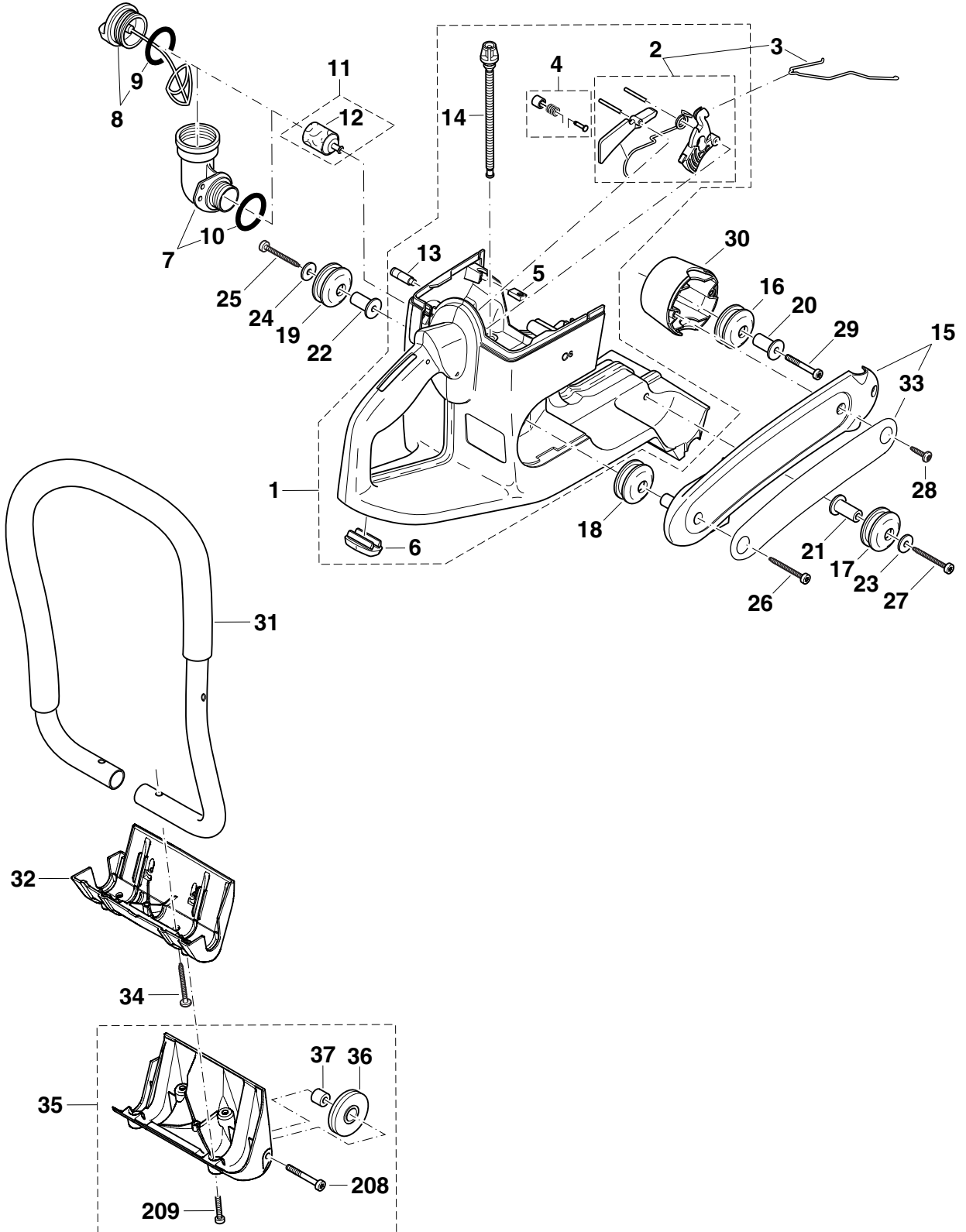
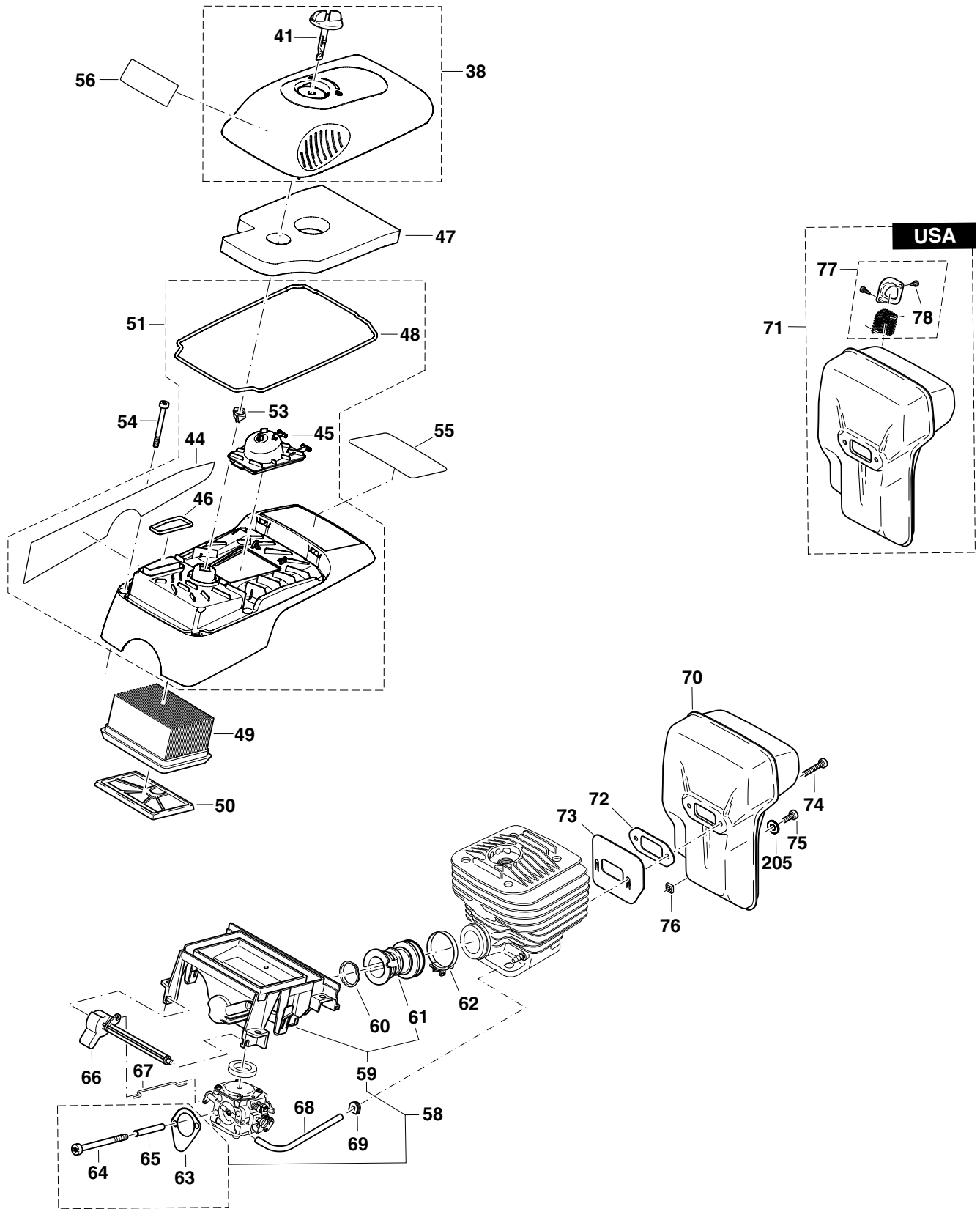


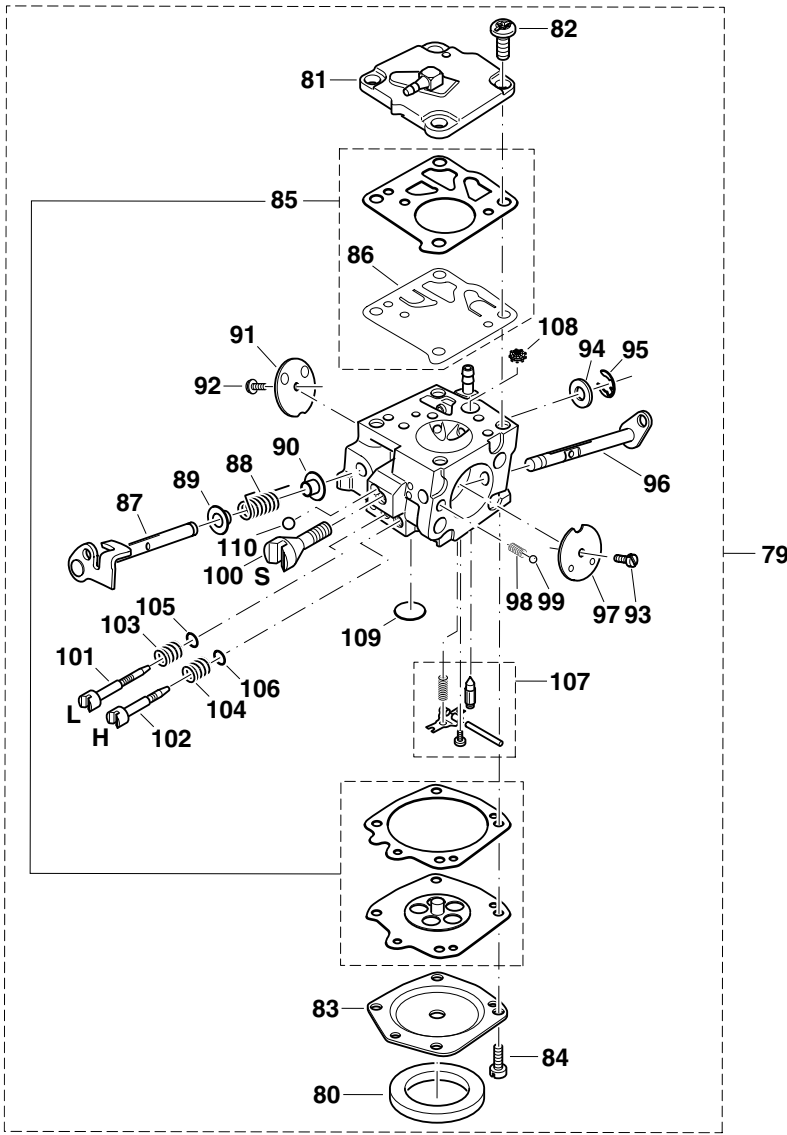
### Tank and Handle Grips



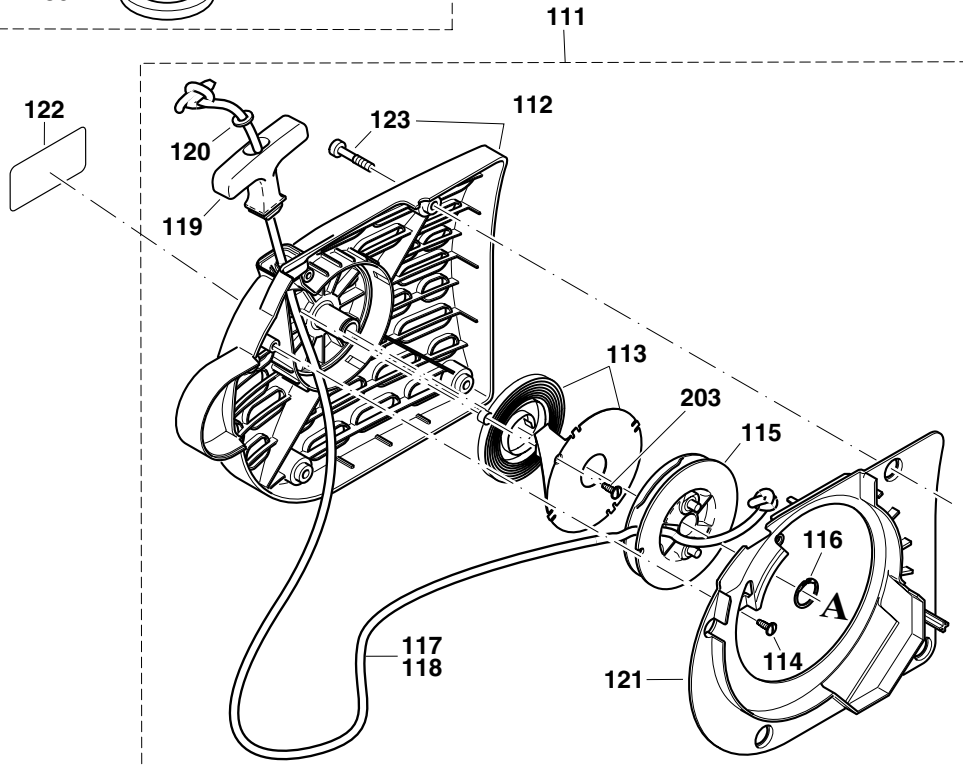
# Hood, Air filter, and Muffler



# Carburetor

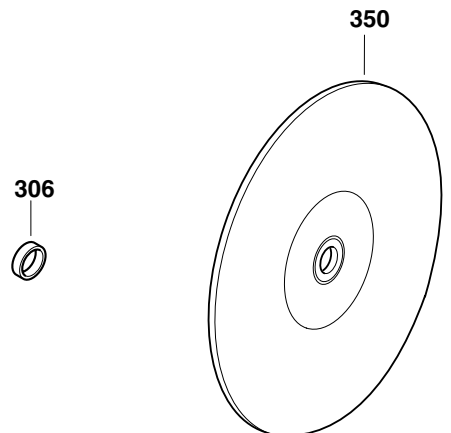
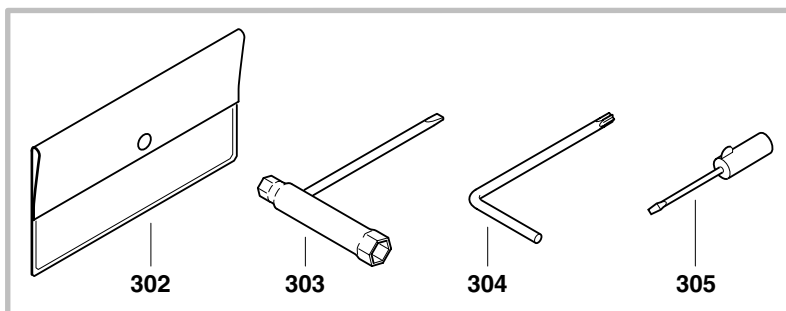
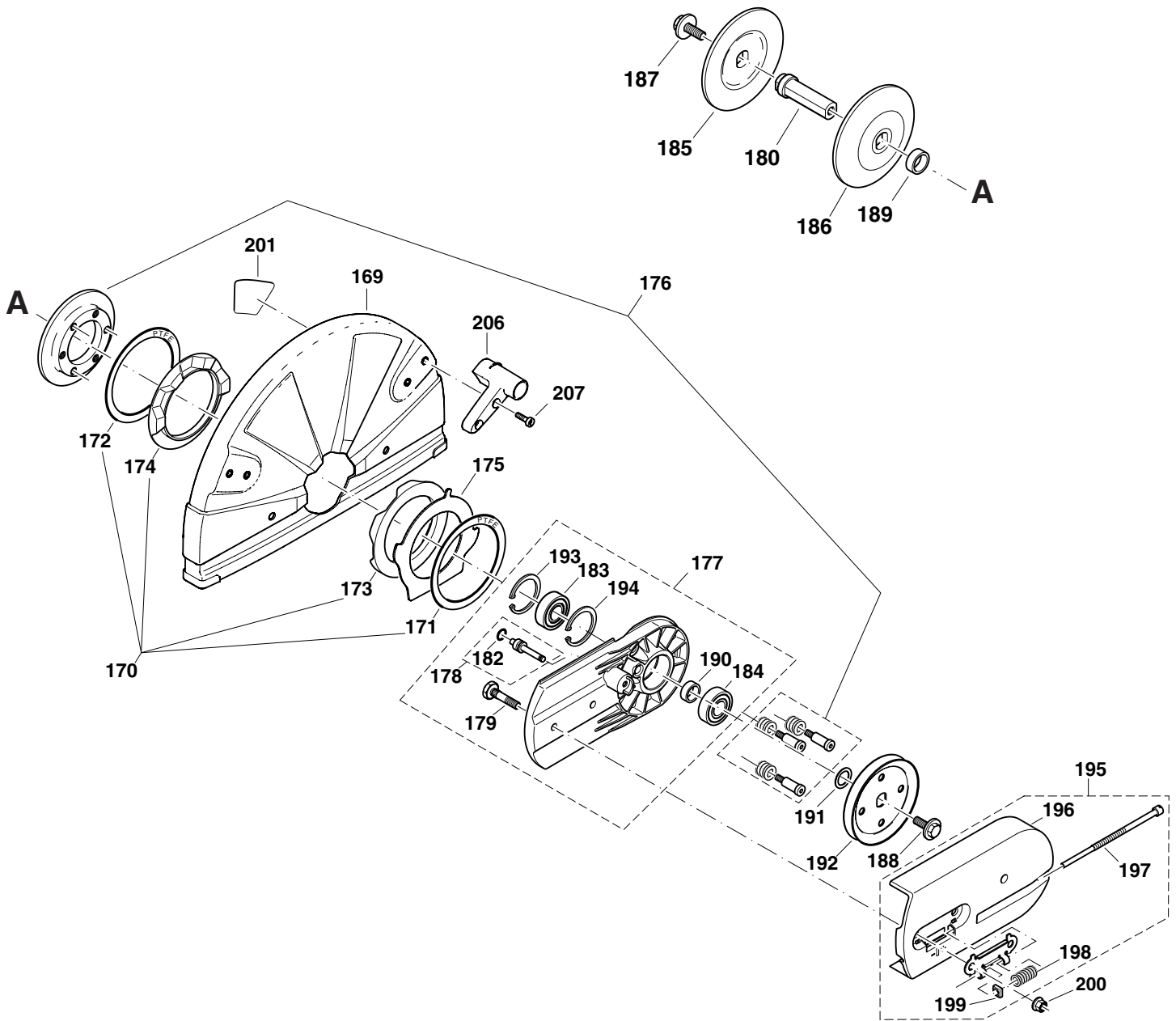


# Starter

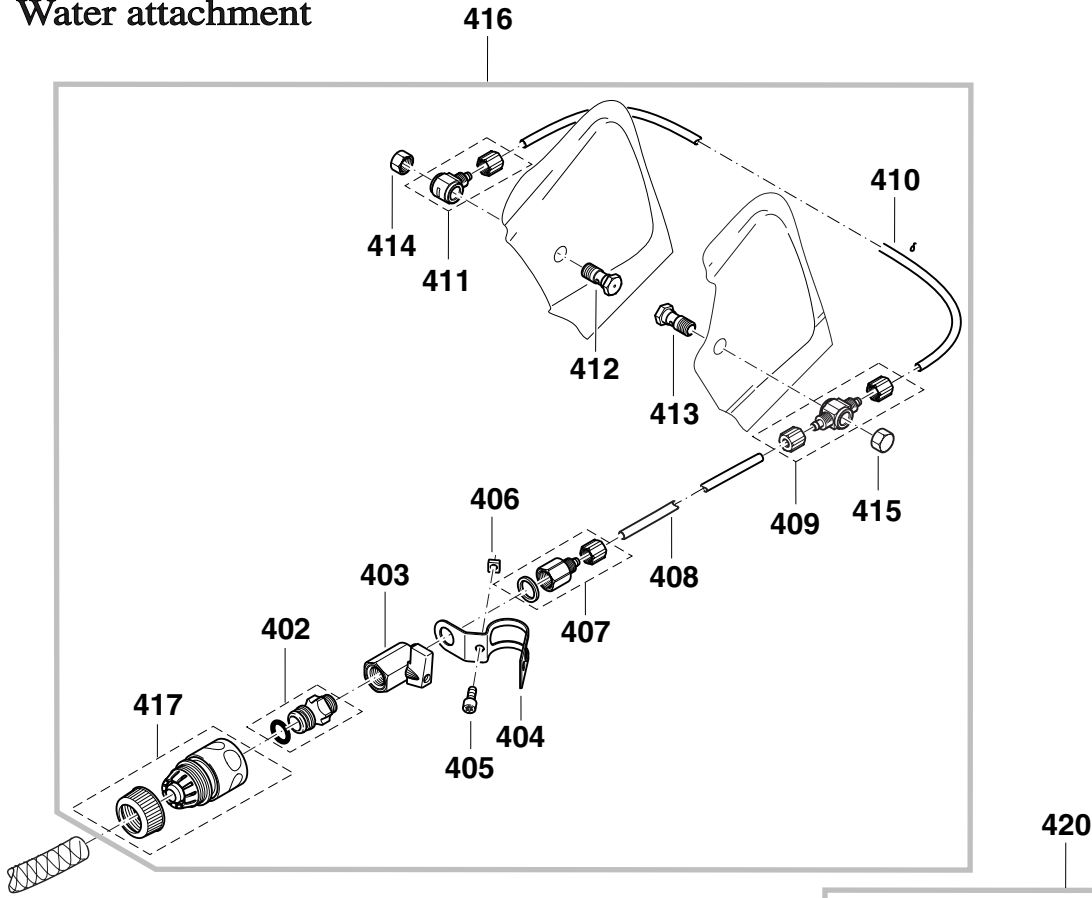




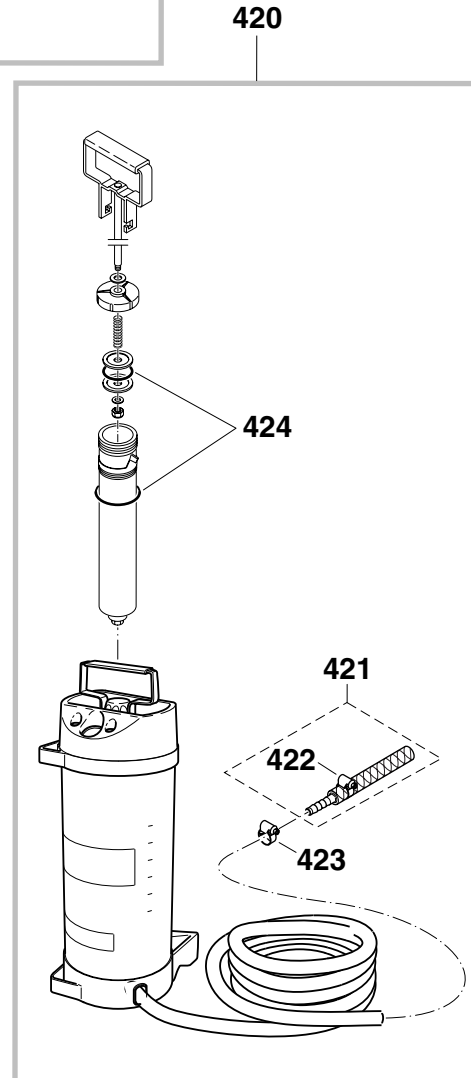
# Cutting device, Protection hood, and Accessories



# Water attachment



# Pressurised water tank



Item No.	Part No.	Qty. Used	Description	Item No.	Part No.	Qty. Used	Description
1	394-114-602	1	TANK Cpl., blue	56	980-114-999	1	LABEL
2	957-117-020	1	THROTTLE MECHANISM, Cpl.	58	957-171-394	1	MODIFICATION SET, connect sleeve
3	394-117-011	1	THROTTLE LINKAGE	59	394-171-051	1	CONNECTING SLEEVE Cpl.
4	957-117-030	1	HALF-THROTTLE LOCK, Cpl.	60	024-131-031	1	INSERT, for suction hose
5	394-114-100	4	SCREW PLUG	61	394-131-101	1	SUCTION LINE
6	394-114-070	1	RUBBER FOOT	62	965-603-050	1	HOSE CLIP
7	010-114-081	1	ANGULAR UNION ASSY.	63	965-518-120	1	GASKET
8	010-114-091	1	TANK CAP Cpl, fuel	64	908-204-555	2	SCREW M4x55
9	963-230-031	1	O-RING, red	65	970-502-050	1	TUBE, 1-1/2" (37mm)
10	963-230-031	1	O-RING, red	66	394-150-030	1	CHOKE SHAFT
11	963-601-120	1	SUCTION HEAD	67	394-150-042	1	CHOKE SHAFT
12	963-601-240	1	FELT	68	965-452-380	1	TUBE, 4-1/2" (116mm)
13	010-175-050	1	AIR VALVE Cpl.	69	965-401-016	1	RUBBER BUSH
14	965-404-911	1	FUEL LINE	71	394-174-151	1	MUFFLER
15	394-114-641	1	BRACKET, grey	72	965-531-130	1	GASKET
16	965-403-535	1	RUBBER BUFFER	73	394-174-050	1	COVER PLATE
17	965-403-535	1	RUBBER BUFFER	74	908-405-205	2	SCREW M5x20
18	965-403-535	1	RUBBER BUFFER	75	908-005-125	1	SCREW M5x12
19	965-403-535	1	RUBBER BUFFER	76	921-905-004	1	SQUARE NUT M5
20	394-114-031	1	AXLE	77	394-174-141	1	SPARK ARRESTOR SCREEN
21	394-114-031	1	AXLE	78	915-035-140	2	SCREW
22	394-114-031	1	AXLE	205	928-405-000	1	DISC
23	924-405-500	1	WASHER	79	394-150-050	1	CARBURETOR W/GASKET
24	924-405-500	1	WASHER	80	965-402-970	1	GASKET
25	913-455-454	1	SCREW 5.5x45	81	394-150-160	1	PUMP COVER Cpl.
26	913-455-454	1	SCREW 5.5x45	82	394-150-170	4	SCREW
27	913-455-454	1	SCREW 5.5x45	83	394-150-120	1	DIAPHRAGM COVER
28	913-455-204	2	SCREW 5.5x20	84	001-150-520	4	SCREW
29	908-305-405	1	SCREW M5x20x40	85	957-150-100	1	SET DIAPHRAGM/GASKETS
30	394-114-050	1	POT, grey	86	113-150-150	1	PUMP DIAPHRAGM, rubber
31	394-310-100	1	WRAP AROUND HANDLE	87	394-150-300	1	THROTTLE SHAFT
32	394-114-190	1	FOOT	88	394-150-310	1	SPRING
33	908-114-988	1	LABEL, Makita	89	144-151-315	1	BUSHING
34	913-455-454	2	SCREW 5.5x45	90	144-151-315	1	BUSHING
35	394-114-270	1	FOOT w/ROLLER, Cpl.	91	144-151-320	1	THROTTLE SHUTTER
36	394-114-230	2	ROLLER	92	001-150-650	1	SCREW
37	394-114-240	2	BUSHING	93	001-150-650	1	SCREW
208	908-006-355	2	SCREW M6x35	94	122-151-400	1	DISC
209	913-350-164	4	SCREW 5X16	95	100-150-350	1	SAFETY WASHER
38	326-118-610	1	FILTER COVER ASSY., grey	96	394-150-250	1	CHOKE SHAFT
41	394-118-010	1	BAYONET FIXING	97	113-150-261	1	CHOKE SHUTTER
44	980-114-971	1	SAFETY LABEL	98	101-150-080	1	LOCKING SPRING
45	326-118-070	1	COVER for spark plug	99	113-150-380	1	LOCKING BALL
46	326-118-050	1	PACKING RING	100	394-150-570	1	IDLE STOP SCREW (S)
47	326-173-080	1	PREFILTER	101	394-150-470	1	IDLE ADJUSTM. SCREW (L)
48	326-118-020	1	PACKING RING	102	394-150-510	1	MAIN ADJUSTM. SCREW (H)
49	394-173-010	1	AIR FILTER	103	144-151-480	1	SPRING
50	394-173-020	1	INNER FILTER	104	144-151-480	1	SPRING
51	326-118-080	1	HOOD Cpl., black	105	394-150-500	1	PACKING RING
53	394-118-050	1	BAYONET LOCK	106	394-150-500	1	PACKING RING
54	908-605-505	4	SCREW M5x50	107	957-150-160	1	SET of CONTROL PARTS
55	980-114-969	1	LABEL, DPC7310	108	394-150-180	1	SCREEN
55	980-114-970	1	LABEL, DPC7311	109	113-150-040	1	COVER DISC





Item No.	Part No.	Qty. Used	Description	Item No.	Part No.	Qty. Used	Description
407	964-802-310	1	CONNECTING PIECE				
408	964-802-320	1	HOSE, 16" (405mm)				
409	964-802-330	1	CONNECTING PIECE (T)				
410	964-802-320	1	HOSE, 7" (180mm) DPC7310				
410	964-802-320	1	HOSE, 8-1/4" (210mm) DPC7311				
411	964-802-340	1	CONNECTING PIECE (L)				
412	964-802-351	1	NOZZLE				
413	964-802-351	1	NOZZLE				
414	964-802-361	1	CAP NUT				
415	964-802-361	1	CAP NUT				
420	957-802-600	1	PRESSURISED WATER TANK				
421	394-365-180	1	CONNECTING REDUCER				
422	964-802-250	1	HOSE CLIP				
423	964-802-250	1	HOSE CLIP				
424	957-963-200	1	GASKET SET				

**ACCESSORIES**

180	394-228-130	1	AXLE, 22.2mm
302	950-004-001	1	PLASTIC BAG
303	941-719-140	1	UNIVERSAL WRENCH
304	940-827-000	1	ANGLED SCREWDRIVER
305	944-340-001	1	SCREWDRIVER
306	394-228-121	1	ADAPTER, (20/25.4mm)
350	965-210-611	1	12" ABRASIVE WHEEL, DPC7310
350	965-210-222	1	14" ABRASIVE WHEEL, DPC7311
416	394-365-630	1	WATER ATTACHMENT KIT
417	964-802-400	1	COUPLING SLEEVE STOP