



PARTS BREAKDOWN

CONTENTS

GENERATOR PARTS

- 1) FUEL TANK
- 2) CONTROL PANEL
- 3) GENERATOR
- 4) COVER

ENGINE PARTS

- 5) CRANKCASE
- 6) CRANKSHAFT, PISTON and CAMSHAFT
- 7) GOVERNOR
- 8) BLOWER HOUSING AND MUFFLER
- 9) CARBURETOR AND AIR CLEANER
- 10) MAGNETO
- 11) RECOIL STARTER

IMPORTANT — To assure product **SAFETY** and **RELIABILITY**, repairs, maintenance or adjustments should be performed by **MAKITA** Service Centers or other qualified service organizations. Always use **MAKITA** replacement parts.

1) FUEL TANK

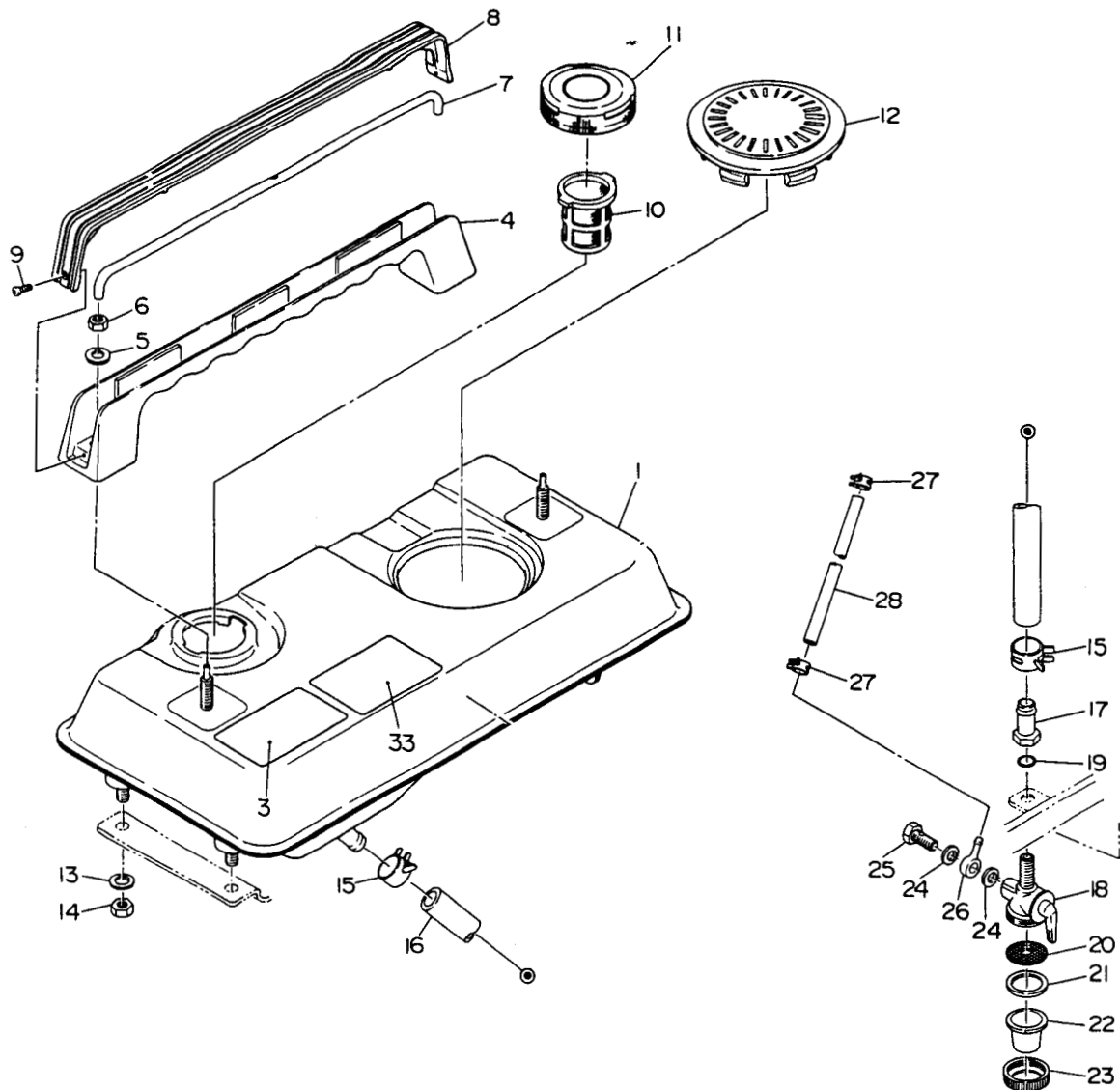


Fig.	Part No.	Qty. Used	Description	Fig.	Part No.	Qty. Used	Description
1	350-60103-71	1	FUEL TANK COMPL.	16	085-11100-00	1	RUBBER PIPE
3	073-20026-31	1	CAUTION LABEL	17	053-30900-20	1	NUT
4	350-65201-01	1	HANDLE	18	064-20049-02	1	FUEL STRAINER ASS'Y (INCL. FIG. 19-28)
5	003-20080-00	2	SPRING WASHER	19	064-20003-30	1	O-RING
6	002-18080-00	2	NUT	20	064-20002-20	1	FILTER
7	350-65501-03	1	BREATHER PIPE	21	064-20002-30	1	PACKING
8	350-65401-13	1	HANDLE COVER	22	064-20019-10	1	CUP
9	004-31031-00	2	SCREW	23	064-20024-10	1	LOCK NUT
10	064-13600-20	1	FUEL FILTER COMPL.	24	064-20002-50	2	FIBER PACKING
11	043-04300-41	1	FUEL TANK CAP COMPL.	25	064-20002-40	1	BANJO BOLT
12	227-66001-03	1	PLUG COVER	26	052-10700-42	1	BANJO
13	003-20080-00	2	SPRING WASHER	27	056-11100-20	2	HOSE CLAMP
14	002-18080-00	2	NUT	28	085-10600-00	1	RUBBER PIPE
15	056-11700-10	2	HOSE CLAMP				

2) CONTROL PANEL

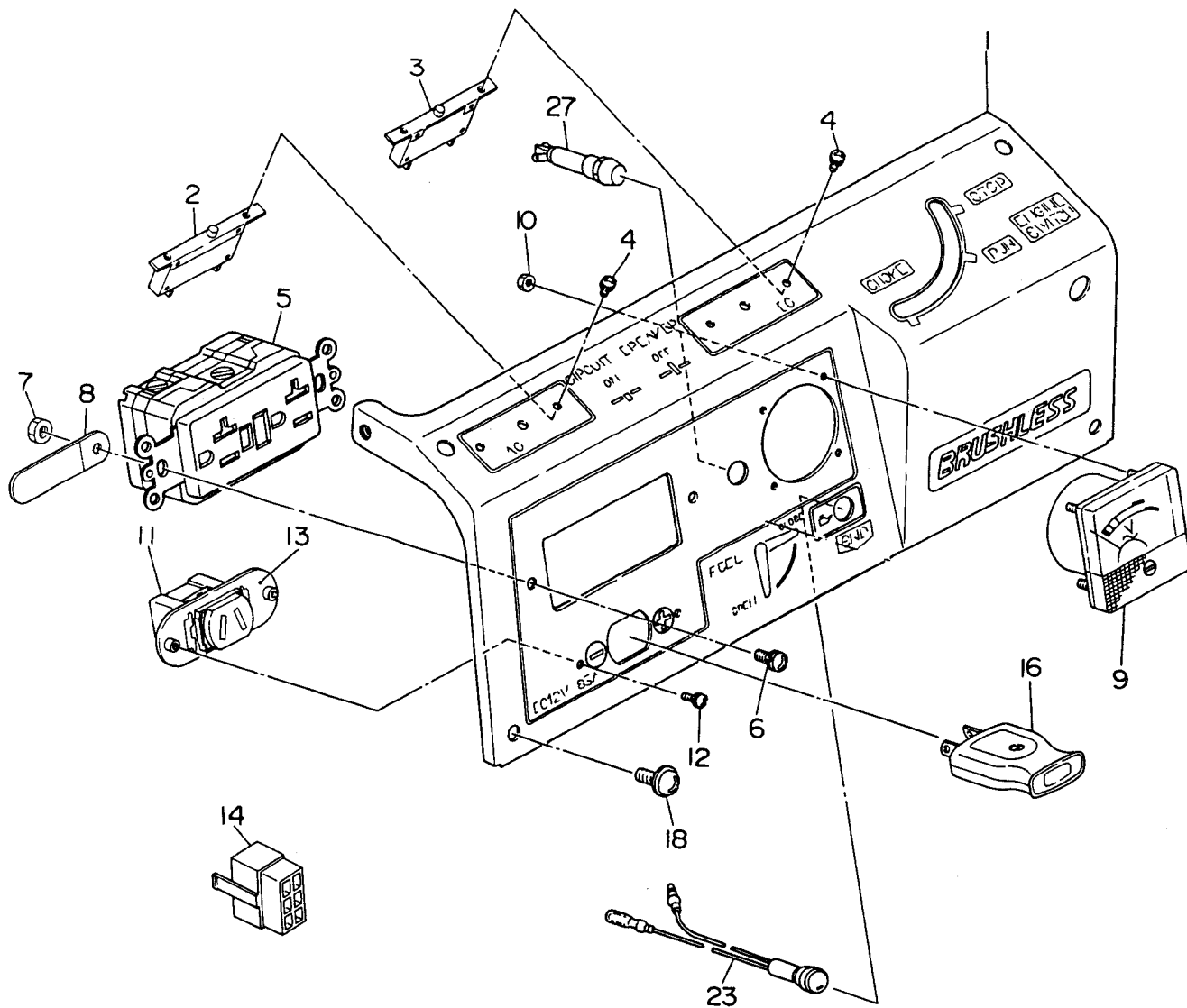


Fig.	Part No.	Qty. Used	Description	Fig.	Part No.	Qty. Used	Description
1	350-41803-01	1	CONTROL PANEL COMPL.	10	002-17030-00	2	NUT
2	351-45624-08	1	CIRCUIT BREAKER (AC)	11	350-40602-08	1	DC RECEPTACLE
3	352-45620-08	1	CIRCUIT BREAKER (DC)	12	004-35030-80	2	SCREW & WASHER ASS'Y
4	004-35030-60	4	SCREW & WASHER ASS'Y	13	350-40603-08	1	DC RECEPTACLE BASE
5	388-85001-01	1	AC RECEPTACLE	14	353-54300-08	1	CONNECTOR (6P)
6	004-35041-00	2	SCREW & WASHER ASS'Y	16	358-95003-03	1	DC PLUG
7	002-17040-00	2	NUT	18	013-10500-20	4	SCREW & WASHER ASS'Y
8	350-21053-08	1	CLAMP	23	227-77002-00	1	LED LAMP ASS'Y
9	391-47800-01	1	AC VOLTMETER	27	320-75173-08	1	NEON LAMP

3) GENERATOR

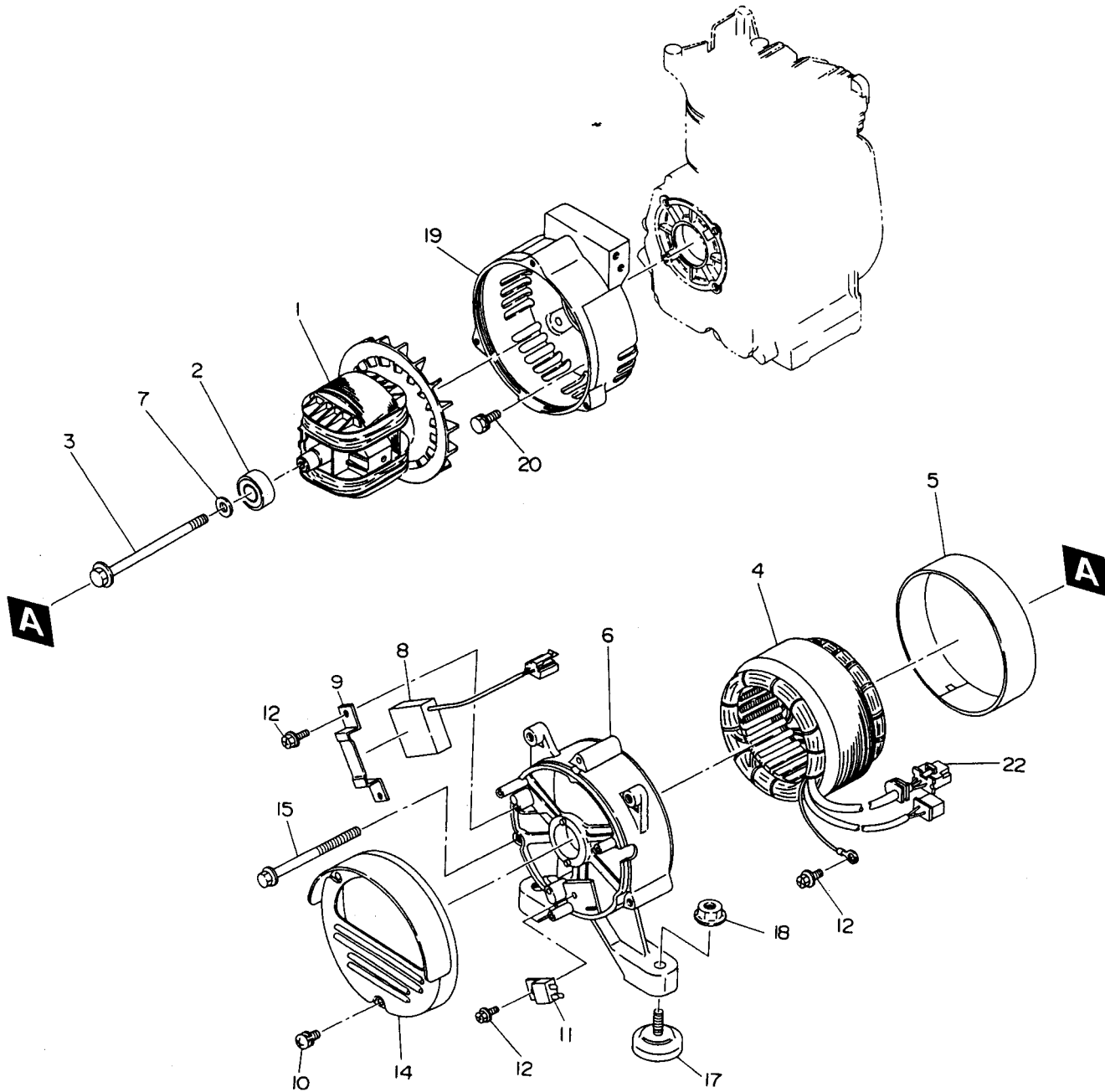


Fig.	Part No.	Qty. Used	Description	Fig.	Part No.	Qty. Used	Description
1	377-21000-01	1	ROTOR COMPL. (INCL. FIG. 2)	11	358-21006-08	1	RECTIFIRE
2	358-21015-08	1	BALL BEARING	12	383-21051-08	4	SCREW
3	377-25100-03	1	THROUGH BOLT	14	350-23501-01	1	END COVER COMPL.
4	350-22808-01	1	STATOR COMPL.	15	377-25200-03	3	COVER BOLT
5	377-24000-13	1	STATOR COVER	17	350-30103-01	2	MOUNT COMPL.
6	350-21300-08	1	REAR BRACKET	18	002-38080-00	2	FLANGE NUT
7	003-11080-00	1	WASHER	19	376-23000-03	1	FRONT COVER
8	350-21320-08	1	CONDENSER	20	001-13082-00	4	BOLT & WASHER ASS'Y
9	376-22100-03	1	CONDENSER BRACKET	22	358-21020-08	1	CONNECTOR (6P)
10	004-36040-80	3	SCREW & WASHER ASS'Y				

4) COVER

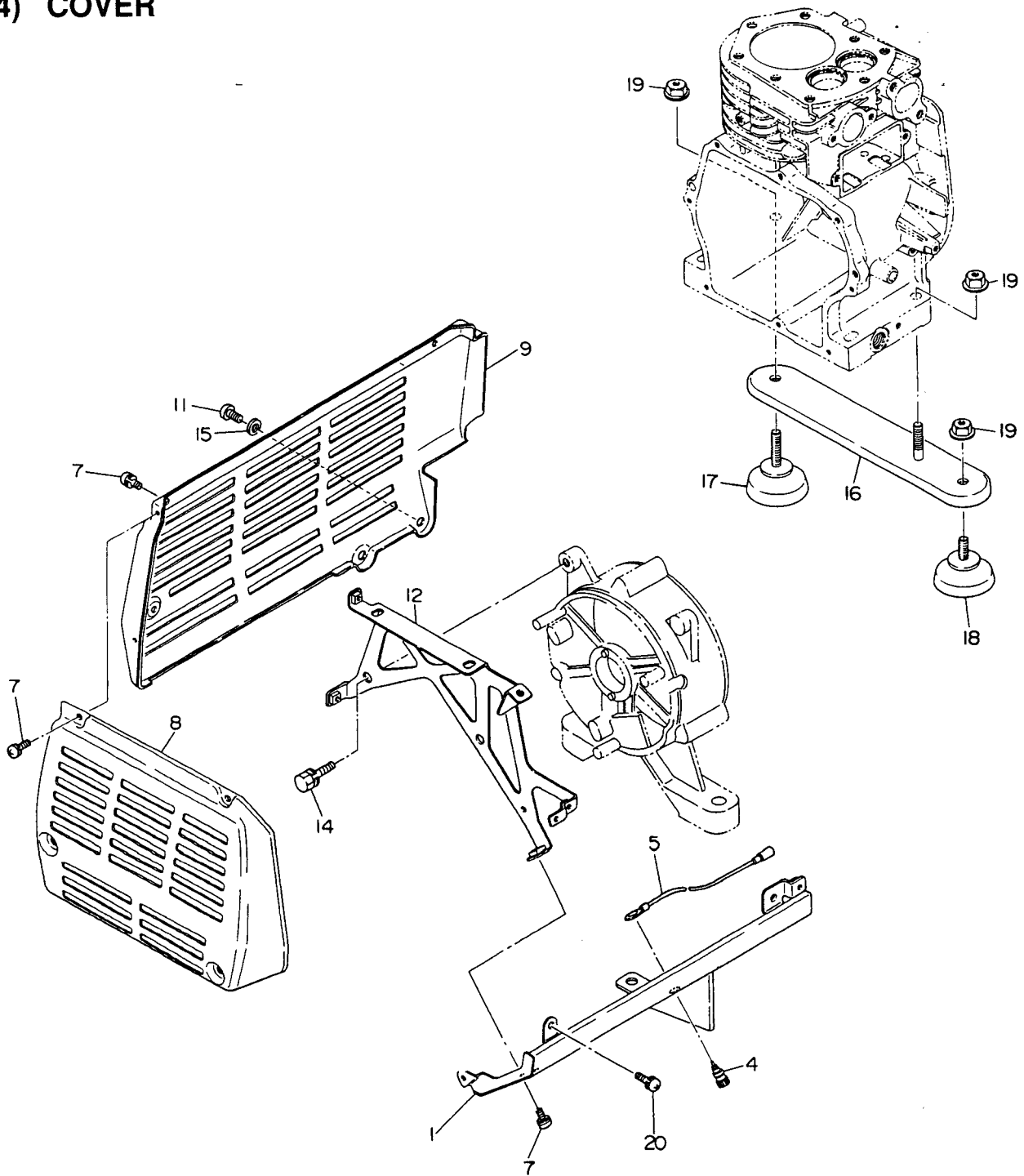


Fig.	Part No.	Qty. Used	Description	Fig.	Part No.	Qty. Used	Description
1	350-50106-01	1	FRONT COVER COMPL.	14	001-13082-00	2	BOLT & WASHER ASS'Y
4	363-45700-08	1	TERMINAL BOLT	15	003-11080-00	2	WASHER
5	350-54002-01	1	EARTH WIRE COMPL.	16	350-30701-21	1	MOUNT BRACKET COMPL.
7	013-10500-20	8	SCREW & WASHER ASS'Y	17	350-30103-01	1	MOUNT COMPL.
8	350-51707-01	1	SIDE COVER	18	350-30104-01	1	MOUNT COMPL.
9	350-50627-01	1	REAR COVER COMPL.	19	002-38080-00	3	FLANGE NUT
11	004-31081-00	2	SCREW	20	004-34051-00	2	SCREW & WASHER ASS'Y
12	350-35101-11	1	BRACKET COMPL.				

5) CRANKCASE

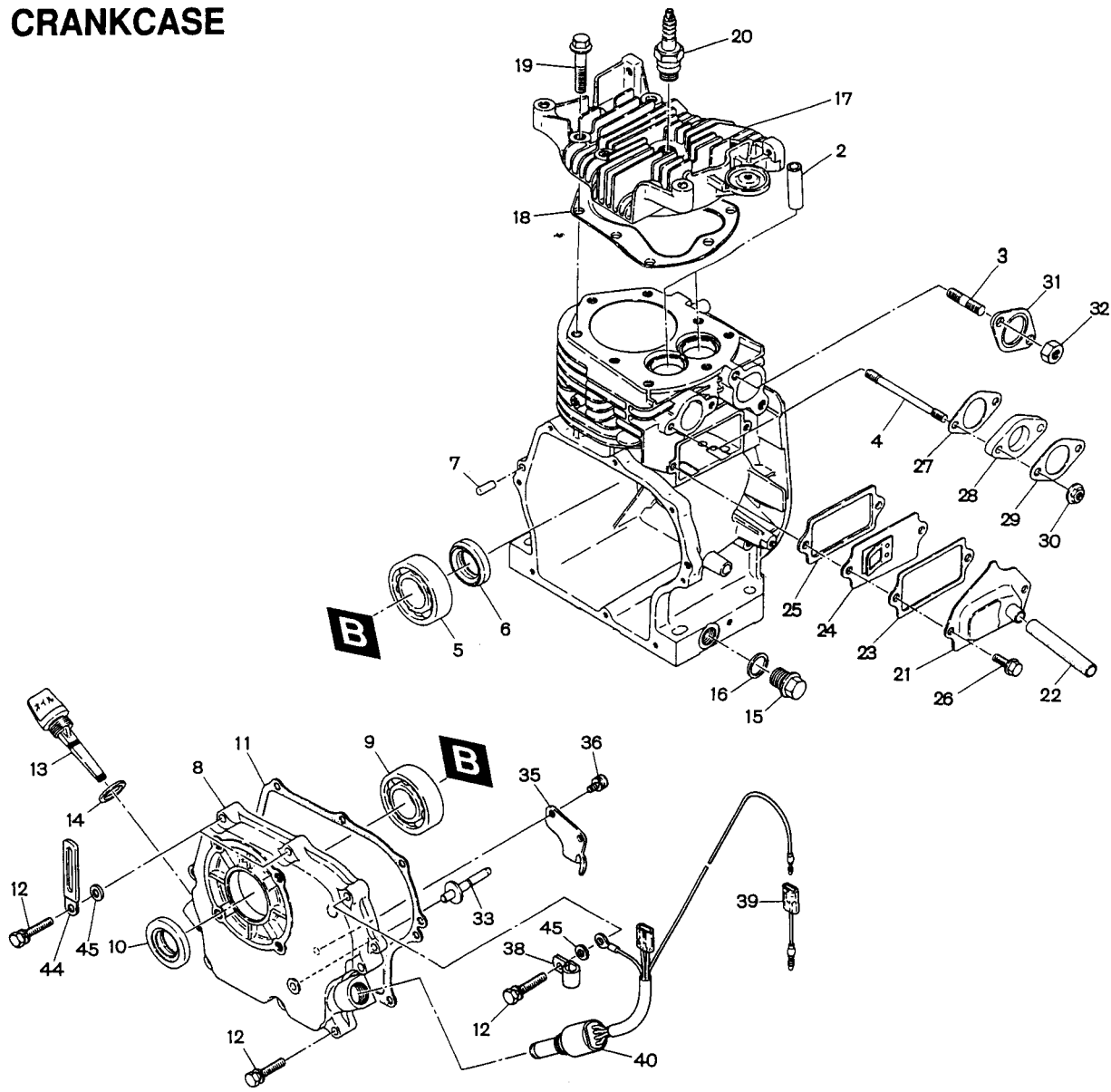


Fig.	Part No.	Qty. Used	Description	Fig.	Part No.	Qty. Used	Description
2	227-14202-03	2	VALVE GUIDE	22	085-10800-00	1	RUBBER PIPE
3	010-50802-50	2	STUD	23	227-16006-03	1	GASKET
4	010-50601-20	2	STUD	24	227-14401-01	1	BREATHER PLATE COMPL.
5	060-02500-10	1	BALL BEARING	25	227-16007-03	1	GASKET
6	044-02501-50	1	OIL SEAL	26	011-00600-20	2	FLANGE BOLT
7	031-00600-20	2	DOWEL PIN	27	227-35901-03	1	GASKET
8	227-11006-01	1	MAIN BEARING COVER COMPL. (INCL. FIG. 9,10,33)	28	227-32901-13	1	INSULATOR
9	060-02500-10	1	BALL BEARING	29	227-35904-03	1	GASKET 2
10	044-02501-60	1	OIL SEAL	30	002-38060-00	2	FLANGE NUT
11	227-16001-03	1	GASKET	31	226-35201-01	1	GASKET COMPL.
12	013-00600-40	8	BOLT & WASHER ASS'Y	32	002-19080-00	2	NUT
13	227-63601-03	1	OIL GAUGE	35	227-17501-03	1	OIL SHELTER
14	021-31600-10	1	GASKET	36	004-35040-80	2	SCREW & WASHER ASS'Y
15	040-11400-30	2	PLUG	38	206-75501-01	1	CLAMP
16	021-11400-20	2	GASKET	39	214-73122-01	1	WIRE 22 COMPL.
17	226-13101-13	1	CYLINDER HEAD	40	227-76035-01	1	OIL LEVEL SENSOR COMPL.
18	226-15001-11	1	GASKET COMPL.	44	214-79006-01	2	CLAMP COMPL.
19	011-00800-10	8	FLANGE BOLT	45	003-10060-00	3	WASHER
20	065-01401-50	1	SPARK PLUG	*	226-99001-07	1	GASKET SET (INCL. FIG. 11,14,18,23,25,27,29,31)
21	227-14301-01	1	TAPPET COVER COMPL.				

6) CRANKSHAFT, PISTON and CAMSHAFT

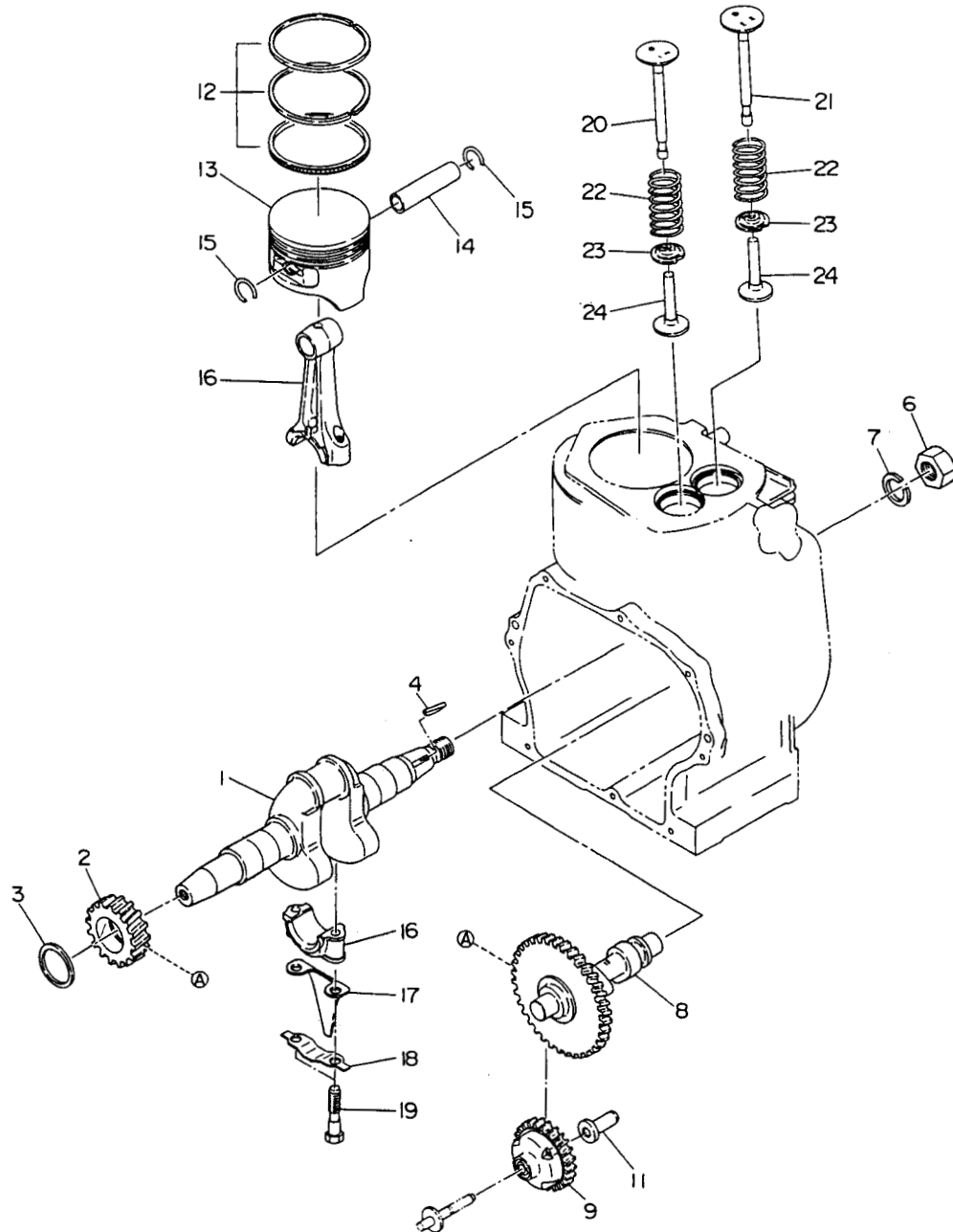


Fig.	Part No.	Qty. Used	Description	Fig.	Part No.	Qty. Used	Description
1	226-20208-01	1	CRANKSHAFT COMPL. (INCL, FIG. 2)	13	226-23402-03	1	PISTON 0.25MM
3	023-02501-10	1	SPACER 0.6	13	226-23403-03	1	PISTON 0.50MM
3	023-02501-20	1	SPACER 0.8	14	214-23301-13	1	PISTON PIN
3	023-02501-30	1	SPACER 10	15	056-51400-10	2	CLIP
4	032-30300-10	1	WOODRUFF KEY	16	226-22511-00	1	CONNECTING ROD ASS'Y (INCL. FIG. 17,18,19)
6	002-18140-00	1	NUT	17	226-23101-03	1	OIL SCRAPER
7	003-20140-00	1	SPRING WASHER	18	205-23201-03	1	ROD LOCK WASHER
8	226-31701-13	1	CAMSHAFT	19	226-23001-03	2	CONNECTING ROD BOLT
9	227-45003-01	1	GOVERNOR GEAR COMPL.	20	226-33401-03	1	INTAKE VALVE
11	205-41901-03	1	GOVERNOR SLEEVE	21	226-33501-13	1	EXHAUST VALVE
12	226-23501-07	1	PISTON RING SET (S.T.D.)	22	227-33601-03	2	VALVE SPRING
12	226-23502-07	1	PISTON RING SET 0.25MM	23	227-33701-03	2	SPRING RETAINER
12	226-23503-07	1	PISTON RING SET 0.50MM	24	226-33301-03	2	TAPPET
13	226-23401-03	1	PISTON (S.T.D.)				

7) GOVERNOR

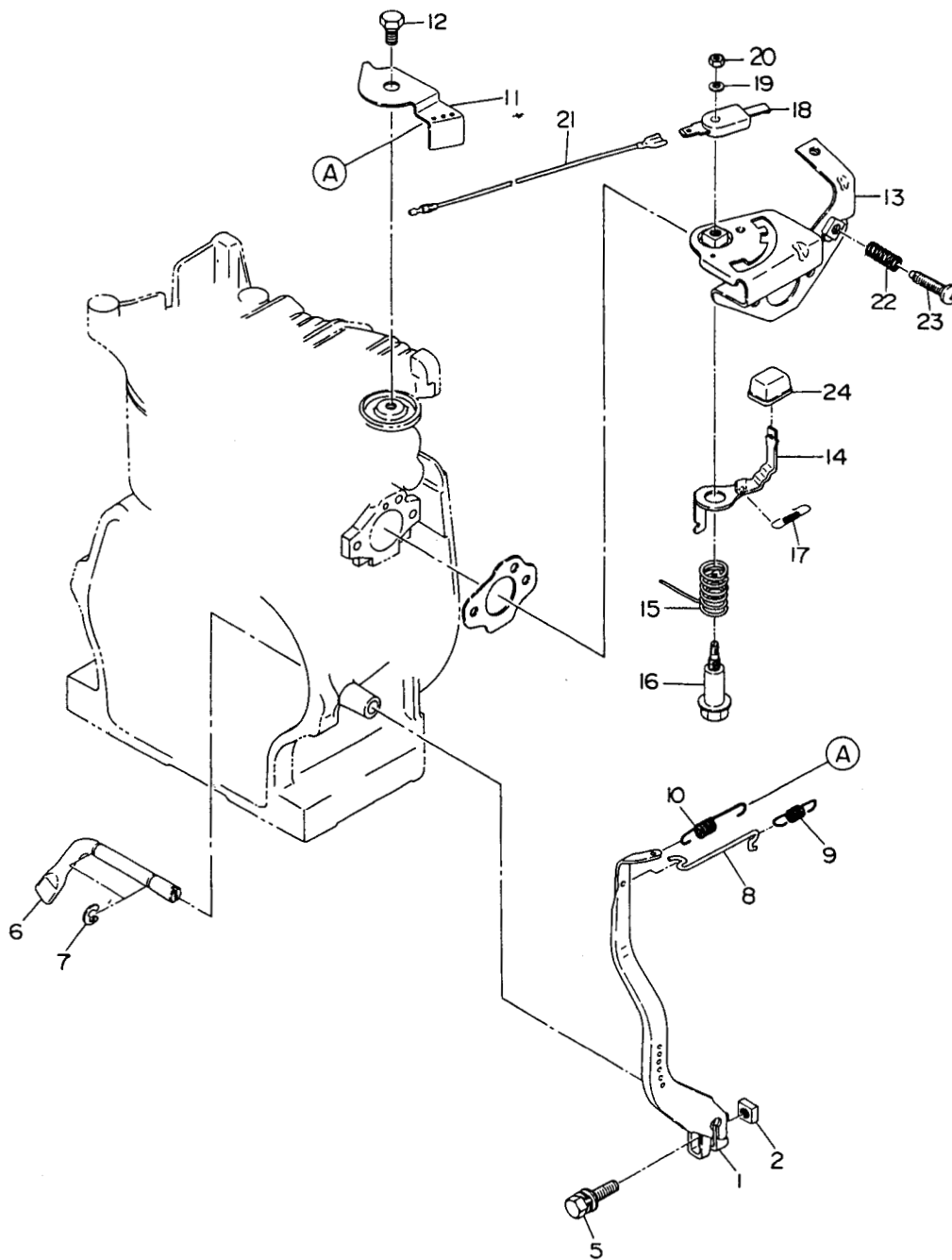


Fig.	Part No.	Qty. Used	Description
1	226-42304-01	1	GOVERNOR LEVER COMPL.
2	018-60600-20	1	NUT
5	001-14062-50	1	BOLT & WASHER ASS'Y
6	227-42201-03	1	GOVERNOR SHAFT
7	003-13060-00	2	CLIP
8	227-42701-01	1	GOVERNOR ROD
9	227-42801-01	1	ROD SPRING
10	226-42501-13	1	GOVERNOR SPRING
11	226-43304-01	1	SPEED CONTROL
12	226-48003-01	1	BOLT
13	226-47101-11	1	CONTROL BRACKET COMPL.

Fig.	Part No.	Qty. Used	Description
14	226-45301-11	1	CONTROL LEVER
15	226-45004-01	1	SPRING
16	226-48001-01	1	BOLT
17	226-48005-13	1	SPRING
18	226-72702-01	1	STOP SWITCH COMPL.
19	003-10040-00	1	WASHER
20	002-17040-00	1	NUT
21	226-73110-01	1	WIRE 10 COMPL.
22	226-48006-03	1	SPRING
23	226-48004-01	1	SCREW
24	226-43901-13	1	KNOB

8) BLOWER HOUSING and MUFFLER

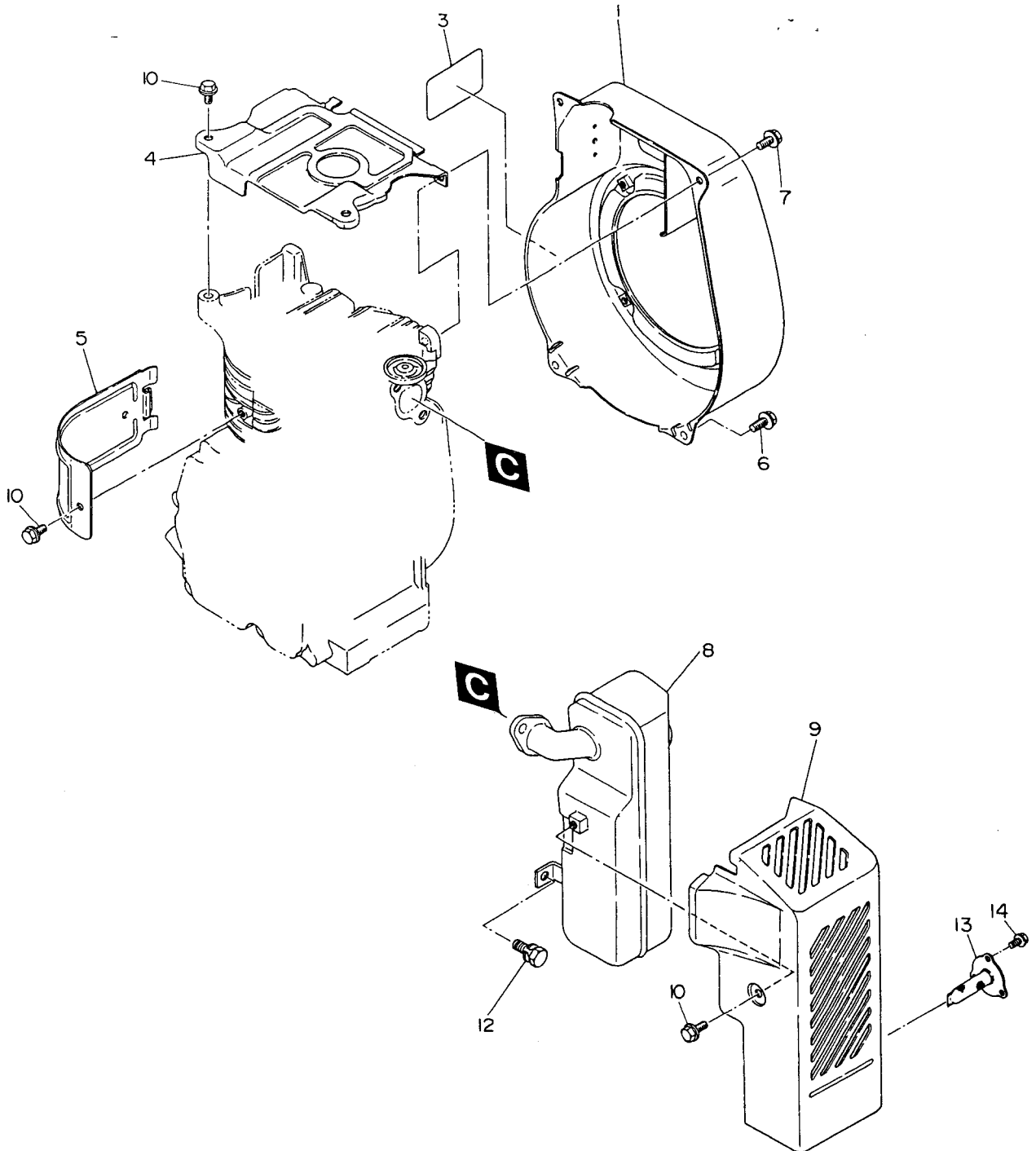


Fig.	Part No.	Qty. Used	Description	Fig.	Part No.	Qty. Used	Description
1	226-51240-06	1	BLOWER HOUSING	8	226-30302-01	1	MUFFLER COMPL.
3	073-20025-90	1	OIL LABEL	9	226-34206-11	1	MUFFLER COVER COMPL.
4	226-52803-03	1	HEAD COVER	10	011-00600-10	7	FLANGE BOLT
5	226-52602-03	1	CYLINDER BAFFLE	12	013-50600-10	1	BOLT & WASHER ASS'Y
6	011-00600-20	2	FLANGE BOLT	13	226-36502-01	1	SPARK ARRESTER COMPL.
7	011-00600-30	1	FLANGE BOLT	14	015-20500-20	3	TAPPING SCREW

9) CARBURETOR and AIR CLEANER

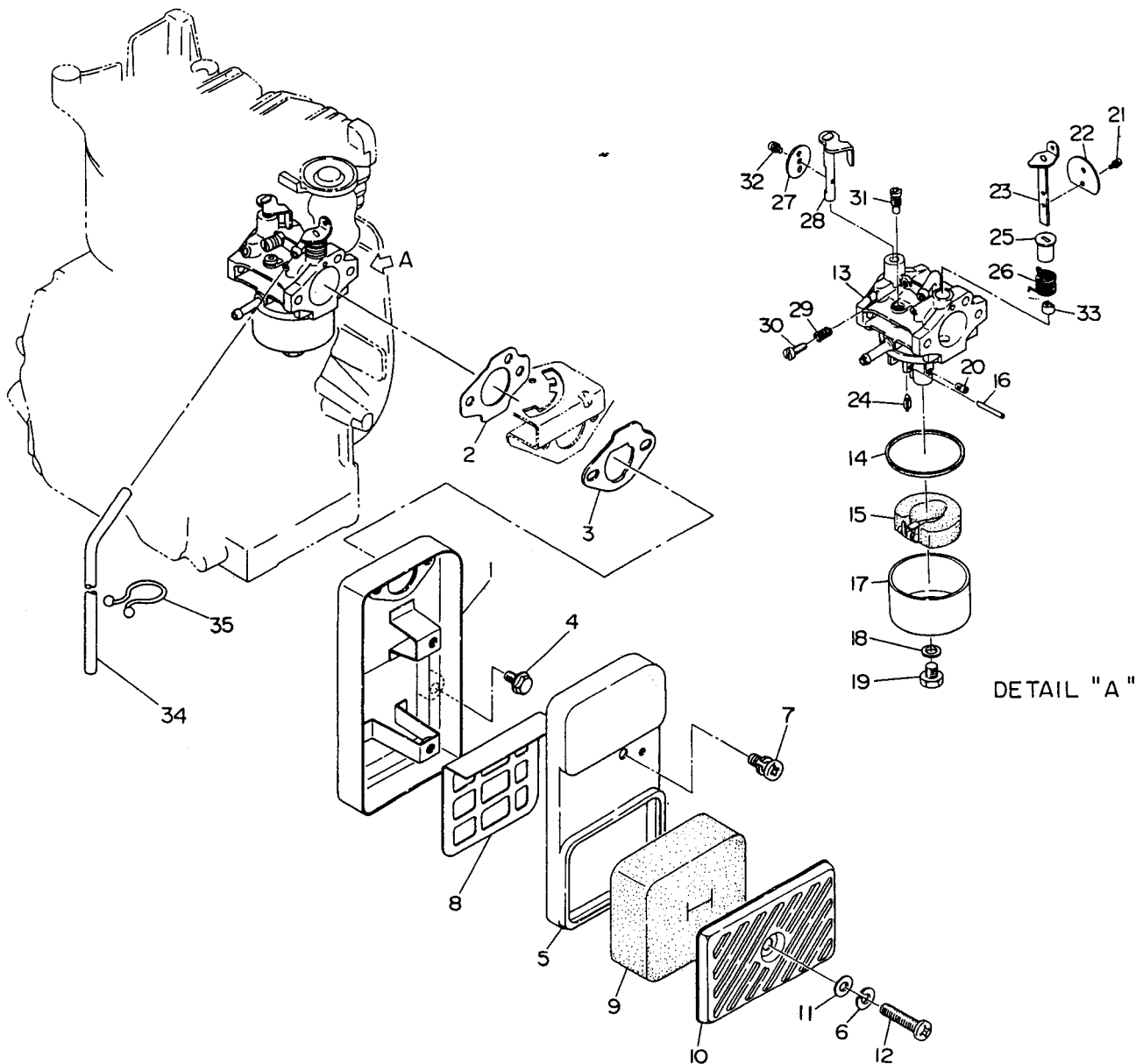


Fig.	Part No.	Qty. Used	Description	Fig.	Part No.	Qty. Used	Description
1	227-32612-00	1	CLEANER COMPL. (INCL. FIG. 5,10)	18	214-62450-08	1	PACKING
2	227-36003-13	1	GASKET	19	227-62451-08	1	BOLT
3	227-36004-13	1	GASKET	20	226-62403-08	1	MAIN JET (#70)
4	011-00600-30	1	FLANGE BOLT	21	237-62451-08	2	SCREW
5	227-32612-00	1	CLEANER COMPL. (INCL. FIG. 1,10)	22	226-62525-08	1	CHOKE VALVE
6	003-20060-00	1	SPRING WASHER	23	226-62522-08	1	CHOKE LEVER
7	004-35061-00	1	SCREW & WASHER ASS'Y	24	226-62500-08	1	NEEDLE VALVE ASS'Y
8	226-36003-03	1	ELEMENT RETAINER	25	226-62553-08	1	RING
9	226-36004-03	1	ELEMENT	26	226-62540-08	1	SPRING
10	227-32612-00	1	CLEANER COMPL. (INCL. FIG. 1,5)	27	214-62535-08	1	THROTTLE VALVE (#165)
11	003-10060-00	1	WASHER	28	226-62530-08	1	SHAFT ASS'Y
12	014-10600-30	1	SCREW	29	209-62445-08	1	SPRING
13	226-62307-20	1	CARBURETOR ASS'Y (INCL. FIG. 14-33)	30	209-62352-08	1	SCREW
14	214-62540-08	1	FLOAT CHAMBER PACKING	31	207-62420-08	1	PILOT JET (#40)
15	226-62506-08	1	FLOAT ASS'Y	32	150-62356-08	1	SCREW
16	214-62515-08	1	FLOAT PIN	33	226-62550-08	1	RING
17	227-62558-08	1	FLOAT CHAMBER BODY	34	085-10400-00	1	AIR VENT PIPE
				35	217-75002-03	1	PURSE LOCK (B)

10) MAGNETO

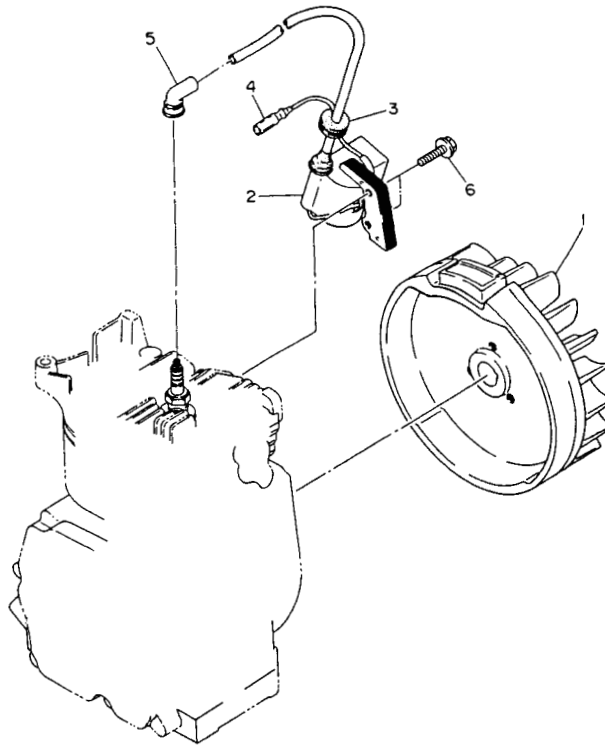


Fig.	Part No.	Qty. Used	Description	Fig.	Part No.	Qty. Used	Description
1	226-70201-20	1	MAGNETO ASS'Y (INCL. FIG. 1-4)	4	226-70236-08	1	CORD COMPL.
1	226-70120-18	1	FLYWHEEL	5	065-50001-10	1	SPARK PLUG CAP
2	226-70130-38	1	IGNITION COIL (INCL. FIG. 3)	6	011-00601-21	2	FLANGE BOLT
3	226-70245-08	1	GROMMET				

11) RECOIL STARTER

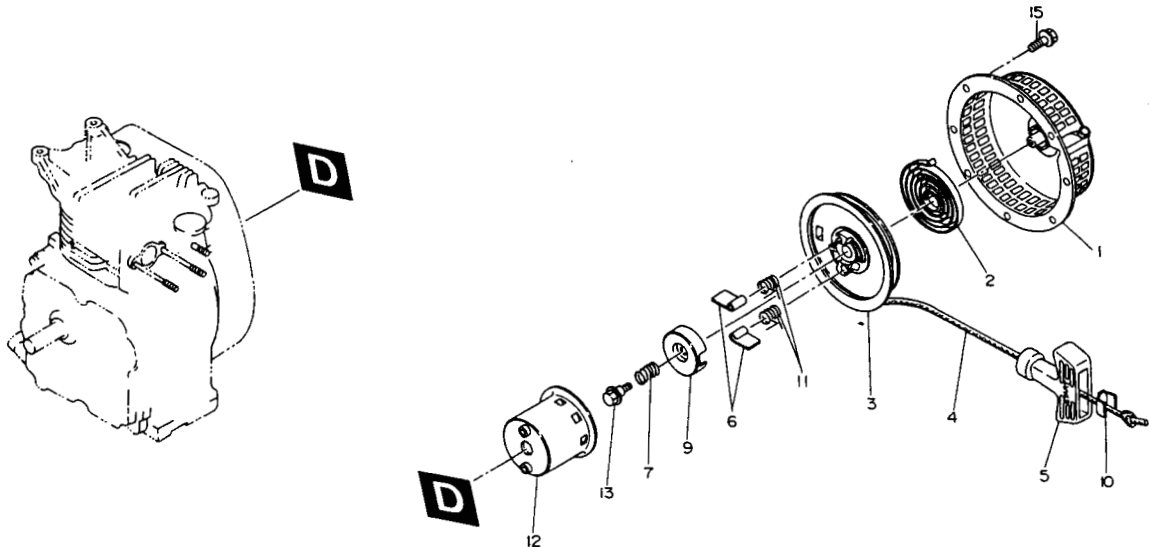


Fig.	Part No.	Qty. Used	Description	Fig.	Part No.	Qty. Used	Description
1	226-50711-00	1	RECOIL STARTER ASS'Y (INCL. FIG. 2-13)	7	226-50730-08	1	FRICTION SPRING
2	226-50715-08	1	SPIRAL SPRING	9	226-50740-08	1	FRICTION PLATE
3	226-50720-08	1	REEL	10	226-50750-08	1	KNOB CAP
4	226-50710-18	1	STARTER ROPE	11	226-50752-08	2	RATCHET SPRING
5	226-50700-08	1	STARTER KNOB	12	226-50745-08	1	STARTING PULLEY
6	226-50725-08	2	RATCHET	13	226-50751-08	1	CENTER SCREW
				15	011-00600-10	4	FLANGE BOLT

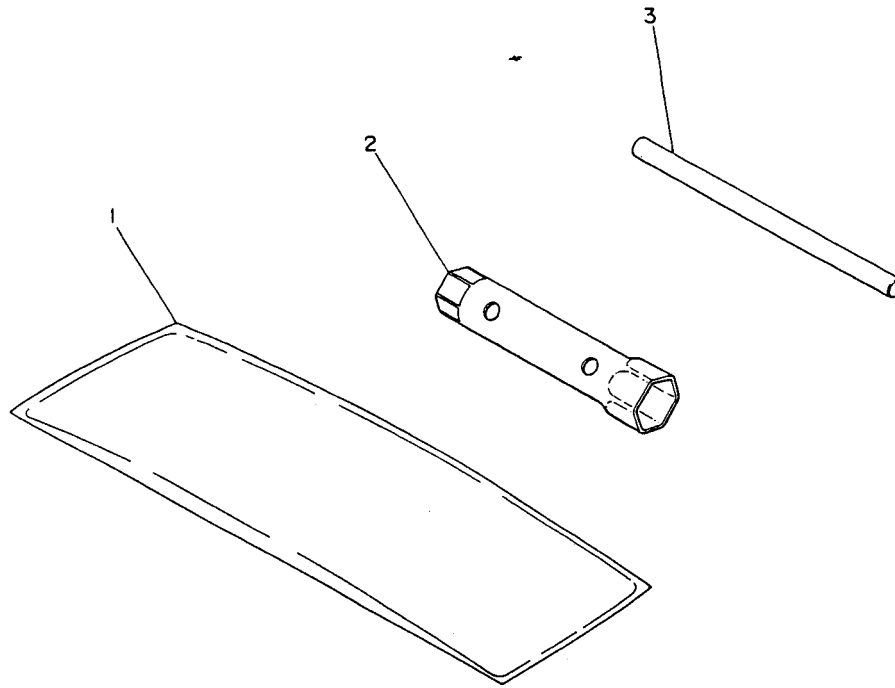


Fig.	Part No.	Qty. Used	Description
1	227-90304-00	1	TOOL KIT (INCL. FIG. 2,3)