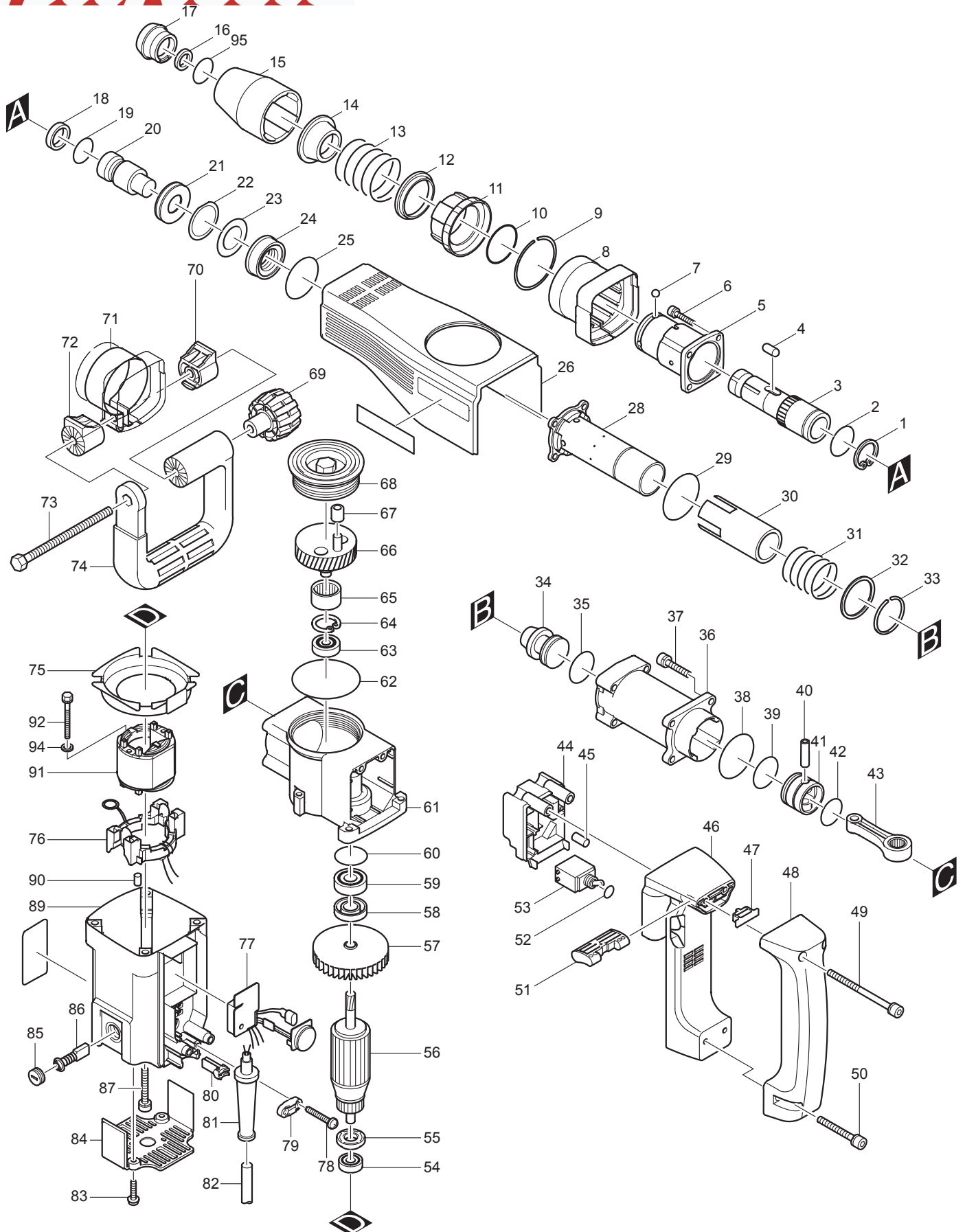




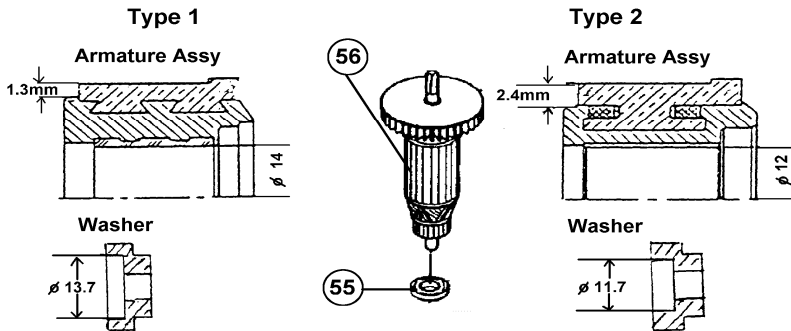
03 - 2010
HM1100C
DEMOLITION HAMMER



SERVICE CHANGES

1. Changes on Insulation Washer

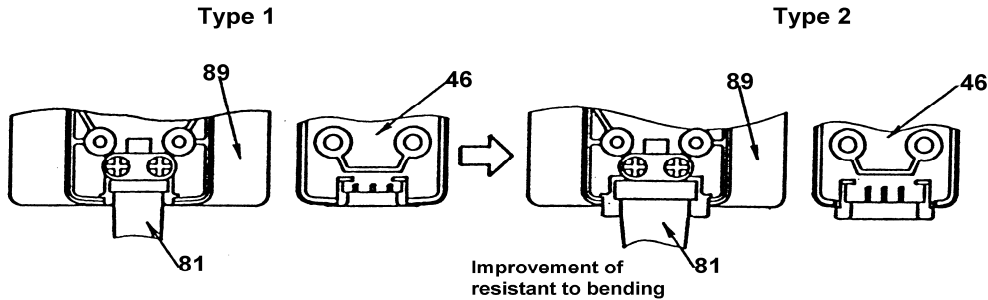
Item No.	Description	Type 1	Type 2
55	Insulation Washer	681637-8	681650-6
56	Armature Assy	516286-1	



2. Changes on Contorller Cover, Cord Guard and Motor Housing Complete

Item No.	Description	Type 1	Type 2
46	Controller Cover	415696-8	417474-5
81	Cord Guard 10	682505-8	682560-0
89	Motor Housing Com	159919-1	152662-1

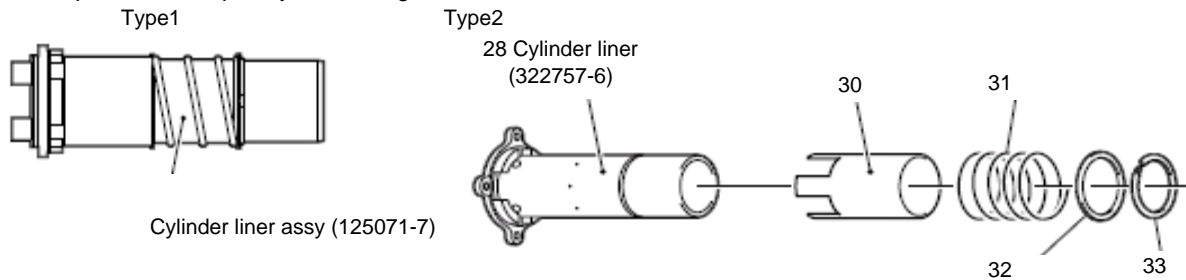
Above parts are completely interchangeable as a set.



3. Changes on Cylinder liner assy, Sleeve 39

Item No.	Description	Type 1	Type 2
28	Cylinder liner	125071-7 (Assy - N/L/A)	322757-6
30	Sleeve 39	-----	331486-0
31	Compression spring	-----	233190-6
32	Flat washer	-----	267156-4
33	Ring spring	-----	231971-2

Above parts are completely interchangeable as a set.

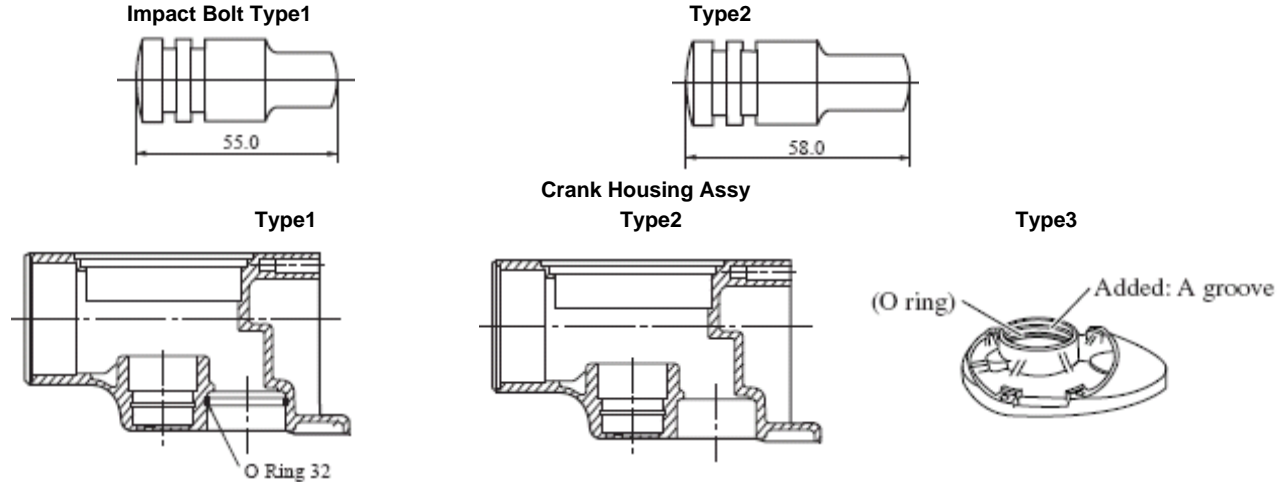


SERVICE CHANGES

4. Changes on Crank Housing Assy, etc.

Item No.	Description	Type 1	Type 2	Type 3
20	Impact Bolt	322906-5		323845-2
61	Crank Hsg Ass	134792-0		134875-6
60	O Ring 32	213459-4		-----

Above parts are completely interchangeable as a set.



5. Changes on Handle Spring and Handle Base, etc.

Item No.	Description	Type 1	Type 2	Type 3
70,72	Handle Base 60 Side Handle Cam	416010-1 (N/L/A)	416396-3	-----
71	Handle Spring 60 Side Handle Base 60 Com.	344379-2 (N/L/A)	344559-0 (N/L/A)	-----
74	Side Handle		416009-6 (N/L/A)	417003-1
A03	Side Handle Assy (Inc. Item No. 69 - 74)	-----	134793-8	134909-5

Above parts are completely interchangeable as a set.

