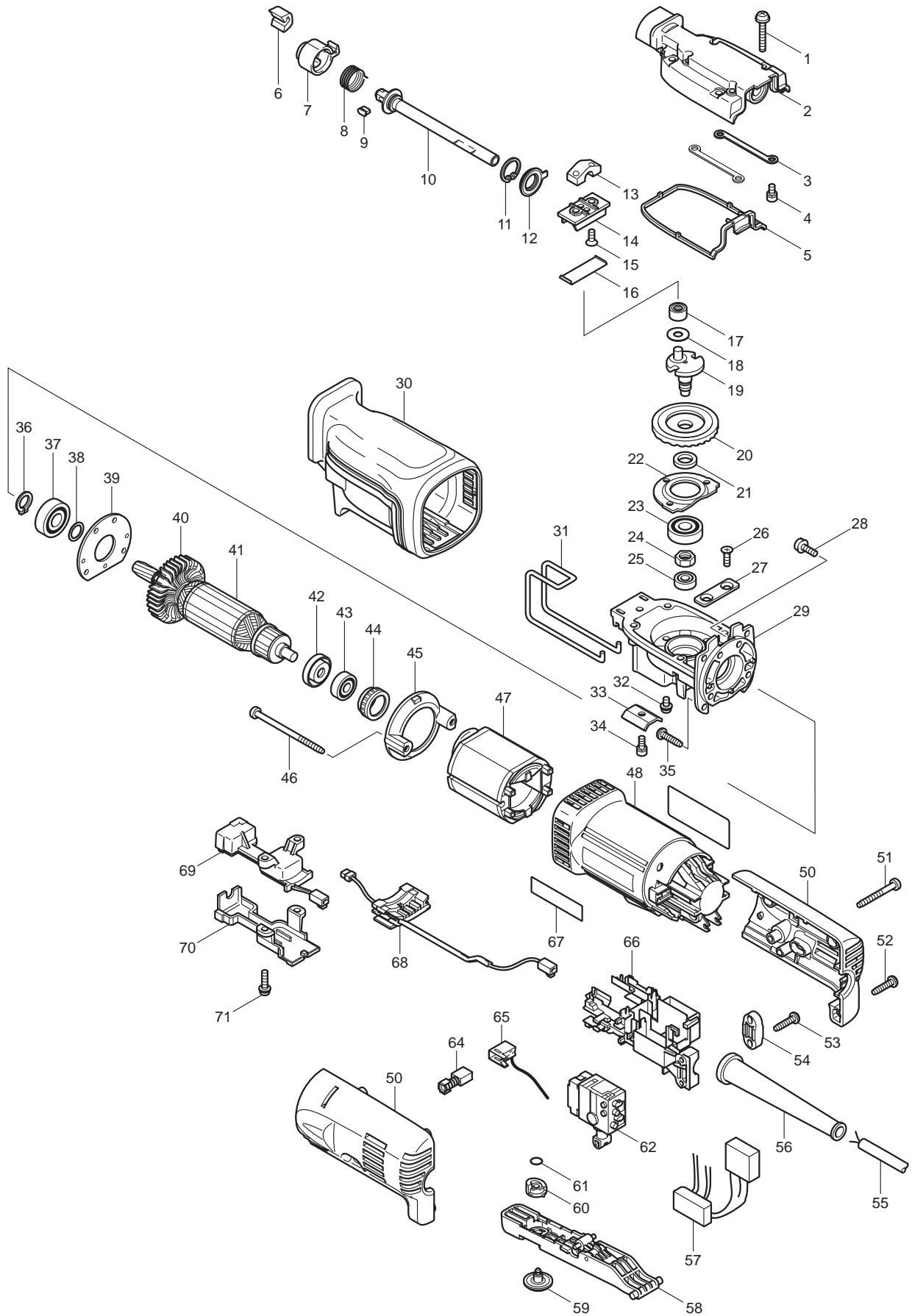




08 - 2008
JR1000FTK
RECIPRO SAW



Item No.	Part No.	Description	Q'ty	Unit
1	911148-2	PAN HEAD SCREW M4X25	4	PC.
2	153877-3	GEAR HOUSING COVER COMPLETE	1	PC.
3	345428-8	SLIDE PLATE	2	PC.
4	922106-3	HEX. SOCKET HEAD BOLT M4X8	4	PC.
5	421864-3	PACKING	1	PC.
6	418636-5	HOLDER COVER	1	PC.
7	310136-0	BLADE HOLDER	1	PC.
8	231660-9	TORSION SPRING 15	1	PC.
9	310135-2	PUSH PIN	1	PC.
10	165391-7	ROD	1	PC.
11	962068-3	RETAINING RING R-18	1	PC.
12	421817-2	DUST COVER	1	PC.
13	317787-0	HOLDER	1	PC.
14	310028-3	SLIDER	1	PC.
15	265035-0	COUNTERSUNK HEAD SCREW M4X10	2	PC.
16	344232-2	THRUST PLATE	1	PC.
17	212010-7	NEEDLE BEARING 607	1	PC.
18	253332-6	THIN WASHER 6	1	PC.
19	324435-4	GEAR SHAFT	1	PC.
20	227463-7	SPIRAL BEVEL GEAR 37	1	PC.
21	257151-2	RING 10	1	PC.
22	285713-6	BEARING RETAINER 37	1	PC.
23	211051-0	BALL BEARING 609LLB	1	PC.
24	931403-6	HEX. NUT M8	1	PC.
25	210006-2	BALL BEARING 696ZZ	1	PC.
26	912112-6	COUNTERSUNK HEAD SCREW M4X10	2	PC.
27	345429-6	PLATE	1	PC.
28	911516-9	PAN HEAD SCREW M4X12	4	PC.
29	317785-4	GEAR HOUSING	1	PC.
30	421865-1	INSULATION COVER	1	PC.
31	324436-2	SHOE	1	PC.
32	911506-2	PAN HEAD SCREW M4X8	3	PC.
33	345435-1	PLATE	1	PC.
34	922111-0	HEX. SOCKET HEAD BOLT M4X10	1	PC.
35	265995-6	TAPPING SCREW 4X18	4	PC.
36	961006-2	RETAINING RING S-10	1	PC.
37	210059-1	BALL BEARING 6000DDW	1	PC.
38	267070-4	FLAT WASHER 10	1	PC.
39	285714-4	BEARING RETAINER 43	1	PC.
40	240061-0	FAN 48	1	PC.
41	517601-2	ARMATURE ASS'Y 115V	1	PC.
	INC.	Item No. 40,42,43		
42	681636-0	INSULATION WASHER	1	PC.
43	211021-9	BALL BEARING 607LLB	1	PC.
44	421494-0	RUBBER RING 19	1	PC.
45	418033-5	BAFFLE PLATE	1	PC.
46	266315-7	TAPPING SCREW MT 4X65	2	PC.
47	635081-1	FIELD 115V	1	PC.
48	183560-8	MOTOR HOUSING	1	PC.
	INC.	Item No. 67		
50	183797-7	REAR COVER SET	1	PC.
51	266053-1	TAPPING SCREW 4X35	1	PC.
52	265995-6	TAPPING SCREW 4X18	3	PC.

(last update 06/07/2009)

Item No.	Part No.	Description	Q'ty	Unit
53	265995-6	TAPPING SCREW 4X18	2	PC.
54	687063-9	STRAIN RELIEF	1	PC.
55	664064-4	CORD W/PLUG 2P-18-2.5M, SJ	1	PC.
56	682559-5	CORD GUARD 8	1	PC.
57	631526-7	POWER SUPPLY CIRCUIT	1	PC.
58	153477-9	SWITCH LEVER COMPLETE	1	PC.
59	418037-7	SPEED CHANGE DIAL	1	PC.
60	418040-8	CAM	1	PC.
61	213034-6	O RING 3	1	PC.
62	650200-8	SWITCH TG803BA-1, S, NO LOCK, VS	1	PC.
64	191927-6	CARBON BRUSH CB-407, 2PCS/SET	1	SET
65	643806-9	BRUSH HOLDER	2	PC.
66	687139-2	SUPPORT	1	PC.
67	819063-3	MAKITA LABEL	1	PC.
68	638340-2	LEAD UNIT	1	PC.
69	631609-3	LED CIRCUIT	1	PC.
70	418637-3	LIGHT COVER	1	PC.
71	911128-8	PAN HEAD SCREW M4X16	2	PC.
100	654126-6	TAB	4	PC.
101	654128-2	EARTH TERMINAL	1	PC.
102	654501-6	CONNECTOR P-1.25	1	PC.
103	654593-5	SPLICE	2	PC.

ACCESSORIES

A01	410048-8	WRENCH HOLDER 3.4(Parts)	1	PC.
A02	783201-2	HEX. WRENCH 3	1	PC.
A03	824722-6	PLASTIC CARRYING CASE	1	PC.
	INC. 417059-4	LATCH	2	PC.
A04	A-40967	SANDING ADPTOR	1	PC.
A05	B-04977	SANDING PAPER WA60(10/PK)	1	PK.
	B-04983	SANDING PAPER WA120(10/PK)	1	PK.
A06	A-40945	ROUND FILE	1	PC.
	A-40951	FLAT FILE	1	PC.
A07	-----	JIG SAW BLADE - SEE CATALOGUE FOR EUROPEAN BLADES - TANG SHANK	1	SET

***INC.=INCLUDES**