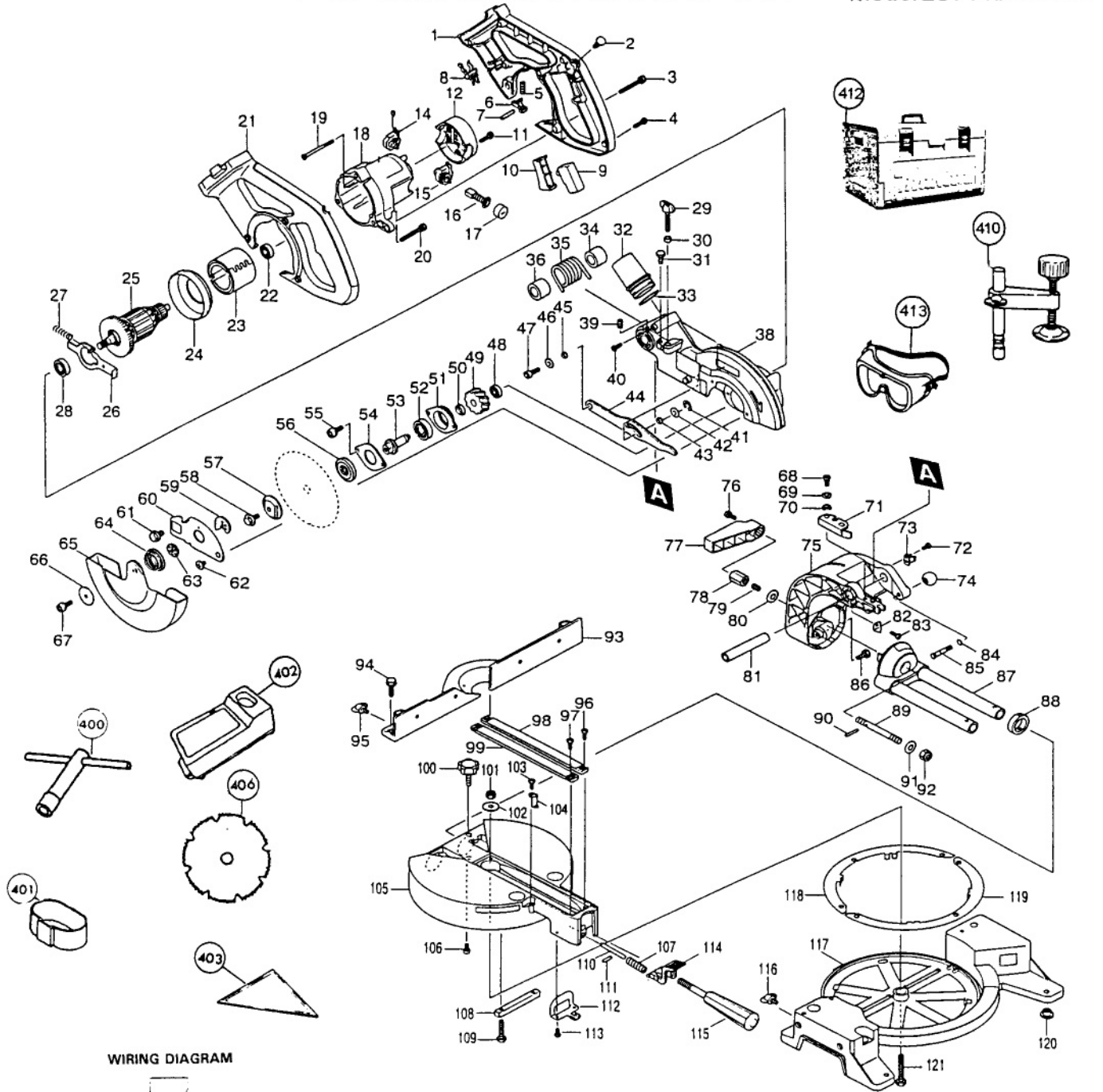




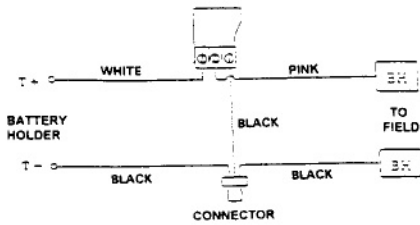
CORDLESS

7-1/2" (190mm) SLIDE COMPOUND SAW

Model LS711D  
Model LS711DZ  
Model LS711DWBEK



WIRING DIAGRAM



**IMPORTANT!** — To assure product **SAFETY** and **RELIABILITY**, repairs should be performed by **MAKITA** Service Centers or other qualified service organizations. Always use **MAKITA** replacement parts.

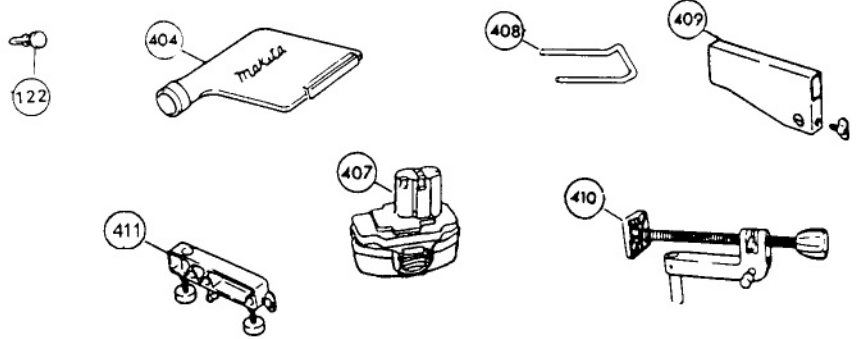


Fig.	Part No.	Qty. Used	Description	Fig.	Part No.	Qty. Used	Description
1	183166-2	1	HANDLE Set (Incl. Fig. 21)	61	265260-3	1	H. F. H. BOLT M6x12
2	411478-6	1	SWITCH BUTTON	62	265985-9	1	F. H. SCREW M5
3	911268-2	3	P.H.SCREW M5x45	63	344639-2	1	CENTER WASHER
4	265995-6	5	TAPPING SCREW 4x18	64	231934-8	1	SPIRAL SPRING 26
5	231026-3	1	COMPRESSION SPRING 4	65	416540-2	1	SAFETY COVER
6	416533-9	1	LOCK OFF LEVER	66	267136-0	1	FLAT WASHER 5
7	256098-7	1	PIN 5	67	911228-4	1	P.H. SCREW M5x18
8	643918-8	1	BATTERY HOLDER	68	251267-5	1	P. H. SCREW M6
9	651956-6	1	SWITCH	69	253835-0	1	FLAT WASHER 8
10	416534-7	1	SWITCH LEVER	70	253948-7	1	WAVE WASHER 8
11	265995-6	2	TAPPING SCREW 4x18	71	344643-1	1	STOPPER ARM
12	416639-3	1	REAR COVER	72	266026-4	1	T. SCREW BIND CT 4x12
14	643946-3	1	BRUSH HOLDER	73	416536-3	1	WRENCH HOLDER
15	643945-5	1	BRUSH HOLDER	74	271601-3	1	KNOB 20
16	191970-5	1	CARBON BRUSH Set CB-429	75	151677-5	1	ARM Cpl., (Incl. 816787-2 Indication Label)
17	643941-3	2	HOLDER CAP	76	911113-1	1	P. H. SCREW M4x10
18	416909-0	1	MOTOR HOUSING	77	416006-2	1	LEVER 100
19	266209-6	2	TAPPING SCREW 4x60	78	252144-4	1	HEX. NUT M10 -17
20	911268-2	3	P.H.SCREW M5x45	79	231266-3	1	COMPRESSION SPRING 5
21	183166-2	1	HANDLE Set (Incl. Fig. 1)	80	253024-7	1	FLAT WASHER 10
22	211026-9	1	BALL BEARING 627LLB	81	331350-5	1	PIPE 16-90
23	632828-4	1	YOKE UNIT	82	343678-9	1	POINTER
24	416907-4	1	BAFFLE PLATE	83	266026-4	1	T. SCREW BIND CT 4x12
25	519050-9	1	ARMATURE Ass'y (Incl. Fig. 22 & 28)	84	213021-5	1	O RING 5
26	344681-3	1	SHAFT LOCK	85	322338-6	1	STOPPER PIN
27	233092-6	1	COMPRESSION SPRING 5	86	265381-1	2	HEX. BOLT M6x16
28	211061-7	1	BALL BEARING 6000LLB	87	151678-3	1	ARM HOLDER Cpl., (Incl. 816338-1 Bevel Scale Label)
29	265710-8	1	THUMB SCREW M6x33	88	257214-4	1	RING 26
30	262001-8	1	URETHANE RING 5	89	266184-6	1	SCREW M10
31	265381-1	1	HEX. BOLT M6x16	90	256100-6	1	PIN 5
32	416133-5	1	DUST NOZZLE	91	253024-7	1	FLAT WASHER 10
33	213460-9	1	O RING 35	92	252130-5	1	HEX. LOCK NUT M10-17
34	416535-5	1	SLEEVE 17	93	317235-9	1	GUIDE FENCE
35	231638-2	1	TORSION SPRING 28	94	921341-0	3	HEX. BOLT M6x25
36	416535-5	1	SLEEVE 17	95	251887-5	1	SCREW M6x10
38	183165-4	1	BLADE CASE Set (Incl. 1 ea. 263002-9 Rubber Pin 4, 263005-3 Rubber Pin 6)	96	266026-4	2	T. SCREW BIND CT 4x12
39	251961-9	2	H. S. H. BOLT M6x10	97	266026-4	2	T. SCREW BIND CT 4x12
40	266061-2	1	T. SCREW BIND CT. 4x8	98	416539-7	1	KERF BOARD
41	961018-5	1	STOP RING E-5	99	416539-7	1	KERF BOARD
42	253804-1	1	FLAT WASHER 6	100	251897-2	1	SCREW M6x33
43	257163-5	1	RING 6	101	252105-4	1	HEX. LOCK NUT M8-13
44	344645-7	1	LINK PLATE	102	253731-2	1	FLAT WASHER 8
45	257163-5	1	RING 6	103	266026-4	1	T. SCREW BIND CT 4x12
46	253804-1	1	FLAT WASHER 6	104	416355-7	1	INDICATION PLATE
47	922331-6	1	H. S. H. BOLT M6x20	105	151839-5	1	TURN BASE Cpl. (Incl. 2 ea. 211376-2 Linear Ball Bearing Ring 2560; 4ea. 262077-5 Felt Ring 25; 1ea. 263005-3 Rubber Pin 6; & 2ea. 344638-4 Cap 35)
48	211021-9	1	BALL BEARING 607LLB	106	922111-0	1	H. S. H. BOLT M4x10
49	226512-7	1	HELICAL GEAR 60	107	231325-3	1	COMPRESSION SPRING 6
50	257011-8	1	RING 12	108	152593-4	1	SQUARE ROD Cpl., (Incl. 263005-3 Rubber Pin 6)
51	317193-9	1	BEARING BOX	109	925251-3	2	HEX. BOLT M5x30
52	211129-9	1	BALL BEARING 6201DDW	110	323741-4	1	LOCK PIN
53	323798-5	1	SPINDLE	111	256158-5	1	PIN 3
54	285694-4	1	BEARING RETAINER 58	112	344601-7	1	LOCK PLATE
55	911223-4	2	P.H. SCREW M5x16	113	266026-4	2	T. SCREW BIND CT 4x12
56	224151-7	1	INNER FLANGE 40				
57	224275-9	1	OUTER FLANGE 40				
58	265461-3	1	HEX. BOLT M6x18				
59	344640-7	1	CENTER PLATE				
60	344641-5	1	CENTER COVER				

Fig.	Part No.	Qty. Used	Description	Fig.	Part No.	Qty. Used	Description
114	416450-3	1	LOCK LEVER	401	414938-7	1	BATTERY COVER
115	273515-2	1	GRIP 32	402	DC1801	1	BATTERY CHARGER
116	251887-5	2	SCREW M6x10	403	762001-3	1	TRIANGULAR RULE
117	151837-9	1	BASE Cpl.,(Incl. 816339-9 Miter Scale Plate)	404	122523-9	1	DUST BAG Ass'y (Incl. 410602-8 Fastener)
118	344646-5	1	SLIDE PLATE	405	122571-8	1	VICE Ass'y
119	344646-5	1	SLIDE PLATE	406	A-90576	1	T.C.T.SAWBLADE
120	286212-1	5	CAP 20	407	192829-9	2	BATTERY 1833
121	921472-5	1	HEX. BOLT M8x50	408	322312-4	2	HOLDER
122	411478-6	2	SWITCH BUTTON	409	122472-0	1	SET PLATE Ass'y
				410	122567-9	1	HORIZONTAL VISE Ass'y
				411	192713-8	1	HOLDER Set
				412	824568-0	1	PLASTIC TOOL CASE (Incl. 416401-6 Latch)
				413	191686-2	1	SAFETY GOGGLES
<b>ACCESSORIES</b>							
400	782223-9	1	BOX WRENCH				

01-00

3 LS711D  
LS711DZ  
LS711DWBEK