

KEY NO.	TORQUE
17	95 to 105 in. lbs.
18	SNUG
23	50 TO 60 in. lbs.

IMPORTANT — To assure product SAFETY and RELIABILITY, repairs, maintenance or adjustments should be performed by MAKITA Service Centers or other qualified service organizations. Always use MAKITA replacement parts.

Fig.	Part No.	Qty. Used	Description	Fig.	Part No.	Qty. Used	Description
1	CAC-1080	1	TOOLTRAY	22	SSW-7367	2	STRAIN RELIEF BUSHING
2	AC-0046	1	REAR SHROUD	23	SSF-607	4	SCREW
3	SS-655-ZN	2	HEX NUT 1/4" 20 UNC	24	036003-1	1	COUPLER 1/4-18 NPT
4	CAC-1121	2	SHROUD BRACKET	25	CAC-4296-1	1	REGULATOR WITH SNAP
5	AC-0426	1	PUMP ASSEMBLY	26	AC-0266	2	GAUGE
6	SSF-1001-1	2	SCREW 10-32	28	AC-0197-2	1	MANIFOLD SWITCH
7	SSP-7813	1	NUT SLEEVE ASS'Y 3/8"	29	SUDL-403-1	1	POWER CORD ASSEMBLY
8	AC-0406	1	OUTLET TUBE	30	SSP-6021	1	REDUCER BUSHING
9	SSF-3156	2	SCREW 10-9X.50	31	SSG-3105	1	O-RING
11	AC-0261	1	HANDLE GRIP	32	ACG-19	3	ISOLATOR
12	SSP-7811	2	NUT SLEEVE ASS'Y 1/4"	33	AC-0253	1	SOLBERG FILTER
13	SS-8553	1	CONNECTOR BODY	34	AC-0400	1	FRONT SHROUD
14	CAC-4290-3	1	CHECK VALVE	35	AC-0403	1	HEAD COVER
15	AC-0249	1	PRESSURE RELIEF TUBE	36	SSP-7821-1	1	NUT
16	ACG-18	2	CUP SADDLE MOUNT	37	AC-0270	1	PLUG
17	91895680	2	SCREW 1/4-20 X .75	38	CAC-1419	1	PRESSURE SWITCH COVER
18	SSF-953-ZN	1	SCREW 10 X 5/8	39	AC-0397	1	FINGER GUARD
19	SSP-480	1	NIPPLE	40	AC-0276	1	DRAIN VALVE
20	SST-5314-1	4	RUBBER BUMPER	41	AC-0231	1	NIPPLE
21	TIA-4150	1	SAFETY VALVE				

PUMP & MOTOR ASSEMBLY

KEY NO.	TORQUE
55	100 to 120 in. lbs.
56	100 to 120 in. lbs.
66	100 to 120 in. lbs.
69	100 to 120 in. lbs.
70	50 to 60 in. lbs.
◆	42 to 48 in. lbs.

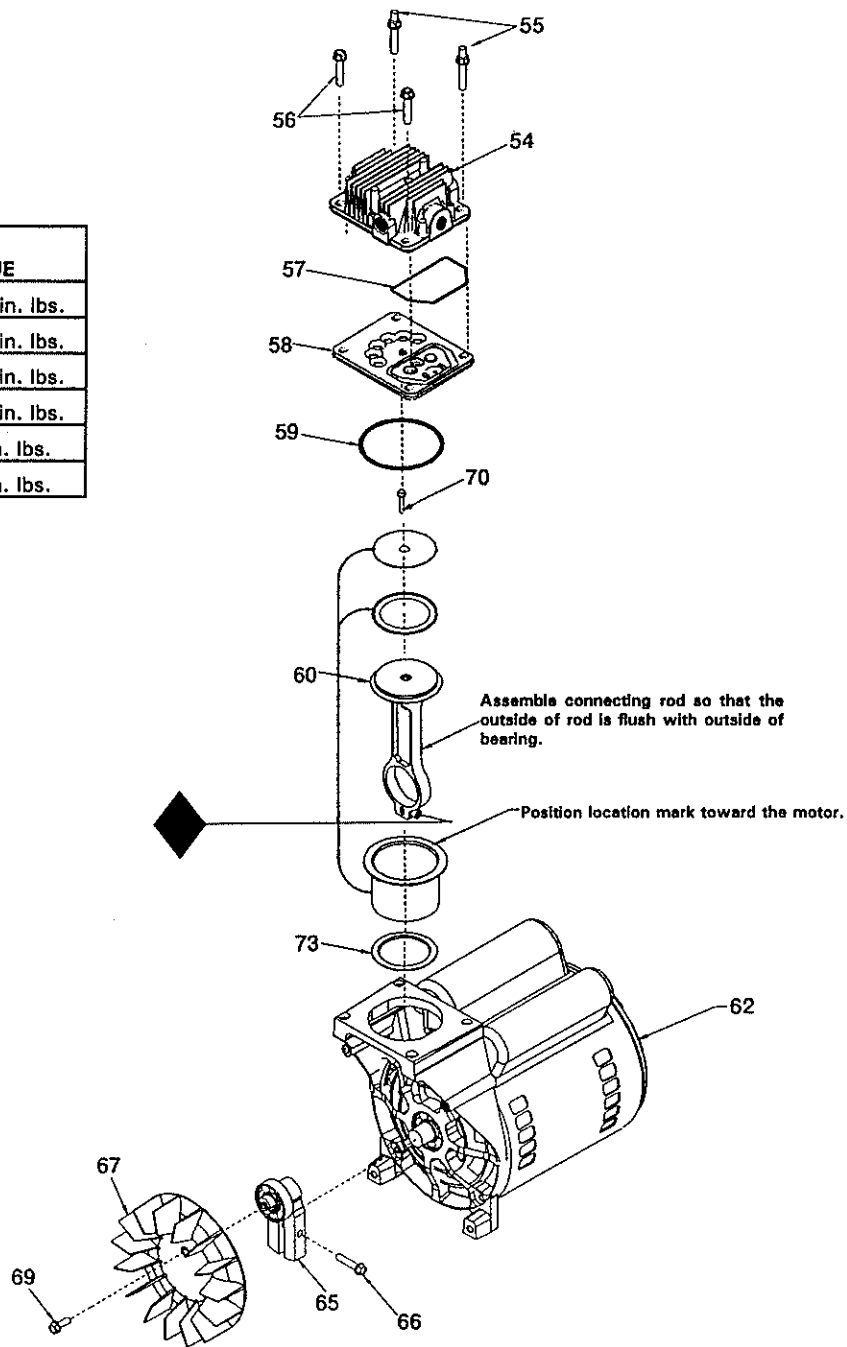


Fig.	Part No.	Qty. Used	Description	Fig.	Part No.	Qty. Used	Description
54	AC-0252	1	HEAD	62	MO-9045	1	MOTOR
55	SSF-589	2	STUD 1/4"-20 X 1-1/4"	65	AC-0140	1	ECCENTRIC FLYWHEEL BEARING ASS'Y
56	SSF-927	2	SCREW 1/4"-20 X 1-1/4"	66	SSF-615	1	SCREW 1/4"-20 UNC 2A
57	ACG-45	1	O-RING	67	AC-0108	1	FAN
58	AC-0032	1	VALVE PLATE ASSEMBLY (INCL. VALVES, RESTRICTORS, AND SCREWS)	69	SSF-586	1	SCREW 1/4"-20 UNC X .75
59	SSG-8156	1	O-RING	70	SSF-3158-1	1	SCREW 10-24 X .75 T25 TORX
60	KK-4835	1	PISTON/CYLINDER KIT (INCL. 57, 59, 70)	73	DAC-161	1	SHIM
				*	KK-4315	1	PRESSURE RELIEF VALVE
				*	AC-0281	1	AIR FILTER REPLACEMENT