



# PUMP/MOTOR ASSEMBLY

KEY NO.	TORQUE
55	100 to 120 In. Lbs.
56	100 to 120 In. Lbs.
66	100 to 120 In. Lbs.
69	100 to 120 In. Lbs.
70	50 to 60 In. Lbs.
◆	42 to 48 In. Lbs.

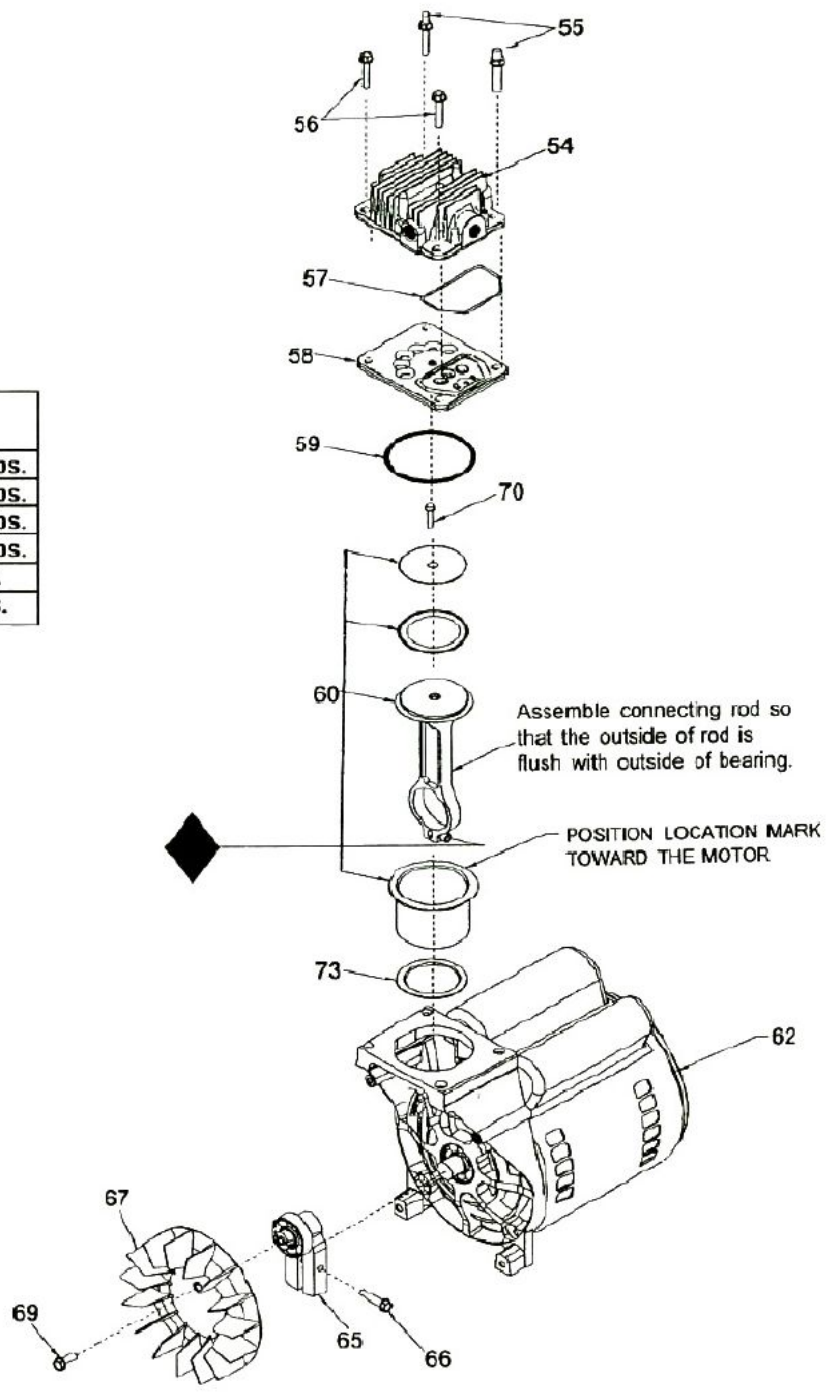


Fig.	Part No.	Qty. Used	Description	Fig.	Part No.	Qty. Used	Description
54	AC-0236	1	HEAD	65	AC-0140	1	ECCENTRIC BEARING Ass'y
55	SSF-589	2	STUD 1/4-20 x 1.125	66	SSF-615	1	SCREW 1/4 - 20 UNC-2A
56	SSF-927	2	SCREW 1/4 - 20 x 1.125	67	AC-0108	1	FAN
57	ACG-45	1	O-RING	69	SSF-586	1	SCREW 1/4-20 UNC x .75
58	AC-0032	1	VALVE PLATE Ass'y	70	SSF-3158-1	1	SCREW 10-24 x .75 T25 TORX
59	SSG-8156	1	O-RING	73	DAC-161	1	SHIM
60	KK-4835	1	PISTON/CYLINDER Kit (Incl. Fig. 57, 59, 60 & 70)	*	KK-4315	1	PRESSURE RELIEF VALVE
62	MO-9045	1	MOTOR	*	AC-0281	1	AIR FILTER REPLACEMENT