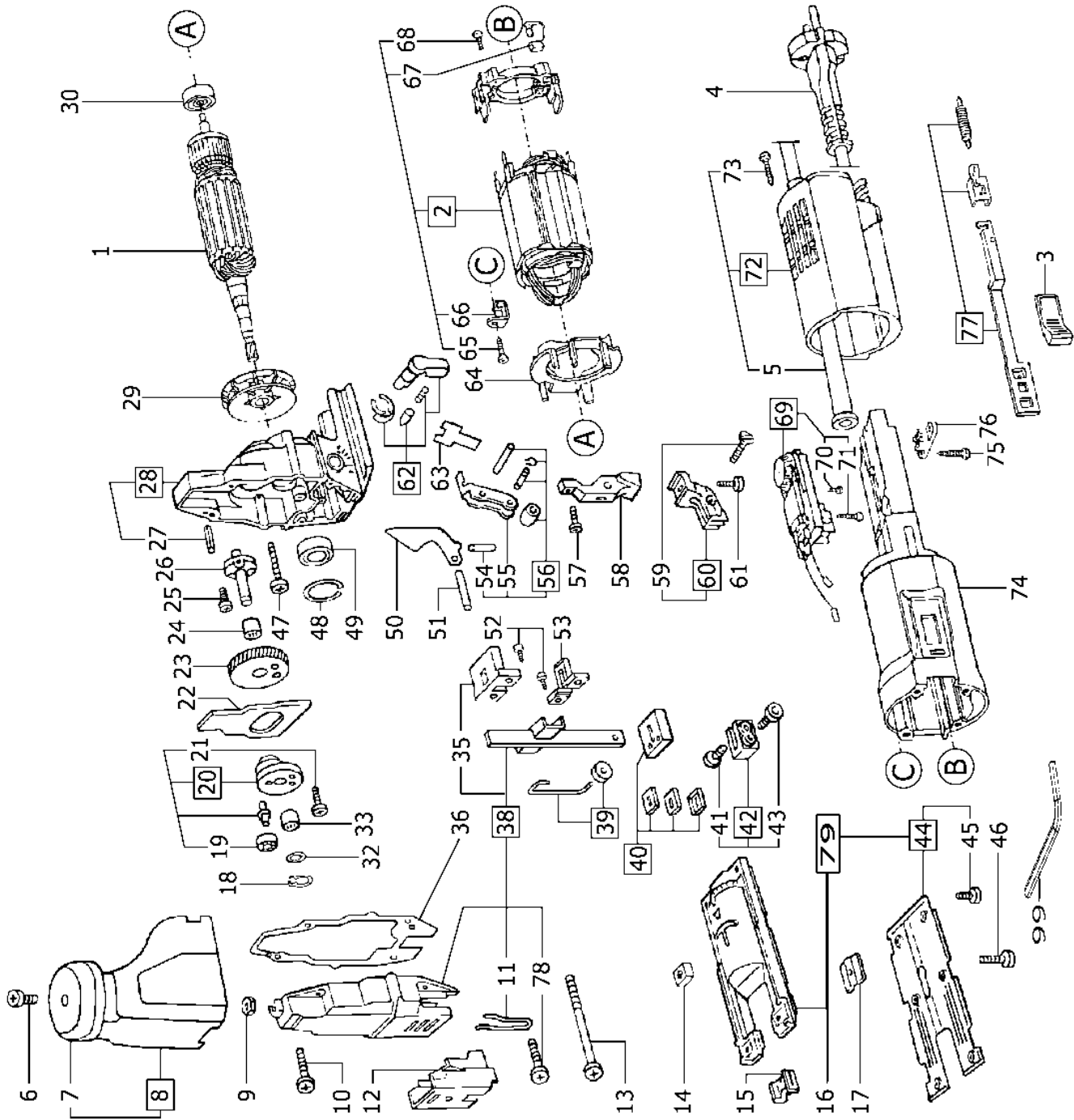


488386\_USA - PS 2 E 120V



Pos	Part No.	Description	Quantity	Price excl VAT	Price incl VAT	Currency	storage location	Warranty
2	488390	Field 120V	1	36.40		USD		
3	446002	Slide switch	1	0.91		USD		
4	450271	Mains cable CAN	1	17.81		USD		
5	450353	Cable grommet	1					
6	203806	Raised-head screw M4 x 8	1	0.85		USD		
7	442506	Cap	1	2.21		USD		
8	487849	Cap	1	18.14		USD		
9	200715	Hexagon nut M4	1	0.85		USD		

10	228509	Raised-head screw M4 x 12	2	0.85	USD		
11	449929	Bracket	1	1.82	USD		
12	448596	Chip guard	1				
13	400005	Raised-head screw 3,5 x 50 mm	2	0.85	USD		
14	228520	Nut; M5	1	0.85	USD		
15	483372	Splinter guard	1				
16	445421	Base	1	14.04	USD		
17	442507	Lug support	1	1.04	USD		
18	200617	Snap ring	1	0.85	USD		
19	400004	Ball bearing	1	7.80	USD		
20	487842	Cam	1	42.06	USD		
21	400096	Cheese head screw M4 x 16	2	0.85	USD		
22	442494	Weight	2	15.15	USD		
23	444805	Gear	1	30.55	USD		
24	400008	Needle sleeve	1	2.93	USD		
25	228582	Raised-head screw M4 x 10	3	0.85	USD		
26	442496	Flange	1	20.09	USD		
27	402926	Sleeve   Outlet part >10years	2	0.85	USD		
28	487851	Gear housing	1	43.68	USD		
29	485108	Fan	1	2.86	USD		
30	228672	Ball bearing	1	3.45	USD		
32	400009	Supporting ring	1	0.85	USD		
33	400008	Needle sleeve	1	2.93	USD		
35	453072	Bearing	1	8.91	USD		
36	442557	Gasket	1	0.91	USD		
38	489230	Gear cover   Outlet part >10years	1	68.12	USD		
39	487844	Roller	1	8.52	USD		
40	485737	Gasket	1	9.36	USD		
41	400095	Cheese head screw M5 x 12	1	0.85	USD		
42	487845	Clamp shoe	1	22.88	USD		
43	204482	Cheese head screw M5 x 8	1	0.85	USD		
44	487841	Sole   Outlet part >10years	1	7.48	USD		
45	400062	Screw; M4x7	6	0.85	USD		
46	228643	Cheese head screw M5 x 16	1	0.85	USD		
47	228663	Screw; PT 3.5x16; K-Torx	2	0.85	USD		
48	204471	Snap ring	1	0.85	USD		
49	228559	Ball bearing	1	2.99	USD		
50	442493	Pendulum drive	1	2.54	USD		
51	203748	Cylinder pin	1	0.85	USD		
52	228509	Raised-head screw M4 x 12	4	0.85	USD		
53	448475	Bearing	1	10.34	USD		
54	200757	Cylinder pin	1	0.85	USD		
55	442500	Holder	1	7.61	USD		
56	487846	Roller	1	18.94	USD		
57	228509	Raised-head screw M4 x 12	1	0.85	USD		
58	442501	Holder	1	3.51	USD		
59	400077	Cheese-head countersunk screw M3 x 8   Auslaufteil >10Jahre	1	0.85	USD		
60	487847	Hard metal holder	1	24.22	USD		
61	228509	Raised-head screw M4 x 12	1	0.85	USD		
62	487848	Pendulum control lever	1	19.96	USD		
63	442480	Cover	1	0.85	USD		

64	451173	Air guide washer	1	2.21	USD		
65	228717	Raised-head screw 3,0 x 12 mm	1	0.85	USD		
66	439918	Clamp lever	1	0.91	USD		
67	492629	Shut-off brush (pair)	1	7.74	USD		
68	447573	Raised-head screw 1,8 x 10 mm	2	0.85	USD		
69	488391	Control electronics 120V	1	58.18	USD		
70	228718	Raised-head screw M3 x 6,5	2	0.85	USD		
71	228663	Screw; PT 3.5x16; K-Torx	1	0.85	USD		
72	488947	Cap CAN	1	16.19	USD		
73	445743	Raised-head screw 3,5 x 20 mm	2	0.85	USD		
74	487146	Motor housing	1	10.86	USD		
75	228663	Screw; PT 3.5x16; K-Torx	2	0.85	USD		
76	439662	Cable clamp	1	0.85	USD		
77	487794	Switch linkage	1	5.98	USD		
78	400440	Raised-head screw M4 x 4	1	0.85	USD		
79	487085	Base   Outlet part >10years	1	24.05	USD		
99	202751	Screwdriver SW 4	1	0.85	USD		