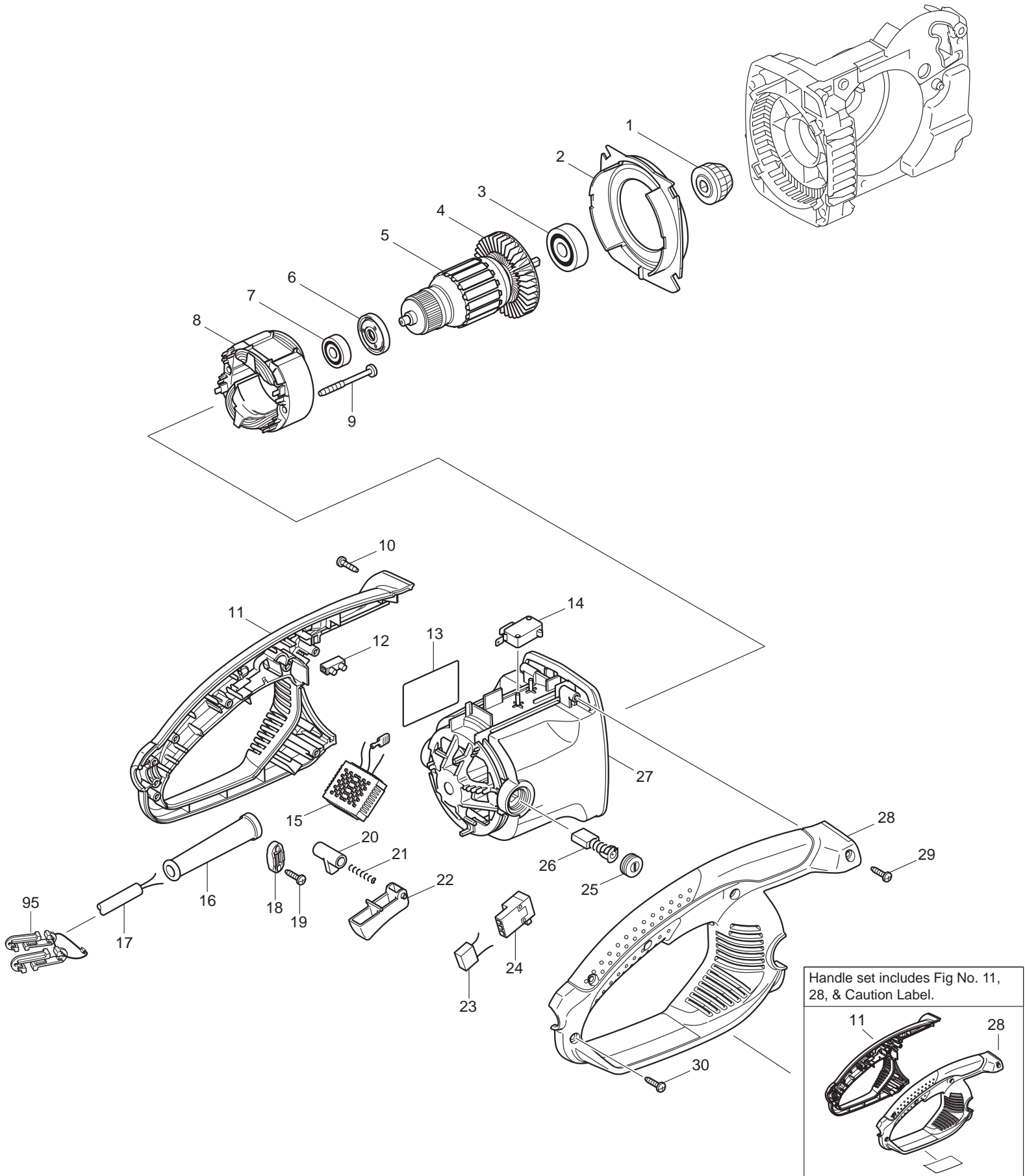




PARTS BREAKDOWN

rev 1_12/13/2011

UC3530A
UC4030A



Handle set includes Fig No. 11, 28, & Caution Label.

11 28

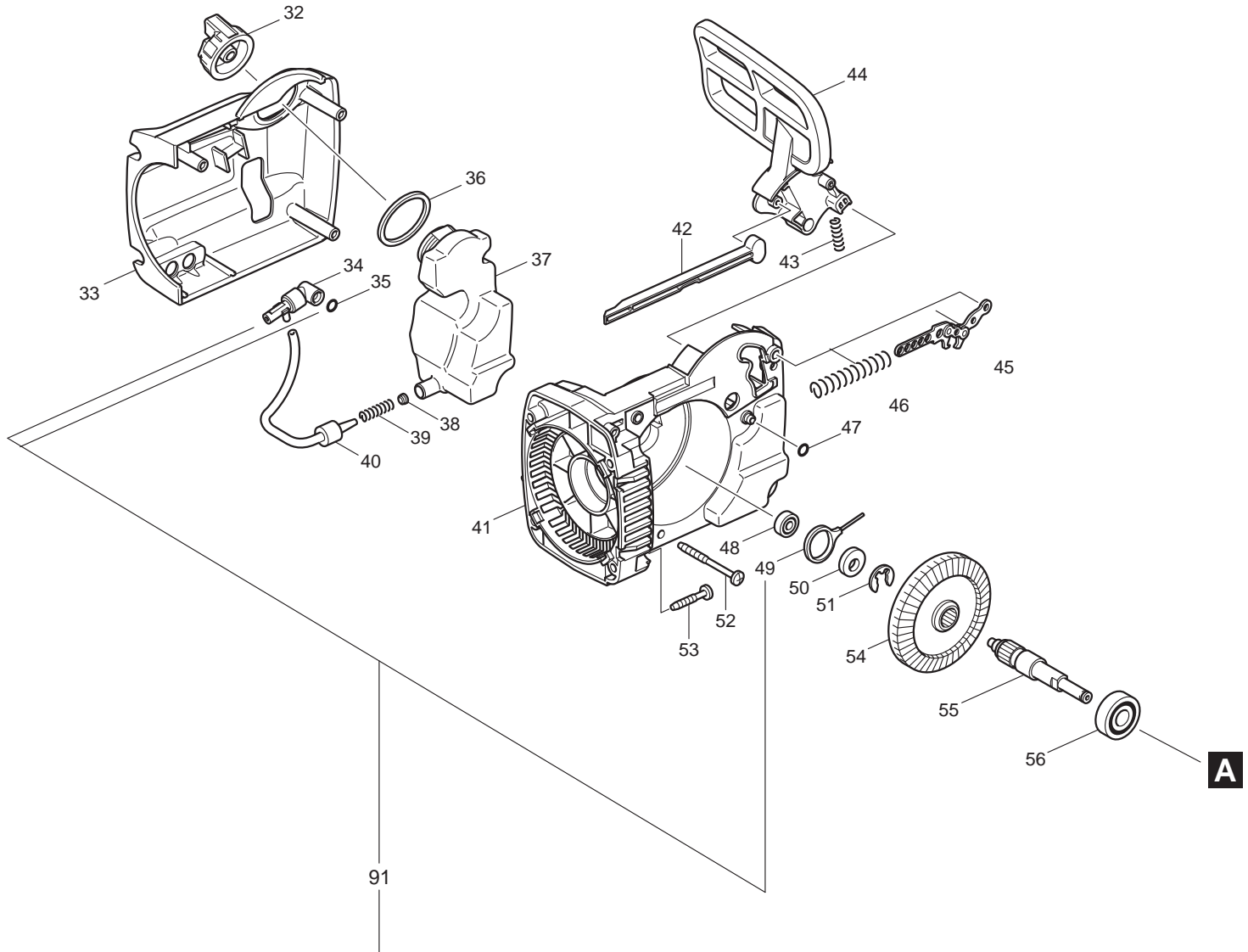


Fig No. 31, Oil Pump Complete Set, includes fig no. 34, 35, & 49

Repair Note:

Please check Name Plate, (fig no. 13) for country of origin.

Made in China saws can use fig no. 31, (Oil Pump Complete Set), or individual parts, fig no. 34, 35, & 49.

Saws made in Hamburg, Germany should use fig no. 31, (Oil Pump Complete Set), only. Fig no. 34, 35, & 49 cannot be replaced as individual parts.

