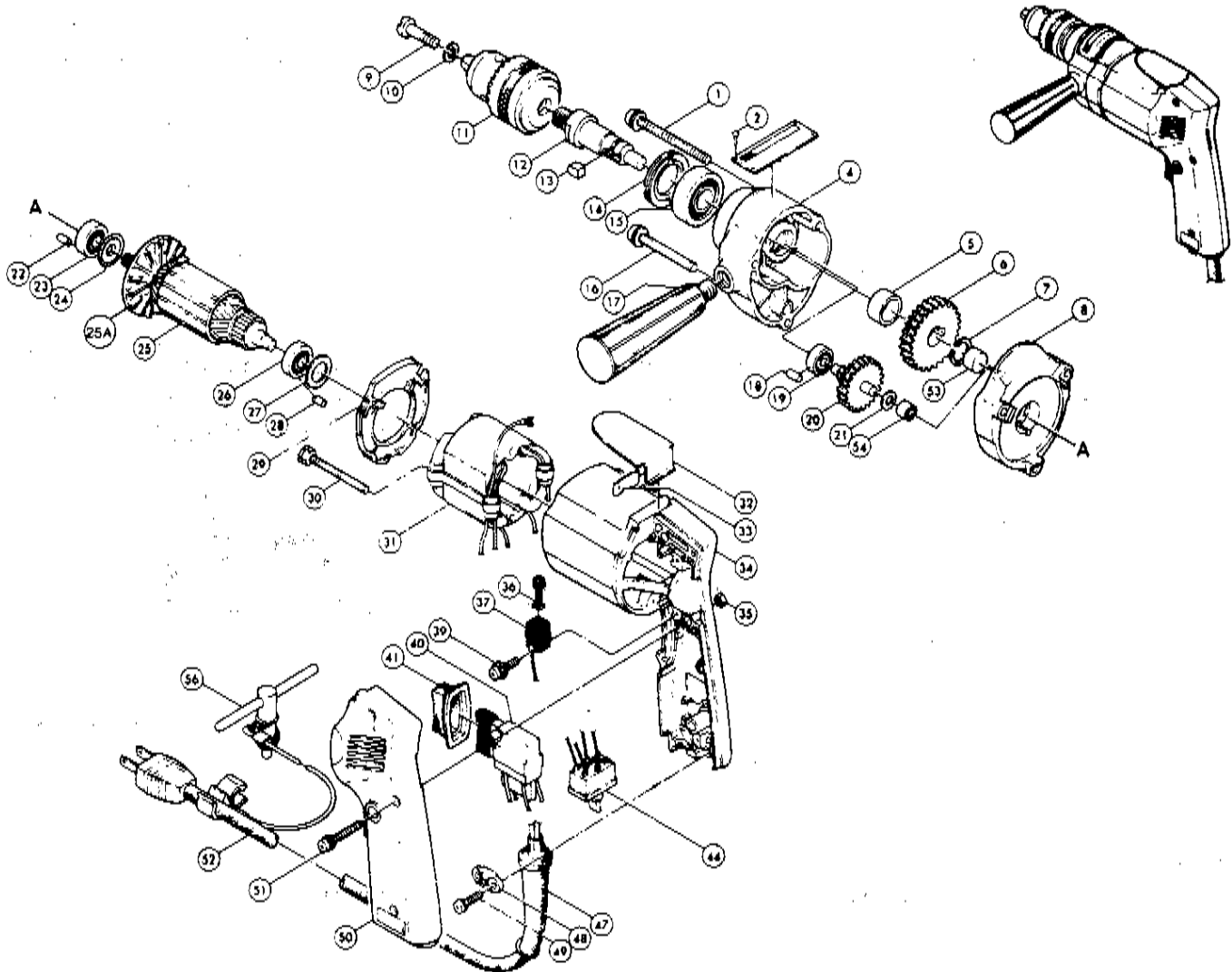


Makita

1/2" DRILL

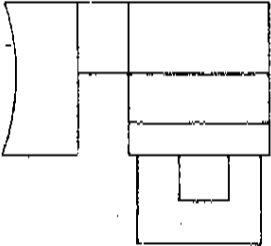
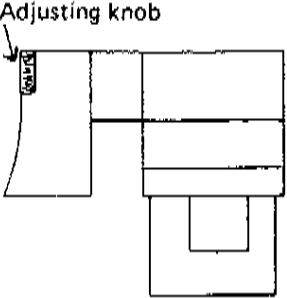
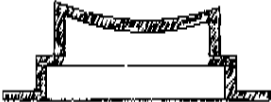
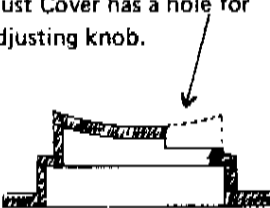
MODEL DP4700



Item No.	Part No.	No. Used	Description		Item No.	Part No.	No. Used	Description	
1	911288-6	2	SCREW	M5x65	26	211028-5	1	BALL BEARING	627LB
2	953106-2	4	RIVET		27	253192-6	1	WASHER	14
4	411584-7	1	GEAR HOUSING		28	263002-9	1	RUBBER PIN	4
5	257018-4	1	RING	15	29	411528-7	1	BAFFLE PLATE	
6	221261-1	1	SPUR GEAR		30	925183-4	2	HEX. BOLT	M4x55
7	961054-1	1	RETAINING RING	S-14	31	625096-6	1	FIELD	
8	411585-5	1	GEAR HOUSING COVER		32	342422-1	1	CALLY CLIP	
9	251425-3	1	SCREW	M6x22	33	232034-7	1	LEAF SPRING	
10	942151-2	1	SPRING WASHER	6	34	156482-5	1	MOTOR HOUSING	
11	763047-2	1	DRILL CHUCK		35	931102-0	3	HEX. NUT	M4
12	321082-2	1	SPINDLE	321082-2	36	643067-4	2	CARBON BRUSH	
13	254211-1	1	KEY		37	643552-4	2	BRUSH HOLDER	
14	285807-7	1	BEARING RETAINER		39	911124-6	2	SCREW	M4x14
15	211206-7	1	BALL BEARING	6202LLB	40	* *	1	SWITCH	
16	911273-9	1	SCREW	M5x50	41	* *	1	DUST COVER	
17	273405-9	1	GRIP		44	531003-8	1	REVERSING SWITCH	
18	263002-9	1	RUBBER PIN	4	47	682504-0	1	CORD GUARD	
19	211016-2	1	BALL BEARING	626LLB	48	687001-1	1	STRAIN RELIEF	
20	226044-4	1	GEAR		49	911131-9	2	SCREW	M4x18
21	253715-0	1	WASHER	6	50	155283-8	1	HANDLE COVER	
22	263002-9	1	RUBBER PIN	4	51	911153-9	3	SCREW	M4x28
23	211033-2	1	BALL BEARING	608LB	52	664013-1	1	CORD WITH PLUG	
24	213002-9	1	DUST SEAL	8	53	212004-2	1	NEEDLE BEARING	810
25	615111-4	1	ARMATURE (Includes Item No: 23, 24, 25A, 26)		54	212012-3	1	NEEDLE BEARING	609
25A	241811-6	1	FAN		56	783206-8	1	CHUCK KEY	

SERVICE CHANGE

1. Changes on SWITCH.

ITEM NO.	DESCRIPTION	TYPE 1	TYPE 2
40	Switch	 <p data-bbox="678 646 850 674">Part #651313-8</p>	 <p data-bbox="1076 342 1235 369">Adjusting knob</p> <p data-bbox="1117 646 1289 674">Part #651314-6</p>
41	Dust Cover	 <p data-bbox="695 1003 867 1031">Part #421144-7</p>	 <p data-bbox="1057 716 1325 772">Dust Cover has a hole for adjusting knob.</p> <p data-bbox="1117 1003 1289 1031">Part #421145-5</p>

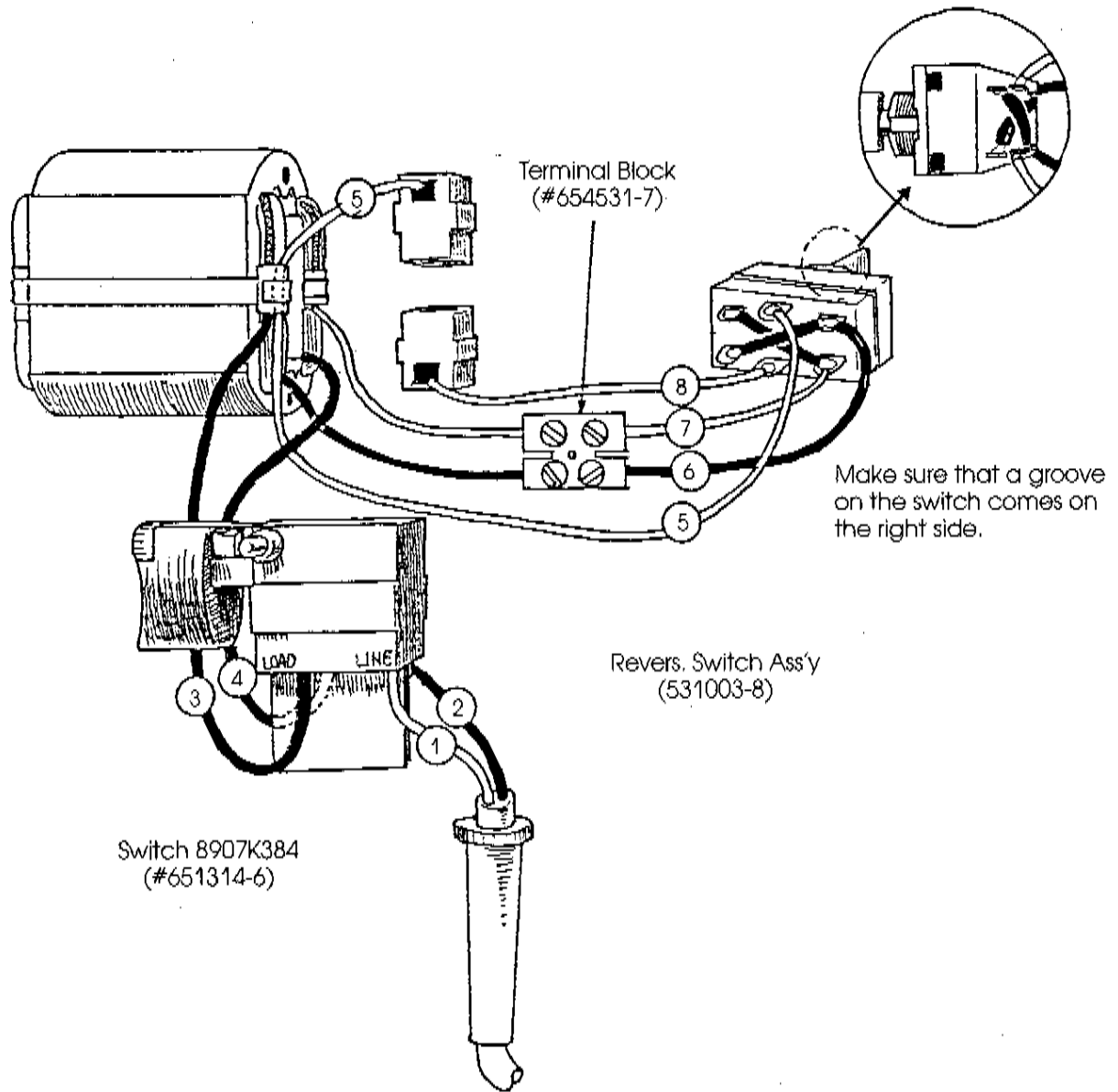
Above parts are interchangeable as a set.

SERVICE NOTE —

When you are replacing switch, make sure to replace it with a matched set of type 2 switch and dust cover.

Makita U.S.A., INC.

DP4700



Switch 8907K384
(#651314-6)

Revers. Switch Ass'y
(531003-8)

Wire No.	Wire Color	Origin
1	White	Cord
2	Black	Cord
3,4	Black	Field
5	Purple	Brush Holder to Revers. Switch
6	Black	Field to Revers. Switch (Through Terminal Block)
7	White	
8	Orange	Brush Holder to Revers. Switch

TECHNICAL INFORMATION

MAHOB-360-02 12-10-02



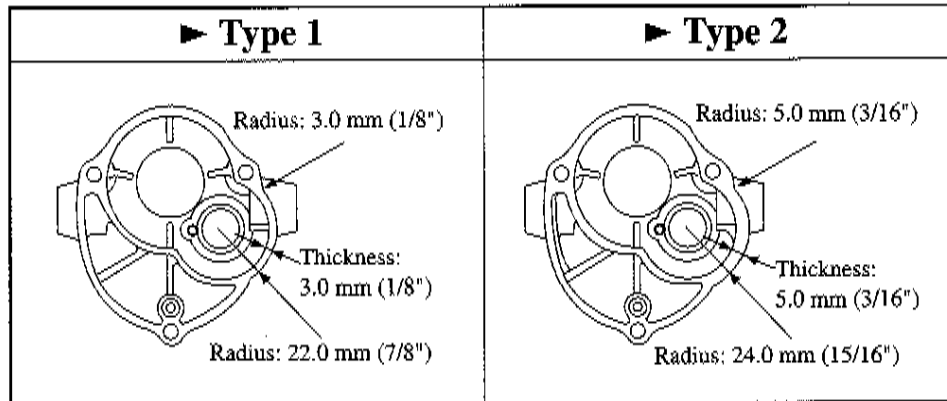
66905
IM-685-02

Subject ▶ Change of Gear Housing Complete, Gear Housing Cover Complete

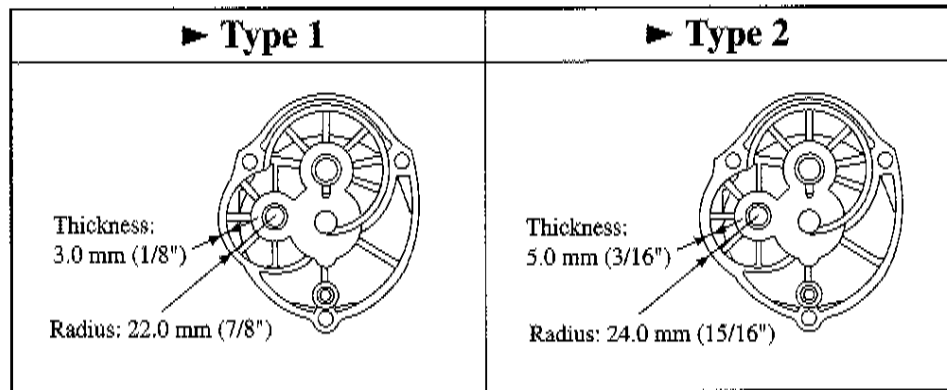
For Models ▶ DP4700

Description ▶ Gear Housing Complete and Gear Housing Cover Complete have been modified as illustrated below.

Gear Housing Complete



Gear Housing Cover Complete



Interchangeability(I/C)

Item No.	Type 1	Q'ty	I/C	Type 2	Q'ty	Note
010	Gear Housing Complete 411584-7 (Discontinued)	1	No	Gear Housing Complete 153551-3	1	Interchangeable as a set
015	Gear Housing Cover Complete 411585-5 (Discontinued)	1	No	Gear Housing Cover Complete 153552-1	1	

Implementation

From serial No.730537E (Aug.,2002)

New Parts List Price

Part # 153551-3	Gear Housing Complete	\$ 5.00
Part # 153552-1	Gear Housing Cover Complete	5.00